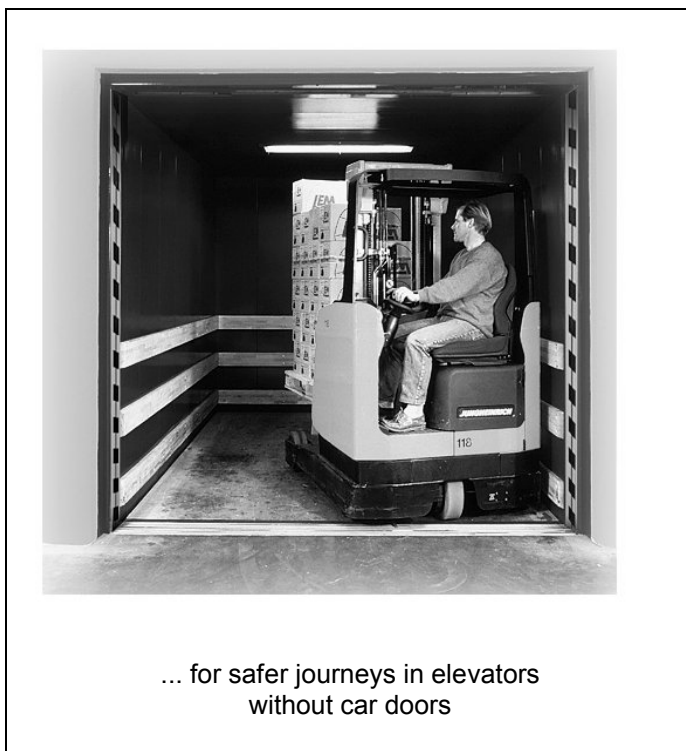


cegard/Lift LX/LY

Safety light curtain system for elevators without car doors

(non-contact protective device)

English
Deutsch



IMPORTANT NOTE

FOLLOW THE INSTRUCTIONS GIVEN IN THIS MANUAL CAREFULLY. FAILURE TO DO SO MAY CAUSE CUSTOMER COMPLAINTS AND SERIOUS CALL BACKS. KEEP INSTRUCTION MANUAL ON SITE.

Content

1.	Danger warning	3	7.	Commissioning	20
2.	Application	3	7.1.	General description	20
3.	Description of function	4	7.2.	Installation check	20
3.1.	Structure	4	7.3.	Function test	20
3.2.	Interface to elevator controller	4	7.3.1.	Test procedure	20
3.2.1.	Internal call signal / Reset signal	4	7.3.2.	Testing	21
3.2.2.	Latch power supply (Latch_In (Riegel_In))	5	8.	Display and operating elements	21
3.2.3.	Override delay and Option 2 (premature overriding)	5	8.1.	Tumbler switch on control unit plug-in	21
3.2.4.	Flush position (Testing)	5	8.1.1.	Normal operating mode	21
3.2.5.	Automatic start during power-up	5	8.1.2.	Operation with buzzer	21
3.2.6.	Safety circuit 1 and 2	5	8.1.3.	Test	21
3.2.7.	Latch output (Latch_Out (Riegel_Out))	5	8.2.	Tumbler switch on plug-in system controller (Service button)	21
3.3.	Timing diagrams	7	8.3.	"Status" output on control unit plug-in (Loading or door control)	21
3.3.1.	General timing diagram	7	8.4.	Display elements	22
3.3.2.	Timing diagram with premature door opening	8	8.5.	Display and operation in cabin interior ...	22
3.3.3.	Timing diagram without premature door opening	8	9.	Error diagnosis	23
3.4.	Description of light curtain component	9	9.1.	Plug-in system controller, interface for elevator control	23
3.4.1.	Calibration	9	9.2.	Control unit plug-in with optical strips	23
3.4.2.	Adjustment	9	9.2.1.	Control unit plug-in error diagnosis	24
3.4.3.	Reflection	9	10.	Regulations	24
4.	Installation	10	10.1.	Legislation and regulations	24
4.1.	Installation of opto edges	10	10.2.	Qualifications of skilled personnel	24
4.2.	Installation system control rack	10	10.3.	Periodic testing	24
4.3.	Flush mounting kit	11	10.4.	Reflection	24
4.4.	Surface mounting kit	11	10.5.	Cleaning the opto edges	24
5.	Connection configuration	12	11.	Decommissioning, repair and disposal	24
5.1.	cegard/Lift LX with latch contactor	13	11.1.	Decommissioning	24
5.2.	cegard/Lift LY with latch voltage rectifier	13	11.2.	Repair	24
6.	Switching examples	14	11.3.	Disposal	24
6.1.	Connecting a single-phase latch solenoid	14	12.	Technical Data	25
6.2.	Connecting a three-phase latch solenoid	14	13.	Order information	27
6.3.	Connecting two external output contactors to safety circuit	14	13.1.	System components	27
6.4.	Overriding the light curtain	14	13.2.	Replacement / Individual parts	27
6.4.1.	Connecting three internal call signal buttons	15	13.3.	Accessories	27
6.4.2.	Connecting a reset button	15	13.4.	Customer specific opto edge pairs	27
6.4.3.	Connecting the alarm transmitter	15	14.	Dimensional drawings	28
6.5.	Avoidance of errors	15	14.1.	System control rack housing	28
6.6.	Latch-stopping time following the ending of emergency stop via Reset	15	14.2.	Opto edges / Lift LX,LY (Part no. 101 072 & 101 073)	29
6.7.	Example 1 with cegard/Lift LX: Light curtain with dropped-out (released) latch solenoid actuation	16	A.	Certificates / Zertifikate	58
6.8.	Example 2 with cegard/Lift LX: Bypassed light curtain in floor zone	17	A.1.	Declaration of conformity / Konformitätserklärung	58
6.9.	Example 1 with cegard/Lift LY: Bypassed light curtain with dropped-out (released) latch solenoid actuation	18	A.2.	TÜV-Certificate / TÜV-Zertifikat	59
6.10.	Example 2 with cegard/Lift LY: Bypassed light curtain in the zone	19			

1. Danger warning



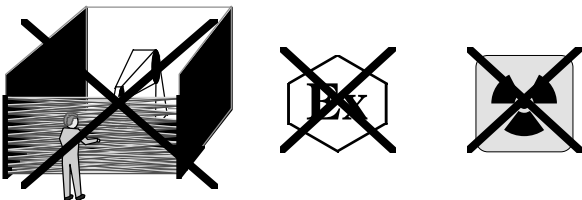
Warning

The light curtain should never be installed in the elevator control in a manner which allows the doors to be opened during an emergency stop caused by an interruption of the protective field in the unlocking zone. This results in a dangerous step. Please read the instructions in section 3.2.7.

If a person leaves the elevator car at this holding position without pressing the desired landing floor button again, with hydraulically driven elevators, there is still the danger that the elevator can slowly fall away from the holding position due to leakage of the elevator's hydraulic system. The next elevator user could fall into the cabin or the elevator shaft after the landing doors are opened.

This risk does not arise if the cegard/Lift is connected correctly.

Please check your installation in accordance with the specified criteria in section 9.



A safety light curtain for explosion hazardous areas is now available from CEDES. Enquire with your CEDES representative.

2. Application

The cegard/Lift light curtain serves to protect people in cargo and passenger elevators without elevator cage closure doors. The speed at which the elevator cage travels should not exceed 0.85 m/s (max. 0.63 m/s in Switzerland). All valid national regulations should be observed.

⚠ Important notices:

cegard/Lift is constructed exclusively for elevators, and should not be used in areas where there is a risk of explosion (EX-areas). However, a product specifically designed for use in such areas (Zone 2 and 22) is also available.

cegard/Lift carries out a self-test:

- Before each journey
- Every time a person or object interrupts the light curtain.

Every malfunction involving the opto edges, system control rack or incorrect wiring leads to a shutdown of the elevator system.

If an object causes an emergency stop by penetrating the protective field during the journey, it can be signalled either audibly or visually.

A journey interrupted by the safety equipment can only be continued after the protective zone is re-enabled by a new drive / journey command from the interior of the elevator cage.

Where an elevator has entrances on either side, both are simultaneously bypassed. This occurs regardless of whether there are one or two entrances to the elevator cabin on a floor.

cegard/Lift offers the following advantages:

- Also ideal for controlling automatic doors thanks to an additional output
- Cost effective
- Simple integration into almost all existing elevator control systems without additional travelling cables
- Simple, space-saving installation
- No setting or optical adjustment of the light curtain necessary
- Short installation time, can be easily carried out by just one single person
- Inexpensive alternative to elevator cage closure doors
- Monitoring of up to two elevator cabin entrances
- Large range and dense protective field
- Automatic start after power-up
- 8 isolated inputs for cabin call signals, 12 ... 265 VAC / DC

- ☑ Safety logics for the prevention of dangerous steps into the elevator
- ☑ System control rack IP54
- ☑ Opto-edge IP65; IP67 optional
- ☑ Actuation for load control display available as accessory

Assembly sets can be supplied as accessories which enable integration, installation and commissioning by a single installation fitter. The assembly kits also offer optimal protection from daily industrial use.

3. Description of function

3.1. Structure

The cegard/Lift control unit is mounted on the elevator car's roof using the enclosed mounting rails.

The block circuit diagram (Figure 1) shows the setup.

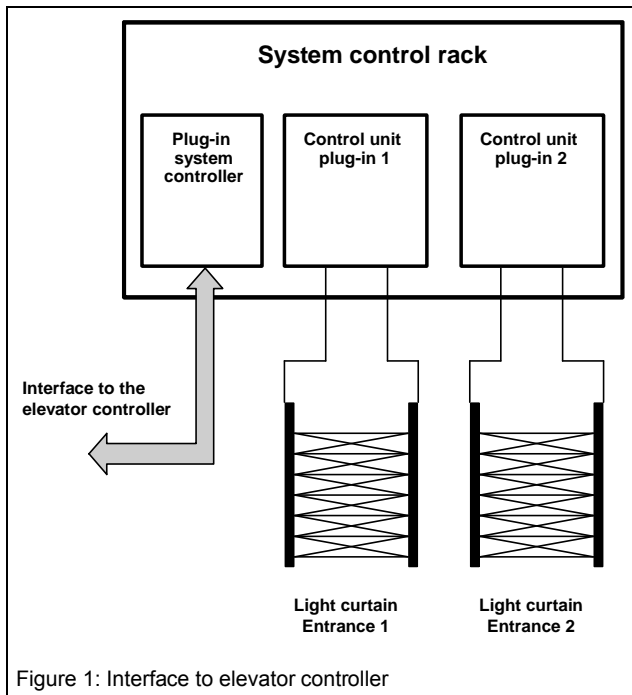


Figure 1: Interface to elevator controller

3.2. Interface to elevator controller

The following signals from the elevator controller are required for actuation:

- ☑ At least one **internal call** and / or reset signal from inside the elevator cabin (section 3.2.1)
- ☑ Latch power supply: **Latch_In (Riegel_In)** (section 3.2.2)
- ☑ Supply voltage of 230 VAC must be permanently supplied. (section 5.1)

Additional signals increase the elevator's level of comfort:

- ☑ Elevator shaft information (e.g. slower travel speed, zone signal) for early bypassing of the system (section 3.2.3)
- ☑ Signal for testing of the safety components of cegard/Lift (section 3.2.4)

The function of interface signals is described in detail in the following sections.

The plug-in system controller monitors the correct function of interface signals. The elevator is immediately shut down if an error is detected and an appropriate error message appears on the diagnosis display.

The polarity at connections is irrelevant when actuating internal call signals with AC voltage. Correct polarity should be ensured for all other signals (see also section 4.2. and 5.)

3.2.1. Internal call signal / Reset signal

- See also section 5: K7–K15

If an emergency stop is caused by the interruption of the light curtain, an **H** is displayed. The elevator can only be released from this emergency stop state by the pressing of a reset button from within the elevator car itself. There are eight independent reset inputs for this purpose. The journey can be continued if at least one of the inputs receives a negative or positive impulse (i.e. a reset button, for example, can be allocated to one of the internal call signals).

A call signal (and consequently, a test) during a journey does not adversely affect the function (i.e. safety contacts do not drop out (double or multiple start)).

Special operating mode:

The service button on the plug-in system controller provides the elevator fitter with the possibility to simulate an internal call signal during commissioning and inspection (after an emergency stop). This enables the safety contacts to be re-closed from the elevator cabin roof.

3.2.2. Latch power supply (Latch_In (Riegel_In))

- See also section 5: K24-K25

The latch power supply is used to enable transit and to unlock the door.

The bypassing of the light curtain is cancelled by the **Latch_In** latch power supply high signal, the **Latch_Out** output is switched through and the door is locked as a result. An **F** is displayed and every interruption of the light curtain now results in an emergency stop.

The latch circuit is described in section 6.

3.2.3. Override delay and Option 2 (pre-mature overriding)

- See also section 5: K18-K19 / K22-K23

The light curtain can be bypassed with the **Override delay (bypass delay)** and **Option 2** inputs. An **U** is displayed. Bypassing can begin before the Latch signal switches to low. The light curtain is then overridden if both inputs are Low:

Override delay	Option 2	Light curtain overriding
High	High	Inactive
Low	High	Inactive
High	Low	Inactive
Low	Low	Active

These signals should have changed status at least twice during a travel cycle (journey enabled - journey - stop at floor - journey enabled). If one of the signals remains low an error is interpreted and the elevator is shut down by breaking the safety contacts (see also section 9.1, error no. 5 and 6).

3.2.4. Flush position (Testing)

- see also section 5: K20-K21

Safe function of the output relays should also be checked, as these are located in the evaluation plug-in safety components in the elevator safety circuit. Testing of the plug-in system controller breaks the output contact for approx. 100 ms. This test is carried out after each elevator trip. The test timing can be controlled with the **Flush position (Bündigstellung)** input to avoid any influence on the elevator control system.

cegard/Lift offers three test control versions:

1. The output relays are automatically tested 5 seconds after **Latch_In (Riegel_In)** drops out, if the input remains broken. The test is carried out immediately if a travel command occurs during this time period.
2. The output relays are automatically tested 10 seconds after **Latch_In (Riegel_In)** drops out, if the input is under a permanent voltage of > 12 VAC / DC. The test is carried out immediately if a travel command occurs during this time period.

3. A test is carried out if the input is high in the neutral status (>12 VAC / DC) and receives a negative edge when **Latch_In (Riegel_In)** has dropped out. The timing of the test can thus be specified by the elevator control system (e.g. at flush position). It means, for example, that the **Latch_In** input will be frequently bypassed with the 'Flush' position input (Bündigstellung), which leads to a test immediately after the Latch signal switches to low.

3.2.5. Automatic start during power-up

cegard/Lift automatically carries out a self-test after a power cut and only closes the safety circuits when the test has been concluded successfully. cegard/Lift is ready for operation after the safety circuits are closed.

3.2.6. Safety circuit 1 and 2

- See also section 5: K28-K29 / K30-K31

One of these two contacts must be looped into the elevator safety circuit so that interruption of the light curtain or a malfunction will lead to a shutdown of the elevator.

External power contactors with positive-action contact sets can also be connected to a safety circuit output, and a single contact should be fed back from each of these (section 6.3).

These result in the following advantages:

- Switching of higher outputs
- Avoidance of internal safety contact overloading
- More secure circuits can be realized

3.2.7. Latch output (Latch_Out (Riegel_Out))

- See also section 5: K26-K27

A single-phase latch solenoid / motor can be connected to the K26 / K27 connections. Connection of **Latch_Out (Riegel_Out)** (in accordance with section 6) is essential with the cegard/Lift for safety reasons, as it effectively prevents the elevator leaving a floor and it also avoids a dangerous step into the elevator cabin from being created in the event of an interruption of the light curtain.

How is a step prevented? It is possible for the elevator to "slip" in the unlocking zone if an emergency stop is activated by an interruption of the light curtain shortly before reaching this zone. In such an instance, the cegard/Lift keeps the K26 / K27 contacts closed and the door remains locked, preventing any dangerous step. However, should this condition exist for a longer period it could lead to the destruction of the latch solenoid or motor. A maximum latch holding time of 10 min is defined precisely for this reason. **Latch_Out (Riegel_Out)** is adapted to **Latch_In (Riegel_In)** after this time period expires. However, the elevator remains in the emergency stop status.

⚠ Important notice:

The elevator can only be released from its emergency stop status via an internal call signal (the reset button) from within the elevator car itself.

When the emergency stop status has been exited via a Reset, the cegard/Lift offers three options: (Internal Jumper, see section 6.6):

1. Setting:

Latch_Out (Riegel_Out) remains active for a maximum of ten minutes.

The elevator has to travel to another floor before it can proceed to the selected floor.

2. **Latch_Out (Riegel_Out)** drops out with a delay of 2.5 seconds. **Latch_Out (Riegel_Out)** succeeds **Latch_In** if **Latch_In (Riegel_In)** is high during these 2.5 seconds.
3. As in 2. but with a 10 second delay.

The 2.5 secs and 10 secs settings can only be selected for elevators equipped with relevelling; otherwise a dangerous step could result.

Two cegard/Lift versions are available to provide the **Latch_Out (Riegel_Out)** output for different elevator types:

Version LX (with latch contactor)

A power contactor is connected in series to the **Latch_Out (Riegel_Out)** output in this version. This can directly actuate three-phase latch motors (see also section 5.1).

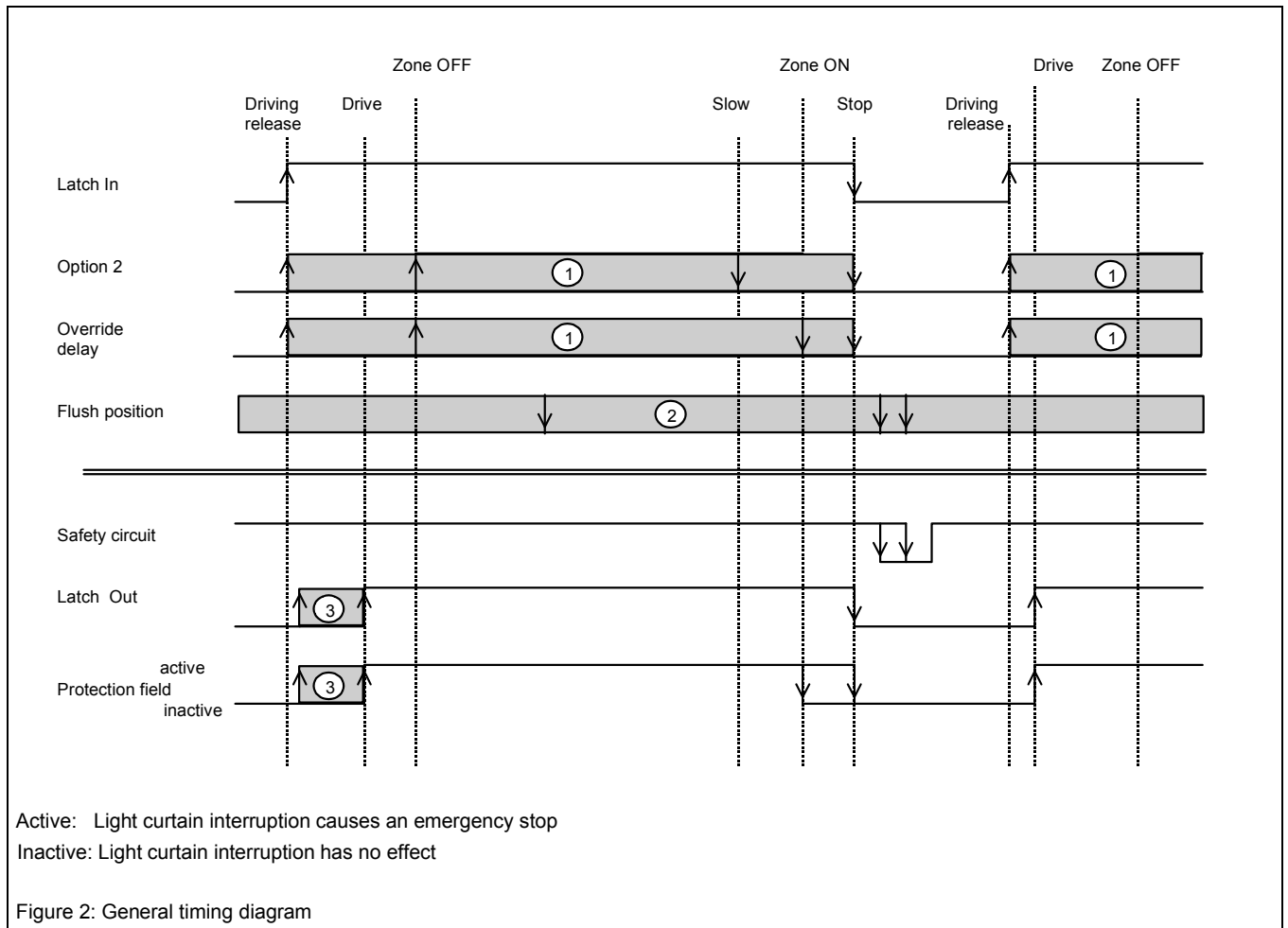
Version LY (with rectifier)

A rectifier module is connected in series to the **Latch_Out (Riegel_Out)** output in this version. This can directly actuate a D.C. latch solenoid (from 180 VDC) (see also section 5.2).

In order to ensure the Latch control operates properly, the use of a contactor or rectifier is recommended. The Latch should never be connected directly via the K26 and K27 contacts as this can interfere with the internal relay.

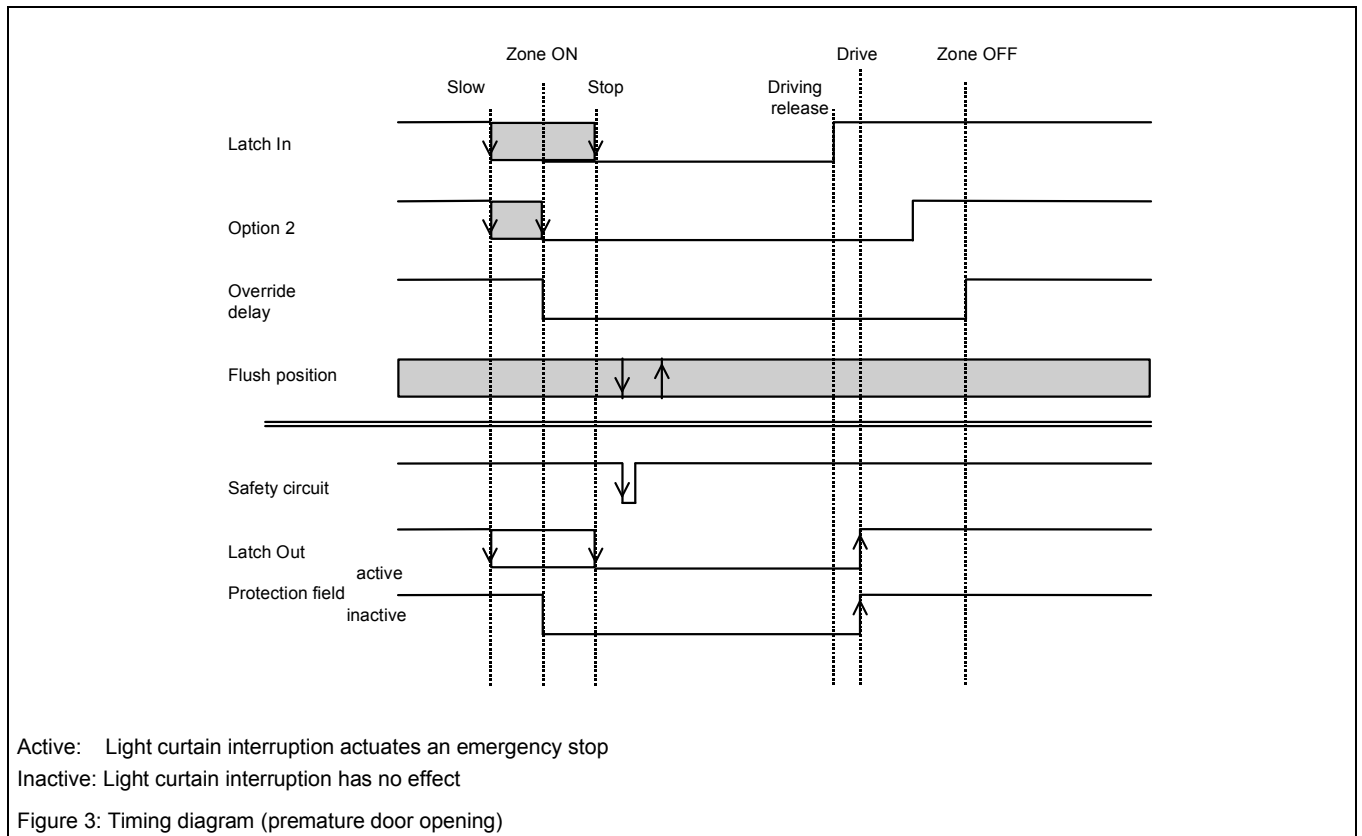
3.3. Timing diagrams

3.3.1. General timing diagram

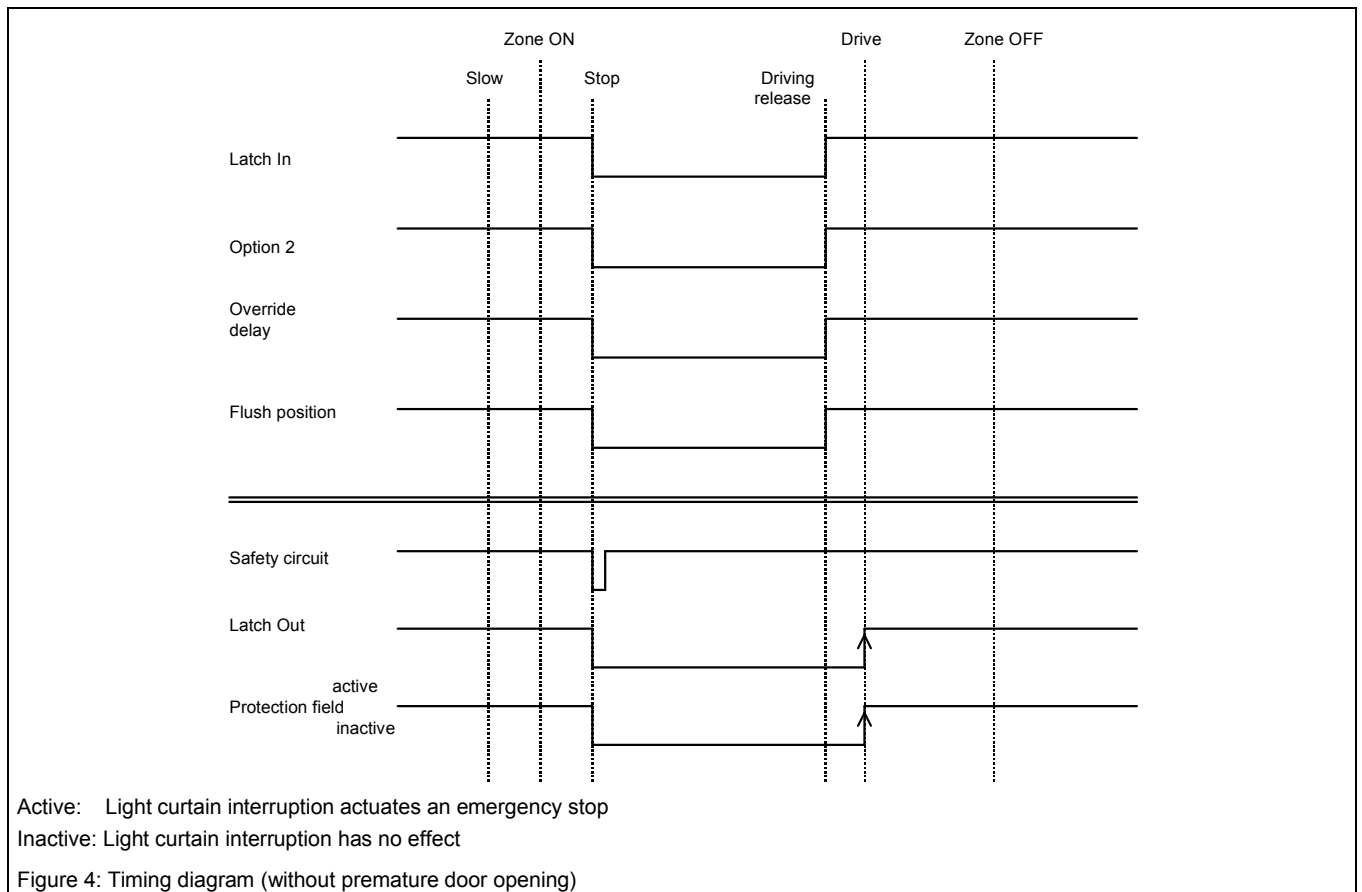


- ① A change of status of one of these two signals during a journey does not influence the system function. Light curtain overriding only occurs if both signals are low.
- ② A change of status of this signal during a journey does not influence the system function. It is used to test the safety circuit when the latch has dropped out. The following three versions are possible:
- ③
 1. The output relays are automatically tested 5 seconds after Latch_In (Riegel_In) drops out if the input remains broken. The test is carried out immediately if a travel command occurs during this time period.
 2. The output relays are automatically tested 10 seconds after Latch_In (Riegel_In) drops out if the input is under a permanent voltage of > 12 VAC / DC. The test is carried out immediately if a travel command occurs during this time period.
 3. A test is carried out if the input is high in the neutral status (> 12 VAC / DC) and receives a negative edge when Latch_In (Riegel_In) has dropped out. The timing of breaking the safety circuit can thus be specified by the elevator controller (e.g. at flush position).

3.3.2. Timing diagram with premature door opening



3.3.3. Timing diagram without premature door opening



3.4. Description of light curtain component

cegard/Lift functions like a through-beam sensor. It consists of an emitter edge which emits a multitude of individually-pulsed infrared light beams (Figure 5).

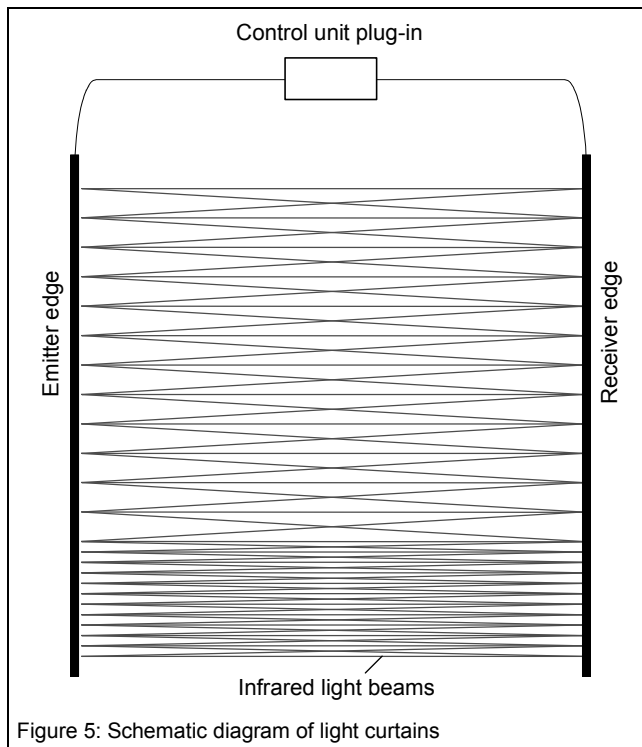


Figure 5: Schematic diagram of light curtains

These light beams are received by the receiver edge, converted to electrical signals and transmitted to the control unit plug-in. This signals the interruption of a light beam to its outputs.

3.4.1. Calibration

During calibration the control unit plug-in measures the transmission output required for each individual light beam to actuate the respect receivers. The value determined in this test is increased by approx. 100% and saved for normal operation. Calibration substantially prevents all too common reflection in through-beam sensor systems, replacing the bundling (concentration) of the optical aperture angle usual in other light barrier systems. This greatly simplifies the installation / adjustment of optical strips.

The calibration procedure takes between 0.5 and 2 seconds, depending on the distance from the emitter and receiver edges. Calibration is carried out during activation and by pressing the “T” button on the control unit plug-in. The control device automatically carries out a calibration if no change occurs in the protective field during a period of 30 minutes. Extensive changes in light intensity (e.g. due to cleaning, etc.) are identified within 3 seconds and calibrated.

3.4.2. Adjustment

No adjustments are necessary, thanks to the size of the aperture angle of the optical elements used in the cegard/Lift light curtain, provided the receiver edge is within the aperture angle of the emitter edges, and vice-versa (Figure 6).

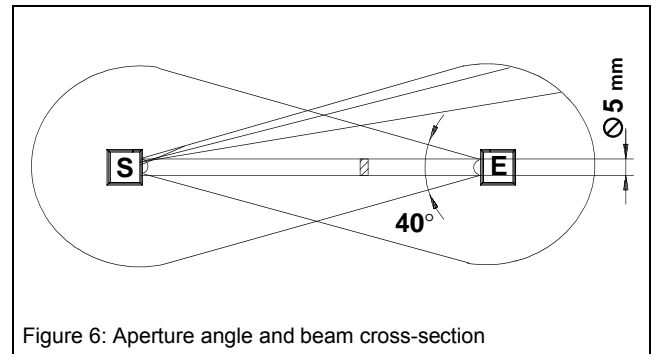


Figure 6: Aperture angle and beam cross-section

3.4.3. Reflection

Reflections occur if reflective surfaces are located directly opposite or in the vicinity of the monitoring level, e.g. a tiled shaft wall (see Figure 7).

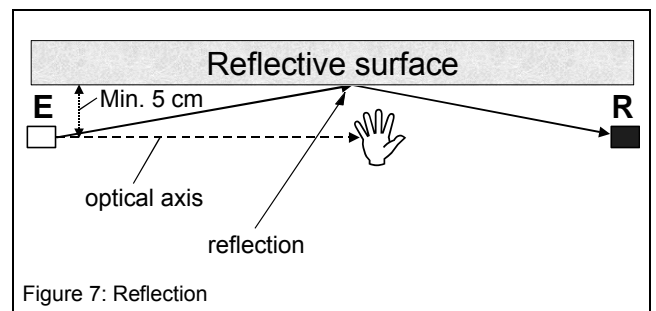


Figure 7: Reflection

These reflections are eliminated to a large extent by **calibration**, the use of the CEDES **installation kit** and adherence to **minimum distances**.

The optical axis should be a minimum distance of 5 cm from the edge of the cabin.

4. Installation

4.1. Installation of opto edges

The following should be observed in general:

- ☑ Do not mount the emitter and receiver edges twisted through 180° (e.g. the opto edges' connection cables **must** be conveyed upwards).

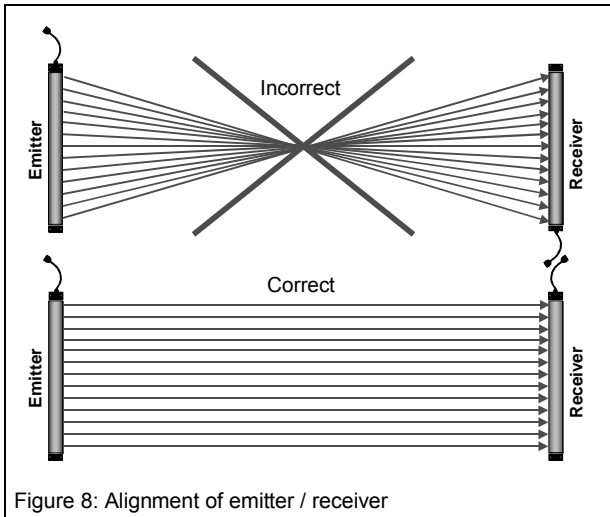


Figure 8: Alignment of emitter / receiver

- ☑ Do not bend or warp the opto edges. Opto edges should never be subject to torsion forces.
- ☑ Opto edges should be at least 5 cm from the edge of the cabin
- ☑ The connection cable should not be under tension and should not be crushed.
- ☑ The connection cable should be well laid and secured. It should not be in continuous motion or rub against other objects.
- ☑ Avoid dirt and scratches.
- ☑ Fasten the opto edges securely with the screws provided. If need be, the screws can be secured against loosening using the usual methods.
- ☑ Ensure that the emitted light beams of one system are not directed at the receiver edge of another when using several light curtains close together. Light curtains can influence each other under certain circumstances. The emitter and receiver edges must be arranged on alternating sides in through-loading elevators for this reason.

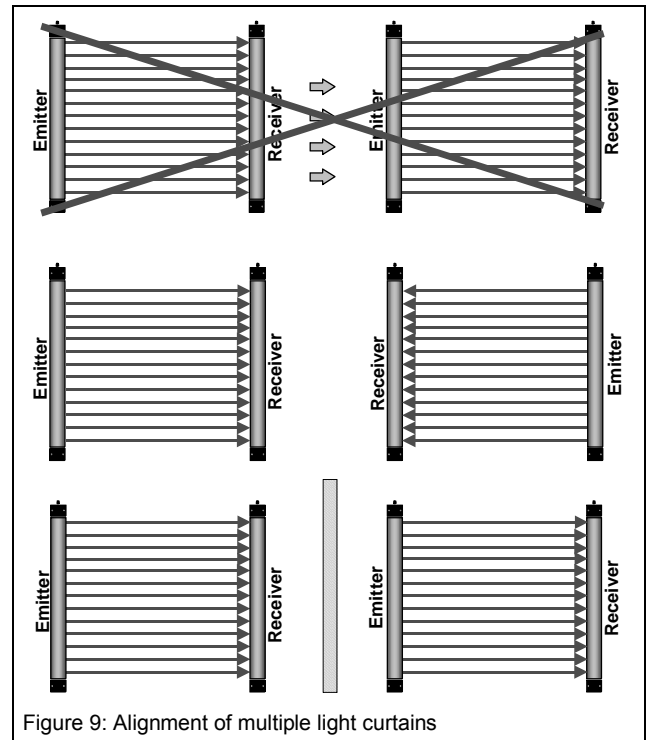


Figure 9: Alignment of multiple light curtains

The opto edges are provided with double-sided adhesive tape to aid installation and fixing for both flush mounting and surface installations. These should be used in conjunction with screws.

For installation purposes, we recommend either the **CEDES flush mounting kit** or its **surface mounting counterpart**. These make installing the opto-edges quick and easy and their side covers help prevent reflection (see also 4.3 & 4.4).

4.2. Installation system control rack

The system is located in a control cabinet and is fixed to the cabin roof with the 4 screws provided or the 2 support strips included in the delivery.

⚠ It is imperative that the following be observed:

- ☑ Connections K18, K20, K22 and K24 should be actuated with the positive signal pole (with direct voltage), connects K19, K21, K23 and K25 with the negative pole (see section 5, Connection configuration).
- ☑ The latch solenoid / motor is operated by the controller.
- ☑ Vibration should be reduced as much as possible and the installation should be stable and rigid.
- ☑ The cable inlet sleeves should be used correctly for IP54 density. The four rubber packing glands on the right side are for the connection cables for the opto edges, the four cable screw fittings on the left being for the elevator control system connection cables.

- ☑ Do not plug in or unplug any energized connection plugs into the control unit plug-in. The device or the opto edges can be destroyed.
- ☑ The elevator control system can not be capable of generating or influencing internal call signals.
- ☑ No external call signals should be linked to internal call signals.
- ☑ The system must be **grounded**. The “earth” connection should form a low-resistance connection $\leq (10 \Omega)$ with the ground. Correct grounding of opto edges is achieved automatically during installation.

4.3. Flush mounting kit

A guard plate is mounted on the inside of the cabin. The opto edges are mounted on the outside of the cabin (CEDES Part No.: 100 847).

4.4. Surface mounting kit

If there is not enough space on the outside of the cabin for the opto edges to be mounted there, they can also be installed on the inside of the cabin using the surface mounting kit. There is a loss of approximately 10 cm from the elevator cabin opening (CEDES part no.: 100 848).

Each mounting kit comes with a detailed manual

5. Connection configuration

⚠ Important safety notice:

The units should only be connected when de-energized!

K1-K2	Emergency stop alarm detector
K3-K4	Contact feedback for external latch contactor. These connections should be bypassed if an external contactor is not used.
K5-K6	Contact feedback for external safety circuit contactor. These connections should be bypassed if an external contactor is not used.
K7	Internal call signal 1, 12 ... 265 VAC / DC
K8	Internal call signal 2, 12 ... 265 VAC / DC
K9	Internal call signal 3, 12 ... 265 VAC / DC
K10	Internal call signal 4, 12 ... 265 VAC / DC
K11	Internal call signal 5, 12 ... 265 VAC / DC
K12	Internal call signal 6, 12 ... 265 VAC / DC
K13	Internal call signal 7, 12 ... 265 VAC / DC
K14	Internal call signal 8, 12 ... 265 VAC / DC
K15	Internal call signals, common potential
K16-17	Option 1 (not used)
K18-19	Option 2, 12 ... 380 VAC / DC*
K20-21	Flush position, 12 ... 380 VAC / DC*
K22-23	Override delay 12 ... 380 VAC / DC*
K24-25	Latch In, 12 ... 380 VAC / DC*
K26-27	Latch Out (Relay-closing contact)
K28-29	Safety circuit 1. The circuit is closed if no error is evident and the system has been started ("Safety circuit LED" illuminates), isolated.
K30-31	Safety circuit 2, otherwise as safety circuit 1.
K32,K33	230 VAC, phase / PEN conductor
K34	Protective earth

*Note polarity when actuating with direct voltage (see also section 3.4)

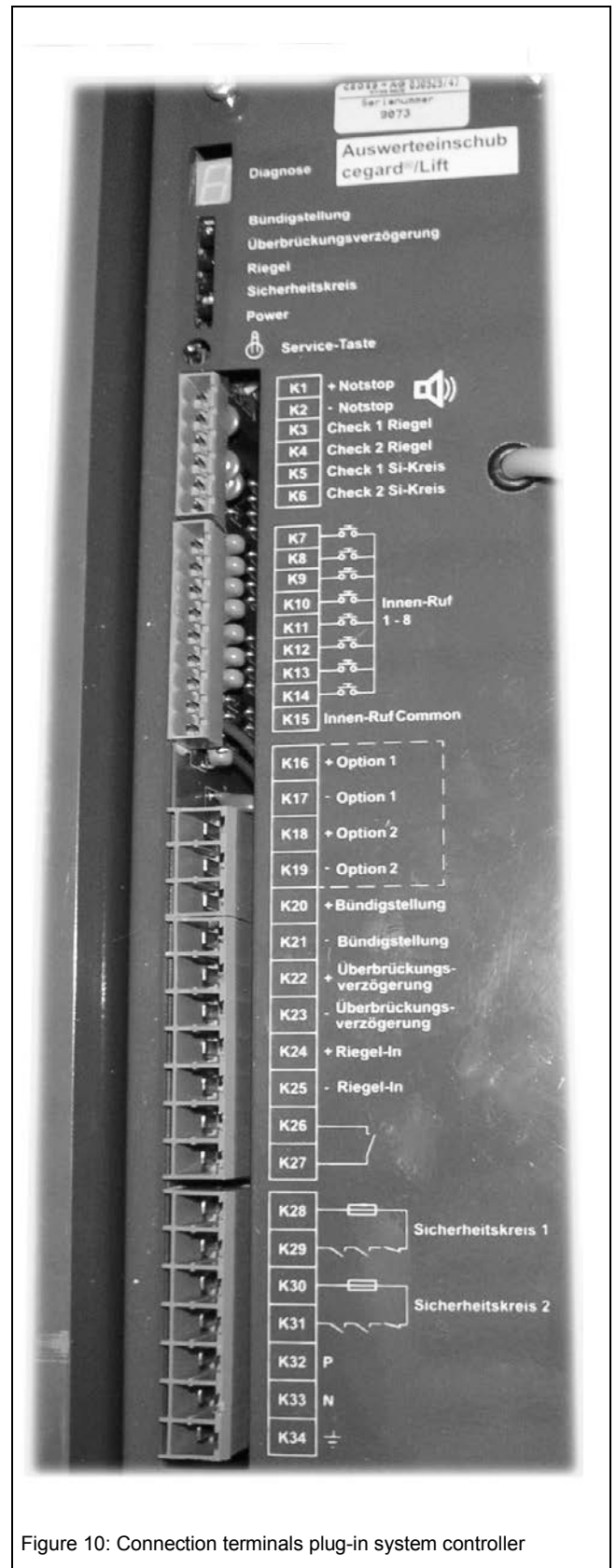


Figure 10: Connection terminals plug-in system controller

5.1. cegard/Lift LX with latch contactor

The **LX** version is fitted with a standard contactor with positive-action contacts, allowing the connection of larger latch motors or latch solenoids. The following circuit diagram clearly illustrates the connection:

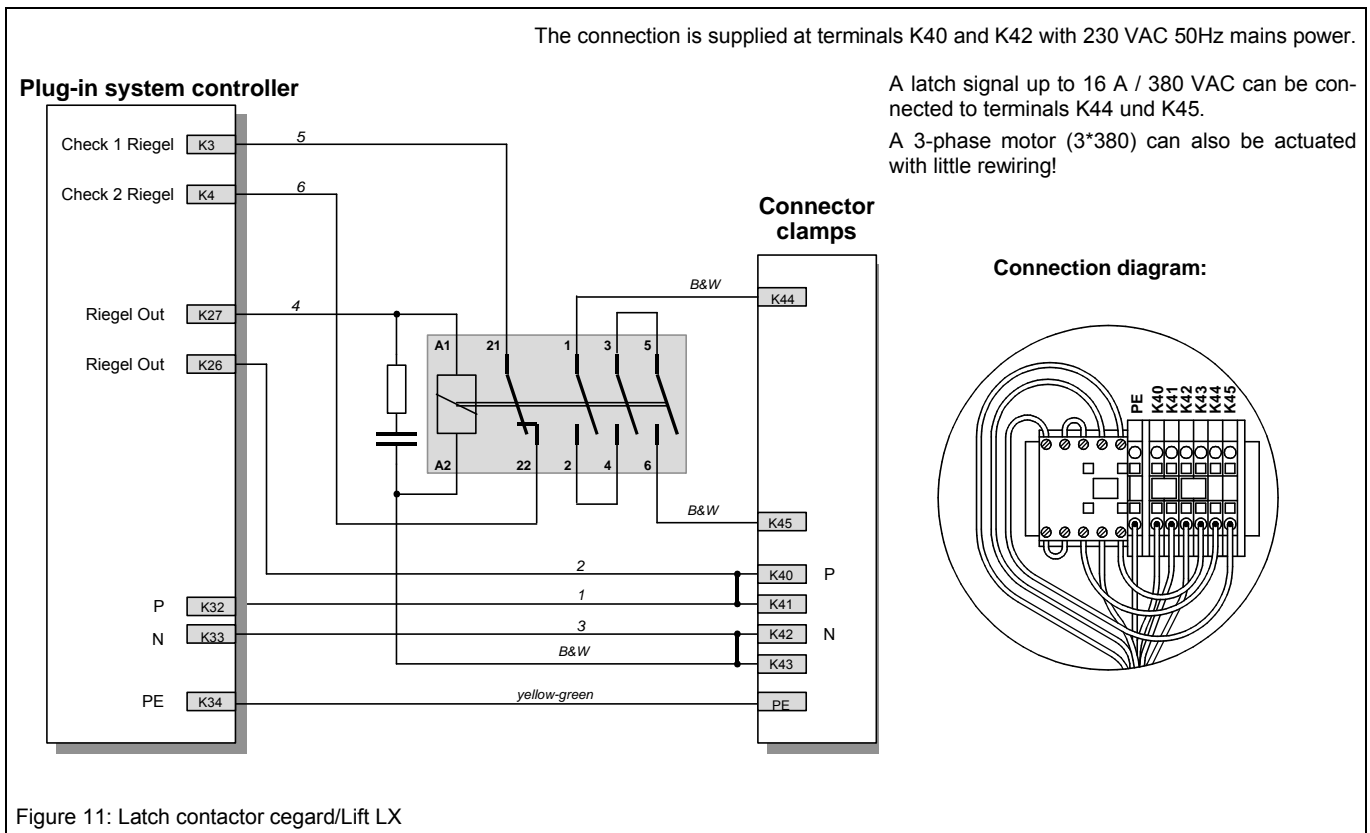


Figure 11: Latch contactor cegard/Lift LX

5.2. cegard/Lift LY with latch voltage rectifier

The **LY** version is fitted with a standard rectifier, allowing the connection of direct current latch motors or latch solenoids (from 180 VDC). The following circuit diagram clearly illustrates the connection:

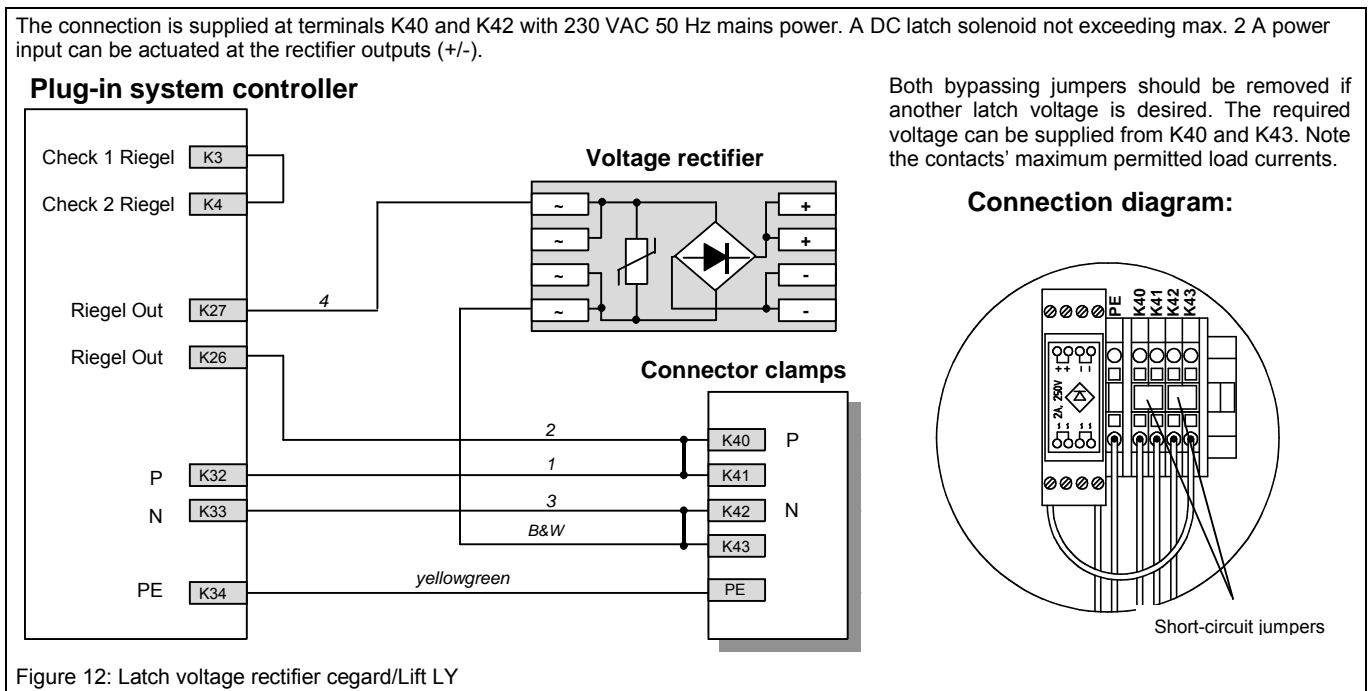


Figure 12: Latch voltage rectifier cegard/Lift LY

6. Switching examples

Ensure that suitable interference suppression is provided when connecting the latch drive and external output contactors (RC elements or rapid recovery diodes directly via inductors).

6.1. Connecting a single-phase latch solenoid

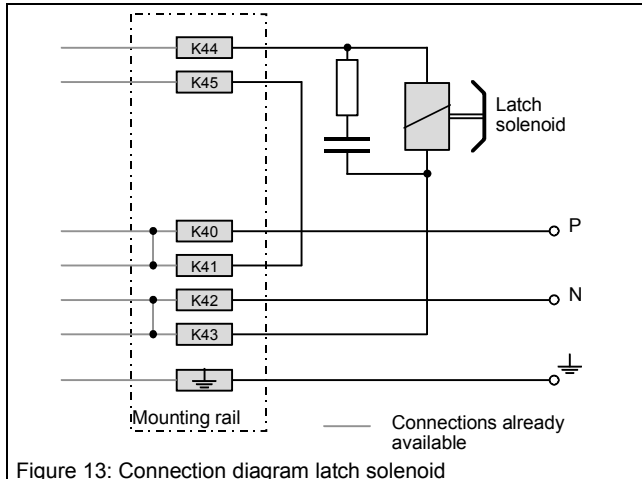


Figure 13: Connection diagram latch solenoid

6.2. Connecting a three-phase latch solenoid

A three-phase latch motor can be simply connected by changing the standard wiring of the cegard/Lift LX. The following existing connections should be (starting from the situation in figure 11) removed: Contactor 2-4, contactor 3-5, contactor 1-K44, contactor 6-K45. The wiring should be subsequently supplemented in accordance with the diagram below.

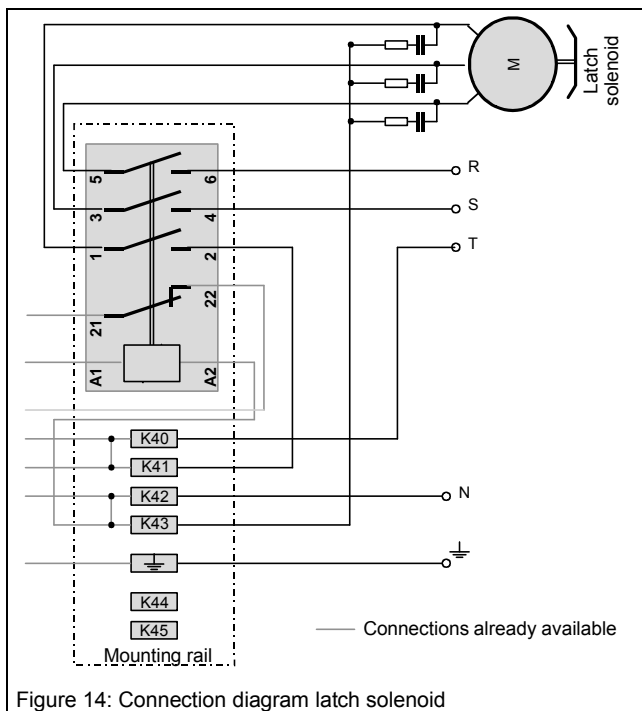


Figure 14: Connection diagram latch solenoid

6.3. Connecting two external output contactors to safety circuit

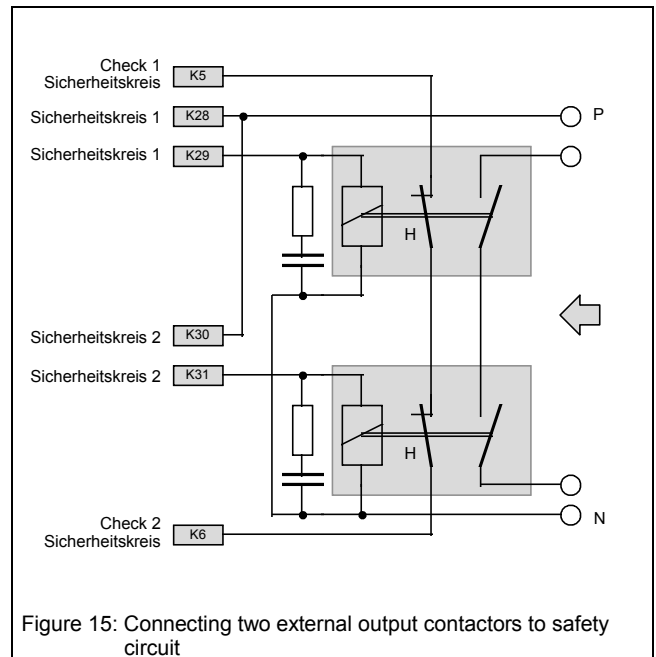


Figure 15: Connecting two external output contactors to safety circuit

6.4. Overriding the light curtain

The light curtain is overridden if the **Override delay (Überbrückungsverzögerung)** and **Option 2** inputs switch from High to Low when the elevator arrives at a floor. The **Override delay (Überbrückungsverzögerung)** and **Option 2** inputs can be connected parallel with the **Latch_In (Riegel_In)** input if required.

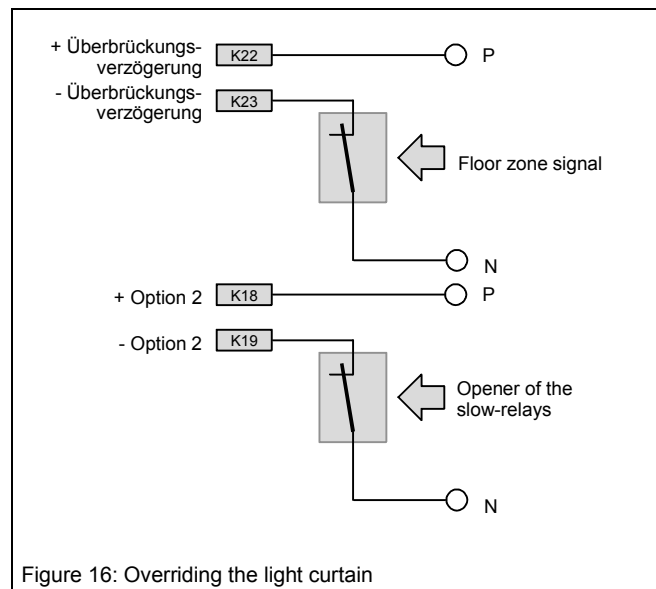


Figure 16: Overriding the light curtain

6.4.1 Connecting three internal call signal buttons

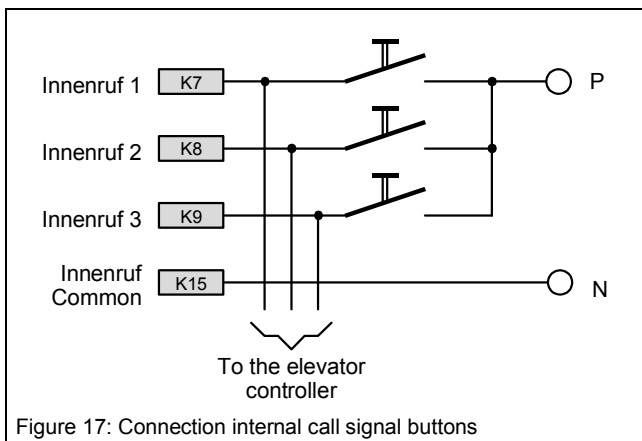


Figure 17: Connection internal call signal buttons

Internal call signal commands can be allocated to the existing internal call signal buttons, as the inputs for internal call signals are impulse edge-triggered and react to both positive and negative edges. Signal polarity is irrelevant here.

6.4.2. Connecting a reset button

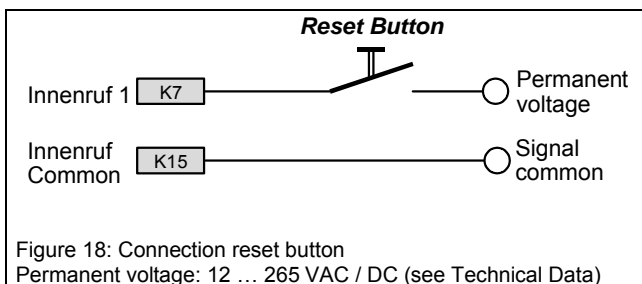


Figure 18: Connection reset button
Permanent voltage: 12 ... 265 VAC / DC (see Technical Data)

6.4.3 Connecting the alarm transmitter

Prewired alarm transmitters can be ordered from CEDES (CEDES part no.: 100 849)

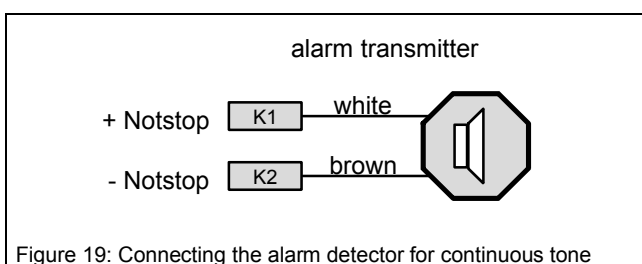


Figure 19: Connecting the alarm detector for continuous tone

Connecting the alarm transmitter for intermittent tone:

For interval tone the two wires are swapped. (K1: brown, K2: white)

6.5. Avoidance of errors

The following control inputs are high-resistant to enable their actuation over a broad voltage range:

- Latch_in (Riegel_In)
- Override delay (Überbrückungsverzögerung)
- Flush position (Bündigstellung)
- Option 2
- Internal call signal 1-8 (Innenruf 1-8)

Signals created by capacitive or inductive coupling can, as a result, lead to errors. It is particularly important to ensure that the low level at these inputs is less than 5 Volt in every case (even for short periods of time). Otherwise these cannot be clearly identified as low and, as a consequence, can lead to errors.

Errors of this nature can be avoided by implementing the following measures:

- Uncouple signals via additional relays
- Load the inputs with resistance:

for DC voltage 24 ... 110 V	R = 47 kΩ / 0.6 W
for AC voltage 230 V	R = 120 kΩ / 0.6 W
for AC voltage 380 V	R = 500 kΩ / 0.6 W
- Inputs should be loaded simultaneously with relays or contactors

6.6. Latch-stopping time following the ending of emergency stop via Reset

A plug-in jumper is fitted to the plug-in system controller PCB and can be used to set the latch-stopping time after the elevator has been released from its emergency stop status. The stopping time can be set to:

- 2.5 seconds
- 10 seconds
- 10 minutes (factory settings)

The versions (2.5 s, 10 s) **should only** be selected for **elevators with relevelling**, as a dangerous step can otherwise be created (see also chapter 3.2.7).

⚠ Important safety notice:

Changes to this setting should only be carried out when the system is de-energized. Furthermore, the plug-in system controller should be unscrewed from the housing after deactivating the mains power supply and all energized connections. The correct position of the jumper is indicated on a sticker on the PCB.

6.7. Example 1 with cegard/Lift LX: Light curtain with dropped-out (released) latch solenoid actuation

This example shows a simple variant, illustrating how the cegard/Lift LX can be integrated in a system without premature door opening.

⚠ Important safety notice:

Mains power must also be available during a safety circuit interruption. Internal call signals (Innenrufe) must also be possible during a safety circuit interruption.

Cross reference: See section 3.3.3 for timing diagram

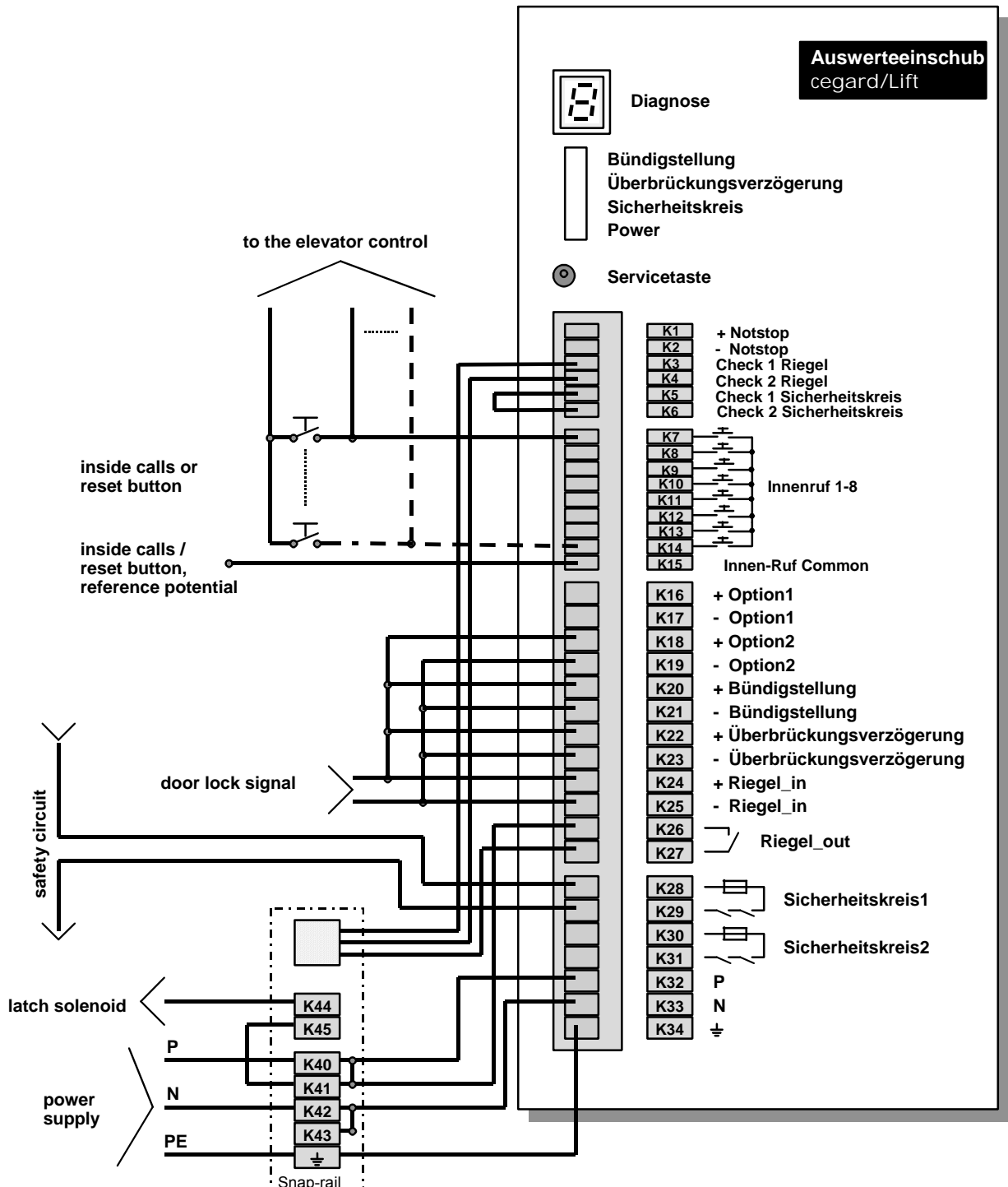


Figure 20: Connection diagram without premature door opening

6.8. Example 2 with cegard/Lift LX: Bypassed light curtain in floor zone

This example shows another variant, illustrating how the cegard/Lift LX can be integrated in a system. The difference to example 1 is that the light curtain is bypassed somewhat earlier. The light curtain is thus overridden 10 cm prior to the flush position in the case of an elevator with a landing zone of ±10 cm. This variant is recommended, as many elevator users try to open the door while travelling slowly. This connection does not trigger an emergency stop under the conditions described, provided the elevator is already within the floor zone.

⚠ Important safety notice:

Mains power must also be available during a safety circuit interruption. Internal call signals (Innenrufe) must also be possible during a safety circuit interruption.

Cross reference: See section 3.3.2 for timing diagram

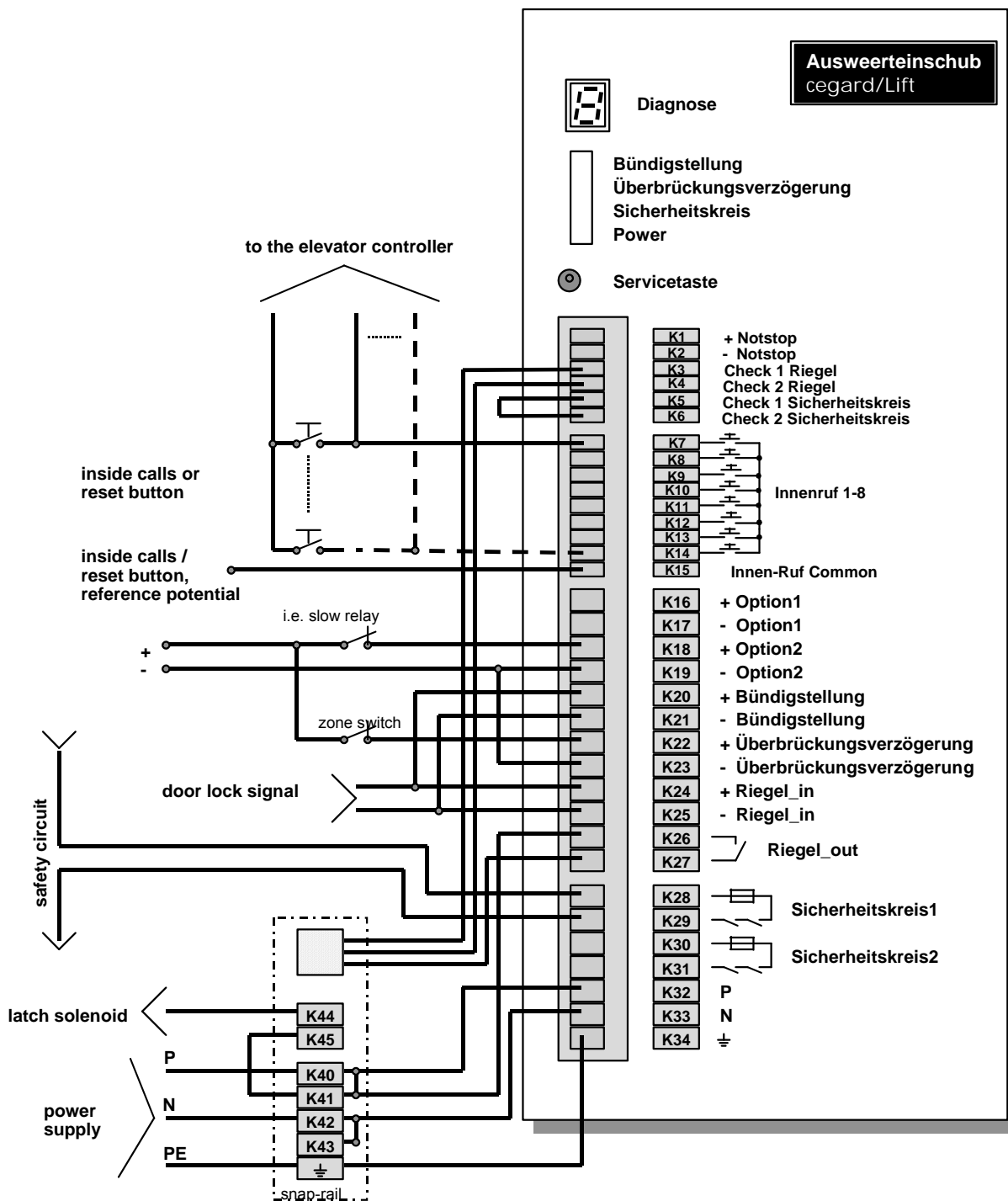


Figure 21: Connection diagram for early override

6.9. Example 1 with cegard/Lift LY: Bypassed light curtain with dropped-out (released) latch solenoid actuation

This example shows a simple variant, illustrating how the cegard/Lift LY can be integrated in a system without premature door opening.

⚠ Important safety notice:

Mains power must also be available during a safety circuit interruption. Internal call signals (Innenrufe) must also be possible during a safety circuit interruption.

Cross reference: See section 3.3.3 for timing diagram

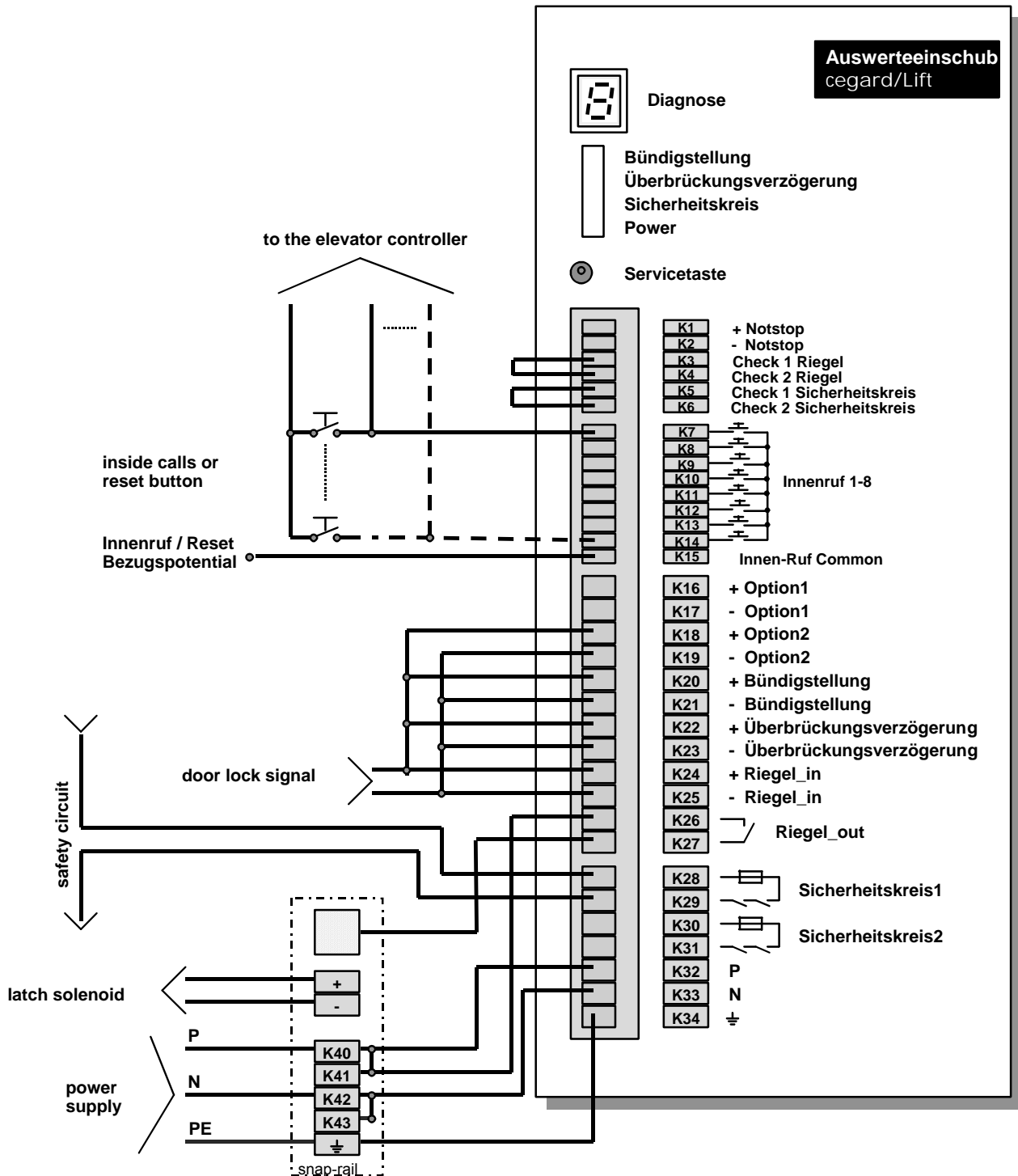


Figure 22: Connection diagram without premature door opening

6.10. Example 2 with cegard/Lift LY: Bypassed light curtain in the zone

This example shows another variant illustrating how the cegard/Lift LY can be integrated in a system. The difference to example 1 is that the light curtain is bypassed somewhat earlier. The light curtain is thus overridden 10 cm prior to the flush position in the case of an elevator with a zone of ±10 cm. This variant is recommended, as many elevator users try to open the door while travelling slowly. This connection does not trigger an emergency stop under the conditions described, provided the elevator is already within the floor zone.

⚠ Important safety notice:

Mains power must also be available during a safety circuit interruption. Internal call signals (Innenrufe) must also be possible during a safety circuit interruption.

Cross reference: See section 3.3.2 for timing diagram

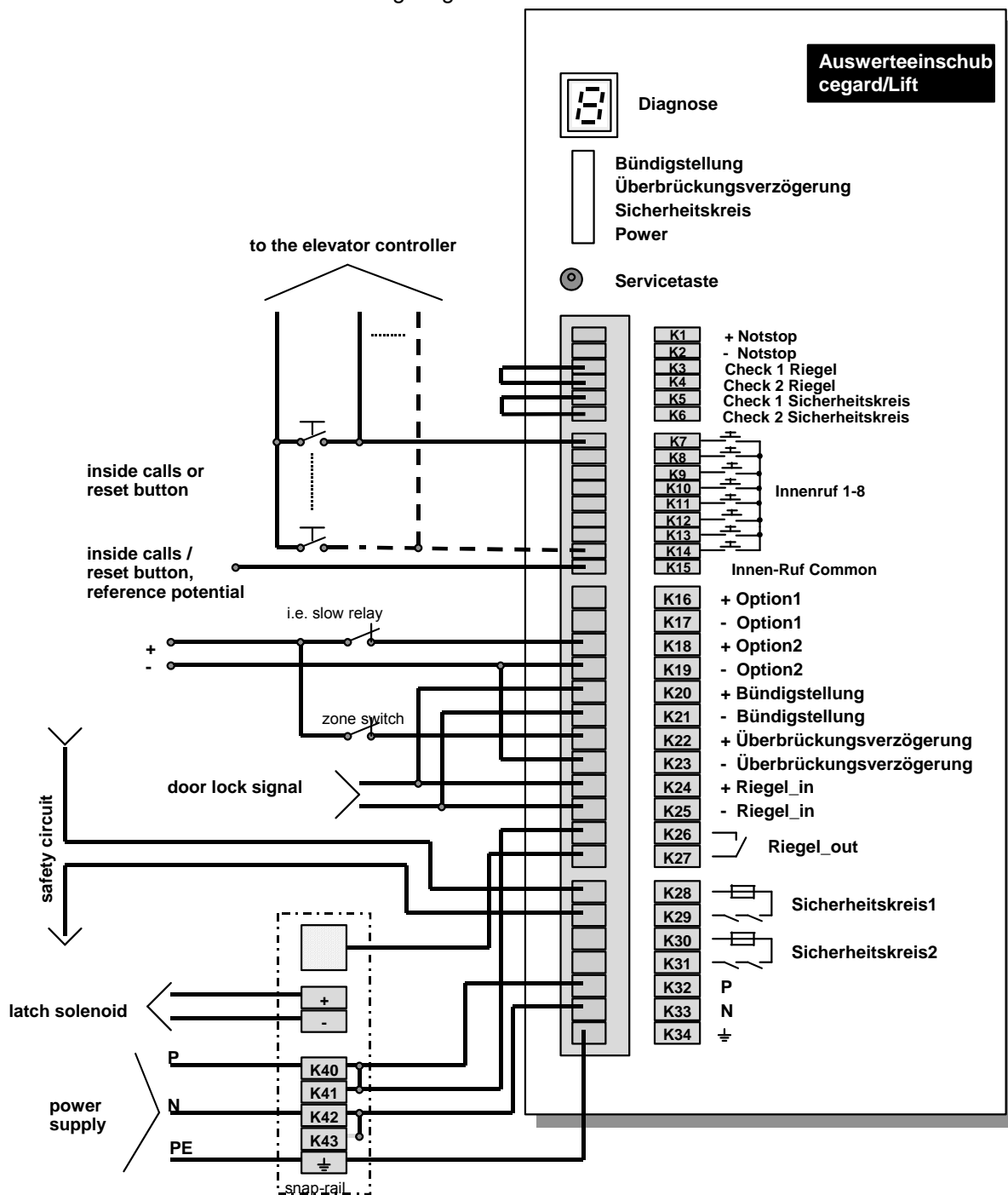


Figure 23: Connection diagram for early override

7. Commissioning

7.1. General description

The opto edges are connected to the control unit plug-in after installation. The plug with the blue marking (receiver edge) is inserted into the “receiver” socket, the plug with the white marking (emitter edge) being inserted into the “emitter” socket. The plugs are coded and cannot be inserted incorrectly or in the wrong sockets. Ensure that both of the plug’s safety jacks engage correctly.


The plug can be removed again by pressing the two safety clips. The final step is connecting the connectors (K28...K34) (observe connection configuration).

It goes without saying that opto edges should always be connected in pairs to each of the control unit plug-ins in cases of through-loading elevators.

The plug-in system controller and the control unit plug-ins are controlled by their own microprocessors. These test the entire system after activation. The following procedures occur during this:

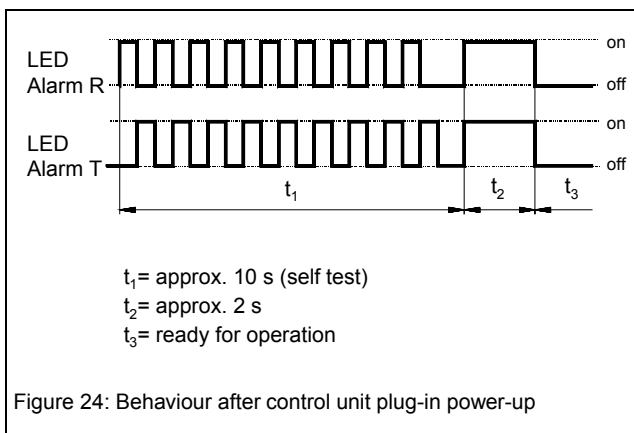
The following symbols appear **consecutively** on the **plug-in system controller**:

For elevators with one entrance: 

For through-loading elevators: 

A bar then circles around on the display until the self-test is completed. An **F** or **U** appears if the test is successful, depending on whether the light curtain is bypassed or not.

The LED “**Alarm T**” and “**Alarm R**” flash alternately with approx. 1 Hz for approx. 10 seconds on the control unit plug-in while the self-test is in progress.



Both LEDs subsequently illuminate continuously for approx. 2 seconds. The light curtain is calibrated during this time period. The two LEDs “**Alarm T**” and “**Alarm R**” are then extinguished. The relevant control unit plug-in and associated opto edges are now ready for operation. Both control unit plug-ins undergo this procedure in the case of through-loading elevators.

7.2. Installation check

Important safety notice:

The items listed in this section are relevant to safety and must be checked when accepting an elevator. Failure of the installation conducted to match the points below should be adjusted immediately.

- The distance between the sensors and the front edge of the cabin is 100 mm (tolerance ± 50 mm).
- The lowest beam can be placed at a maximum of 30 mm above the cabin floor when the distance to the front edge is between 50 mm and 100 mm. If the sensor is located between 100 mm and 150 mm from the front edge of the cabin, the lowest beam can be placed between 30 mm and a maximum of 50 mm above the cabin floor.
- The height monitored is at least 1,500 mm.
- The sensor grid is ≤ 250 mm.
- The danger zones are marked with black and yellow.
- Both sensor connection cables are conveyed upwards away from the cabin.
- The system control rack is correctly grounded $\leq (10 \Omega)$

7.3. Function test

Correct integration of the cegard/Lift should now be checked. These tests should be conducted during the initial installation and after every elevator inspection. They help the elevator technician check the wiring and correct operation of the unit.


7.3.1. Test procedure

Individual procedures are approached step by step during the test. It is important that the sequence described be adhered to, as the desired points may otherwise not be tested in certain circumstances. Any error resulting in the failure of a test point should be remedied and the procedure should be recommenced from the **first** test. A minimum of two people are required to conduct these tests. (one person in the cabin, one person outside (e.g. caretaker)).

Notice:

No third person or any other object should be in the elevator during commissioning or inspection!

7.3.2. Testing

Procedure, test	Correct reaction	Measures in event of wrong reaction
Safety circuit integration		
Internal: - Protection area is free. Internal: - Select other floor (travel command / reset) Internal: - Interrupt light curtain during journey	The elevator must stop immediately if the light curtain is penetrated.	Loop safety circuit 1 into the elevator safety sequence. Check that the override signal sequence is correct. (See section 3).
Internal call signal wiring		
Internal: - Enable light curtain External: - Call elevator with external call	The elevator should not continue the journey. It should remain stationary.	An external call signal should not be carried out on the system control rack. Deactivate external call signal with contact (K30/K31) if necessary.
Internal: - Select other floor (travel command)	The elevator should start moving and stop at the selected floor.	Check internal call signal wiring (no level?)
Latch_Out (Riegel_out) wiring		
Internal: - Light curtain interrupted Internal: - Select other floor (travel command)	The elevator should remain stationary. It should not move.  the door should be locked.	Loop in Latch_Out (Riegel_Out) . (see section 2.2.7)
Internal: - Enable light grid repeat travel command	The elevator should start moving and stop at the selected floor.	
Step test		
Internal: Attempt to induce an emergency stop shortly before the zone so that the elevator slips within the zone. See section 3.2.7)	It should be impossible to open the landing door.	Check overall integration of system and elevator signals.
Internal: Select the same floor again while the light curtain is enabled. (travel command / reset) and wait briefly.	It should only be possible to open the landing door if the cabin is flush with it. No step should be visible!	Plug in latch stopping time jumper at 10 min. The latch stopping time should only be set at 2.5 or 10 s for elevators with recall!

8. Display and operating elements

8.1. Tumbler switch on control unit plug-in

A tumbler switch is located on the front of the control unit plug-in which has a central position, a contact function to the left and a switch function to the right.

8.1.1. Normal operating mode

The tumbler switch is at "0" (central position).

8.1.2. Operation with buzzer

The buzzer is switched on in the "Loudspeaker" position (to the right). This operating mode is used for an audible check during the installation.

8.1.3 Test

A calibrating procedure is conducted when the button on "T" is actuated (to the left). The LED's "Alarm T" and / or "Alarm R" illuminate simultaneously for the duration of the calibration. **The monitored area should be empty during this time period.** The relay will not enable if the control unit

plug-in detects covered elements, defective transmitters or defective receivers.

8.2. Tumbler switch on plug-in system controller (Service button)

A tumbler switch is located on the front of the plug-in system controller. Actuating this "service button" has the same function as an internal call signal. The elevator technician can close the safety circuit again from the plug-in system controller in the event of an emergency stop during commissioning and inspection control during installation.

8.3. "Status" output on control unit plug-in (Loading or door control)

The 'Status' output continuously indicates the status of the light curtain and can be used to control an automatic landing door or for load control. The switch relay (CEDES part. no.: 100 098) is available as an accessory for this purpose.

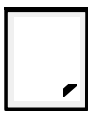
8.4. Display elements


The display elements are illuminated if the following conditions are fulfilled:


Control unit plug-in	
Power	Control unit plug-in is receiving power
Sig Out	Light curtain is enabled and the relay in the control plug-in module is actuated
Sig In	Sig_In connection is high
Alarm R	Calibration, self-test or error in the receiver edge
Alarm T	Calibration, self-test or error in the emitter edge

Plug-in system controller	
Flush position	Input for the Flush position (Bündigstellung)
Override delay	Input for the Override Delay (Überbrückungsverzögerung)
Latch_In	Input for the Latch_In (Riegel_In)
Safety circuit	Safety circuit closed
Power	Plug-in system controller receiving power

The display on the plug-in system controller is used for various **status** displays during normal operating mode. These help the elevator technician to check the system for correct function. This can be particularly helpful when checking whether the wiring to the elevator control system is correct.

 The small area in the lower right-hand corner of the displays flashes with approx. 3 Hz. The system is in normal state if this area is flashing.

 The small 'r' signals a Reset and is displayed for about half a second. (Exception: the small 'r' can be displayed longer during the latch holding time; max 10 min).

 The 'F' indicates that travel is enabled. The system status is "live" (i.e. an emergency stop will be triggered if the protective field is penetrated). A flashing "F" signals that the system is "live", even though **Latch_In (Riegel_In)** is low. The reason is that at least one of the **Option 2** and **Override Delay** inputs is still at 'High'.



The 'U' indicates that the light curtain has been overridden when the elevator is at floor level. Penetration of the protective field does not trigger an emergency stop. The **Option 2** and **Override Delay** inputs are at 'Low'.



The system is experiencing an emergency stop triggered by penetration of the protective field. The safety circuits have been broken. The elevator can only recommence operation via a **Reset** or an **internal call signal (Innenruf)** while the light curtain is uninterrupted.



Rotating segment in circle. The self-test is being conducted after activation of the plug-in system controller.



Component test for production has been activated. You should never experience this display. However, please check the wiring of your **internal call signal (Innenruf)** should it occur.

8.5. Display and operation in cabin interior

The elevator stops immediately after elevator users or objects penetrate the protective zone. It is recommended that the user be made aware of the emergency with the optional alarm detector (CEDES part. no.: 101 243) and an informational notice. The user can acknowledge (reset) the emergency simply by re-actuating the floor button (internal call signal (Innenruf)).

Appropriate instructions in the case of elevators with their own exactly defined group of users can simplify use and help avoid incorrect conduct.

9. Error diagnosis

9.1. Plug-in system controller, interface for elevator control

The 7-segment display on the plug-in system controller is used as an error, status and diagnosis display. The numbers 0-9 serve as error indications. Each number is allocated to a possible error.



Internal error on plug-in system controller:

- Switch off unit, check wiring
- Activate unit
- Please contact your nearest CEDES office if the error occurs again



Power-up (static display), control unit plug-in_1 not enabling.

- Please check your strip installation
- Is the monitored area free?
- See section 9.2

Operating (flashing display):

- The connection between the plug-in system controller and control unit plug-in_1 is interrupted or the control unit plug-in is defective.
- Check cables and plugs
- See section 9.2



Same as error #1, but for control unit plug-in_2.



Wrong software version. Plug-in system controller is designed for two entrances, but the software is only for one entrance. Please contact a CEDES office.



Not used.



The **override delay signal** is permanently low.

- Check the signal wiring (the input **must** be connected)
- The signal should carry out a clear signal change (low-high) at least once per journey.
- Additionally check voltage level.
- See section 3.2.3



The **Option 2** signal is permanently low. Same procedure as with error #5, but involving the **Option 2** input.



The safety circuit, the safety check circuit or an external contactor is either permanently broken or closed.

- Please check correct connection
- See sections 5 & 6



The latch relay, the latch check circuit or an external latch contactor is either permanently open or closed.

- Please check correct connection
- See section 5 & 6



Not used

Ensure that the **Override delay (Überbrückungsverzögerung)** control signal and **Option 2** can, under no circumstances, assume an improper status. This is particularly important while **travelling during inspection or commissioning**, as errors 5 or 6 will occur.

9.2. Control unit plug-in with optical strips

The LED displays on the control unit plug-in are used for light curtain component diagnosis and error location.

The following are possible causes of error if error 1 or 2 occur on the plug-in system controller:	
1. "Power" LED on control unit plug-in does not illuminate!	Check the control unit plug-in supply voltage (17 ... 30 VDC via terminal "GND" and "V+"). Check the SI1 fuse on the control unit plug-in.
2. The buzzer sounds constantly when light beam is free!	Is the light beam free across the entire plane? Are all sensor elements free? A gap of at least 7 mm should be free.
3. How can a light curtain component error be localized?	The following errors can be located after activation by monitoring the LEDs " Alarm R " and " Alarm T " (see table "Control unit plug-in error diagnosis"):

9.2.1. Control unit plug-in error diagnosis

Alarm R	Alarm T	Remark	Error possibility
*	*	Alternately flashing	Self-test during power-up for 10 seconds (no error!). The control unit light curtain is defective if permanent flashing occurs.
*		Flashing	Receiver disconnected, not connected or defective.
	*	Flashing	Emitter edges disconnected, not connected, defective or an individual sensor is covered.
◆	◆	Constantly illuminated	The control unit plug-in attempts to calibrate until all light beams are received. One or more light beams are interrupted by an object in the monitored area, opto edges are badly aligned or the distance between emitter and receiver edges is too large or too small. In the case of flush mounting, the drilled holes could also be too small!

10. Regulations



Safe operation can only be ensured if the points described below and the connection and limitation values in these operating instructions are observed by the installation company, service firm and the user. Operation of the system is unallowable if these requirements are not met.

10.1. Legislation and regulations

The installation company, service firm and the user must observe both national and local legislation, along with the regulations laid down by the elevator manufacturer, to enable cegard/Lift to fulfil its safety function and to maintain it.

10.2. Qualifications of skilled personnel

Installation, commissioning and maintenance of the cegard/Lift should only be carried out by qualified personnel who can prove that they have received special training in elevator system safety technology. The system control rack should be installed in a manner, which gives unauthorized personnel no opportunity to change the wiring. This is achieved by mounting it on the roof of the elevator cabin.

10.3. Periodic testing

The cegard/Lift should be checked for correct function at each legally-prescribed elevator service. This should involve checking whether the light curtain can be triggered throughout the entire monitoring range e.g. with the aid of the buzzer.

10.4. Reflection

Even very accurate calibration (as takes place in the control unit plug-in) cannot prevent every case of reflection. Extremely reflective shaft walls (tiled or with metal plating) running parallel to monitoring surfaces or even distances between emitter and receiver edges which are too short, can cause reflections.

Reflection should be reduced with appropriate measures if the light curtain is not triggered by interrupting the protective zone. This can involve the use of the CEDES flush mounting kit, a matt black paint coating, sand blasting or the fitting of a shade.

10.5. Cleaning the opto edges

The cegard/Lift is an optical device. The opto edges should therefore only be cleaned with a soft cloth and, in the case of stubborn dirt, soapy water. Solvents should never be used. Opto edges could be destroyed or their range could be reduced by such treatment.

11. Decommissioning, repair and disposal

11.1. Decommissioning

The cegard/Lift LX and LY can only be decommissioned if an equivalent or better accident prevention measure (e.g. interior cabin door) is installed. This should involve complete de-commissioning of installation kits, optical strips and the control unit plug-in.

11.2. Repair

Any repair work should be executed exclusively by CEDES specialised service or repair specialists with written authorization from CEDES.

⚠ Important safety notice:

Any other repairs can adversely effect safety and constitute a risk for elevator users.

11.3. Disposal

Please recycle the packaging carton. Large quantities of packaging material can also be disposed of at every CEDES subsidiary or CEDES representative.

CEDES subsidiaries or CEDES representatives also take back used units for dismantling and reintroduce the components into the material cycle again.

12. Technical Data

General data	
Unit type	Non-contact safety device with BWS-T testing, safety category 2, complies with EN 954-1
No. of entrances to be monitored	1 or 2 (through-loading elevators)
Norm conformity ¹	TRA 101 section 8, TRA 200, EN 62061-1 SIL 1, DAA suggestion of 22.11.1990, EN 954-1 Cat.2
Supply voltage	195 ... 265 VAC, 50 ... 60 Hz
Current input	< 100 mA at 230 VAC
Fuse supply voltage	100 mAF
Fuse safety circuits	2 x 4 AF

Outputs	
Safety circuit	Relay contacts (2-channeled) with restart inhibitor
Safety circuit load capacity	230 VAC / 4.0 A resistive load
With external load contactors ²	Depends on load contactor used
Latch circuit	Relay contactor (single-channeled) with check test
LX latch circuit load capacity	230 VAC / 16 A, 3*380 VAC / 16 A resistive load
LY latch circuit load capacity	230 VDC / 2 A resistive load
- "Alarm" output	24 V / 100 mA, for connecting alarm detector
- High	Emergency stop activated, safety circuits interrupted
- Low	No emergency stop
Reaction time of outputs	< 150 ms, typ. 100 ms

Inputs	
Internal call signals	8 inputs, isolated, polarity irrelevant with DC for resetting an alarm and testing no safety circuit drop-out during double and multiple starts
Logical voltage range (High)	12 ... 265 VAC / DC
Logical voltage range (Low)	0 ... 5 VAC / DC (see section 6)
Input current	approx. 1 mA
Service button	On control unit light curtain for inspection purposes
Automatic start	After power-up test
Latch-In, flush position, Override delay, option 2	Isolated, note polarity with DC
Logical voltage range (High)	12 ... 380 VAC / DC
Logical voltage range (Low)	0 ... 5 VAC / DC (see section 6)
Reaction time to signal change	approx. 100 ms
Input current	approx. 1 mA

¹ With consideration being given to the relevant instructions in these operating instructions and relevant regulations

² Ensure that suitable interference suppression is provided (interference fuse via contactor coil) when using external load contactors. In addition, the load contactor should have positive-action contacts with auxiliary contact and meet the requirements of respective regulations in EN 81, TRA 101 section 8 and TRA 200, along with other national regulations (type testing).

Optical data	
Operating range	0.7 ... 4 m or 4 ... 8 m
Max. operating range according to EN 61496-1 ³	1.0 m
Active safety height ⁴	1,630 mm (other protection heights are optionally available)
No. of light beams ³	46 (optional 70)
Emitter / receiver aperture angle	40°
Light reserve after calibration	approx. 100%
max. perms. external light system 0.7 ... 4.0 m	approx. 50,000 Lux
max. perms. external light system 4.0 ... 8.0 m	approx. 5,000 Lux

Other data	
Opto edge cross section (W x D)	14 x 17 mm
Length of opto edge ⁴	1,730 mm (other dimensions are optionally available)
System control rack dimensions (W x D x H)	318 x 342 x 201 mm
System control rack weight	approx. 6 kg
Protection rating, opto edges	IP65
Protection rating, control unit light curtain	IP54
Operating environment	EN 60068-2-1/2
Temperature range	
- Operation	+10° ... +65°C
- Operation below +10°C	cegard/Lift LX/LY IP67
Temperature range, storage	-20° ... +70°C
Relative air humidity	65%
Mechanic stress resistance in operation (vibration and shock)	EN 60068-2-6

³ To achieve the maximum angle of radiation allowed, either the 100 847 or the 100 848 mounting kit is required.

⁴ Depending on version, as another edge geometry is available on request. Please contact your responsible CEDES retailer.

Interference immunity	CE conformity
Electrostatic discharge - Air discharge - Contact discharge	IEC 61000-2 15 kV, severity 4 6 kV, severity 3
Single-beam HF: electromagnetic fields	IEC 61000-3, 27 - 1000 MHz, 10 V/m, severity 3
Interference immunity to walkie-talkies	BS 5588, part 5:91, app. C
Rapid electrical transient characteristic	IEC 61000-4: 4 kV, severity 4
Transient overvoltage	IEC 61000-5: severity 3
Power interruption	IEC 61000-4-11, < 10 ms, severity 1

Interference emission	CE conformity
Radio interference emission	EN 55011: group 1, class B
Radio interference emission	VDE 0871, class B

Installation	
The following norms should be observed when using the cegard/Lift:	<ul style="list-style-type: none"> - DAA suggestion of 22.11.1990 (Germany) - EN 81 guidelines (Europe) - TRA 101 guidelines, section 8. (Germany) - TRA 200 guidelines (Germany) - SIA 370 / 10 guidelines (Switzerland) - National legislation and regulations
Declaration of conformity	see A.3 or CEDES Homepage
TÜV certified	see A.4 or CEDES Homepage

13. Order information

13.1. System components

CEDES Order number	Specification
101 070	cegard/Lift LX system control rack with latch contactor for one elevator cabin entrance, for opto edges with 16 elements
101 071	cegard/Lift LX system control rack with latch contactor for two elevator cabin entrances, for opto edges with 16 elements
102 804	cegard/Lift LX system control rack with latch contactor for one elevator cabin entrance, for opto edges with 24 elements
102 805	cegard/Lift LX system control rack with latch contactor for two elevator cabin entrances, for opto edges with 24 elements
101 384	cegard/Lift LY system control rack with rectifier module for one elevator cabin entrance wired for latch solenoid with DC supply 180 ... 220 V, 2 A, for opto edges with 16 elements
101 385	cegard/Lift LY system control rack with rectifier module for two elevator cabin entrances wired for latch solenoid with DC supply 180 ... 220 V, 2 A, for opto edges with 16 elements
101 072	Pair of opto edges 0.7 ... 4 m, 16 elements, monitored height 1,630 mm
101 073	Pair of opto edges 4 ... 8 m, 16 elements, monitored height 1,630 mm
102 809	Pair of opto edges 0.7 ... 4 m, 24 elements, monitored height 1,908 mm
102 812	Pair of opto edges 0.7 ... 4 m, 16 elements, monitored height 2,012 mm

13.2. Replacement / Individual parts

CEDES Order number	Specification
100 949	Control unit plug-in
100 937	Opto edge emitter 16 elements
100 936	Opto edge receiver 0.7 ... 4 m, 16 elements
100 951	Opto edge receiver 4 ... 8 m, 16 elements
100 952	Plug-in system controller for one elevator cabin entrance
100 976	Plug-in system controller for two elevator cabin entrance
101 250	IR transparent cover for flush mounting kit
101 604	Power contactor completely wired for latch solenoid with AC / DC supply from 230 / 380 V to 16 A, on DIN rail, snap-on
101 756	Rectifier module completely wired for latch solenoid with DC supply 180 ... 220 V, 3 A, on DIN rails, snap-on.

13.3. Accessories

CEDES Order number	Specification
100 847	Mounting kit for flush mounting of one entrance: Includes drilling template, drill, protective plate, painted yellow and black and all necessary mounting material (only for standard opto edges, 16 elements).
999 402	Mounting kit and protective plate for surface mounting of one entrance: Includes drilling template, drill, protective plate made from stainless steel, painted yellow and black and all necessary mounting material (only for standard opto edges, 16 elements).
999 052 (running out)	Door control relay for the actuation of an automatic door or for load control display, one unit required per entrance.
100 849	Alarm transmitter for surface mounting including 4 m connection cable for continuous or intermittent tone
104 075	Slot type sensor GLS 126 NT for override delay, 5 m cable, NC
104 073	Slot type sensor GLS 126 NT for override delay, 5 m cable, NO
101 291	Drilling template for opto edges (only for standard opto edges, 16 elements, Part No. 101 072 und 101 073)
101 716	Stopping module completely wired for the integration of a stop button. Activation of the stop button is handled like an emergency stop, on DIN rails, snap-on
101 243	Information sign for passengers
101 245	Information sign for passengers (reset button)

Order example:

A through-loading elevator with 6 m opening width requires:

- 1 x 101 071 system control rack for 2 elevator entrances
- 2 x 101 073 opto edge pair 4 to 8 m
- 2 x mounting kits of your choice
- 1 x 100 849 alarm transmitter

Other systems and accessories upon request from your CEDES partner or CEDES subsidiary.

13.4. Customer specific opto edge pairs

CEDES Order number	Specification
101 471 AXXXX	Pair of opto edges 16 elements Length of opto edges and monitoring height as desired
101 472 AXXXX	Pair of opto edges 24 elements Length of opto edges and monitoring height as desired

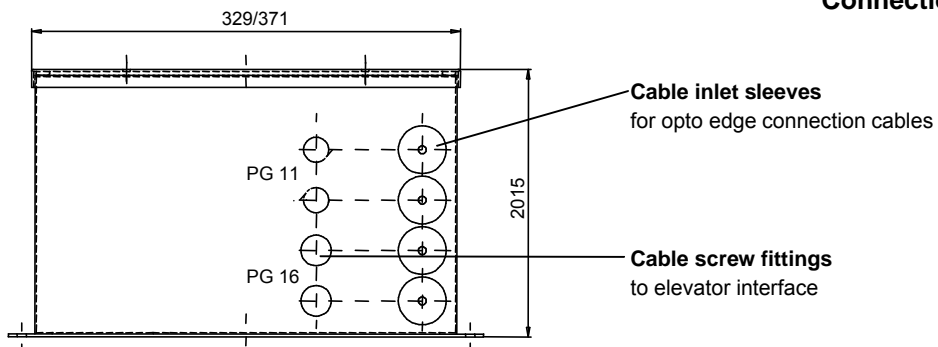
If required, the opto edges can also be supplied in IP67 rated casing.

14. Dimensional drawings

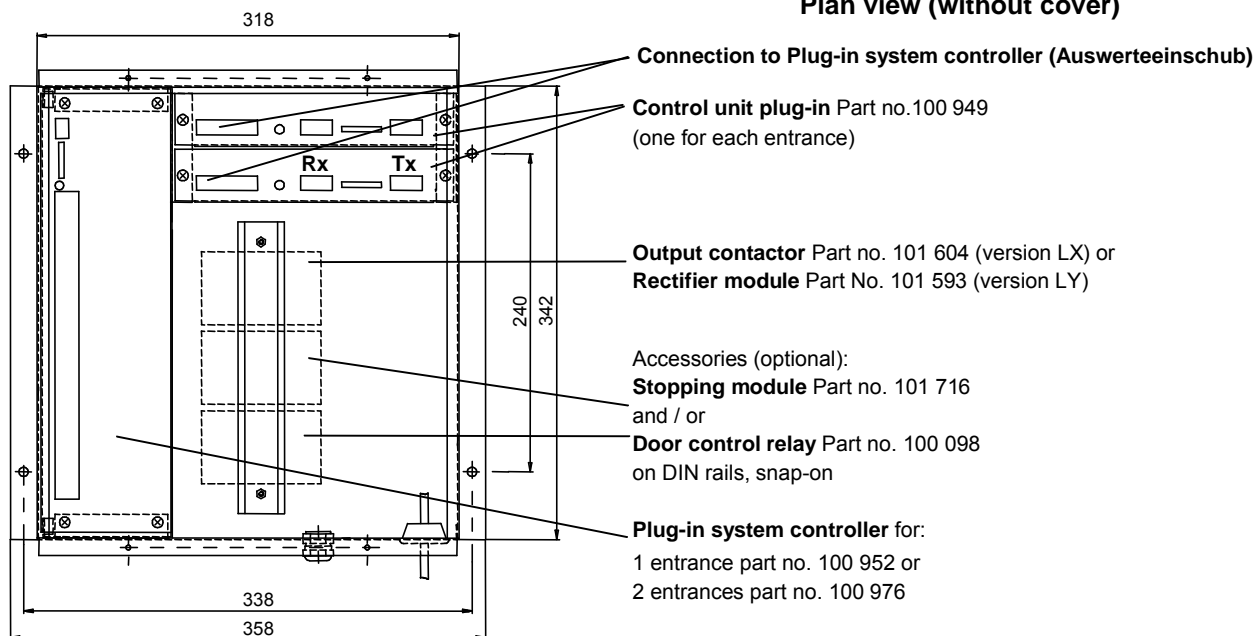
14.1. System control rack housing

The part number relates to the respective accessory or spare part.

Connection side view

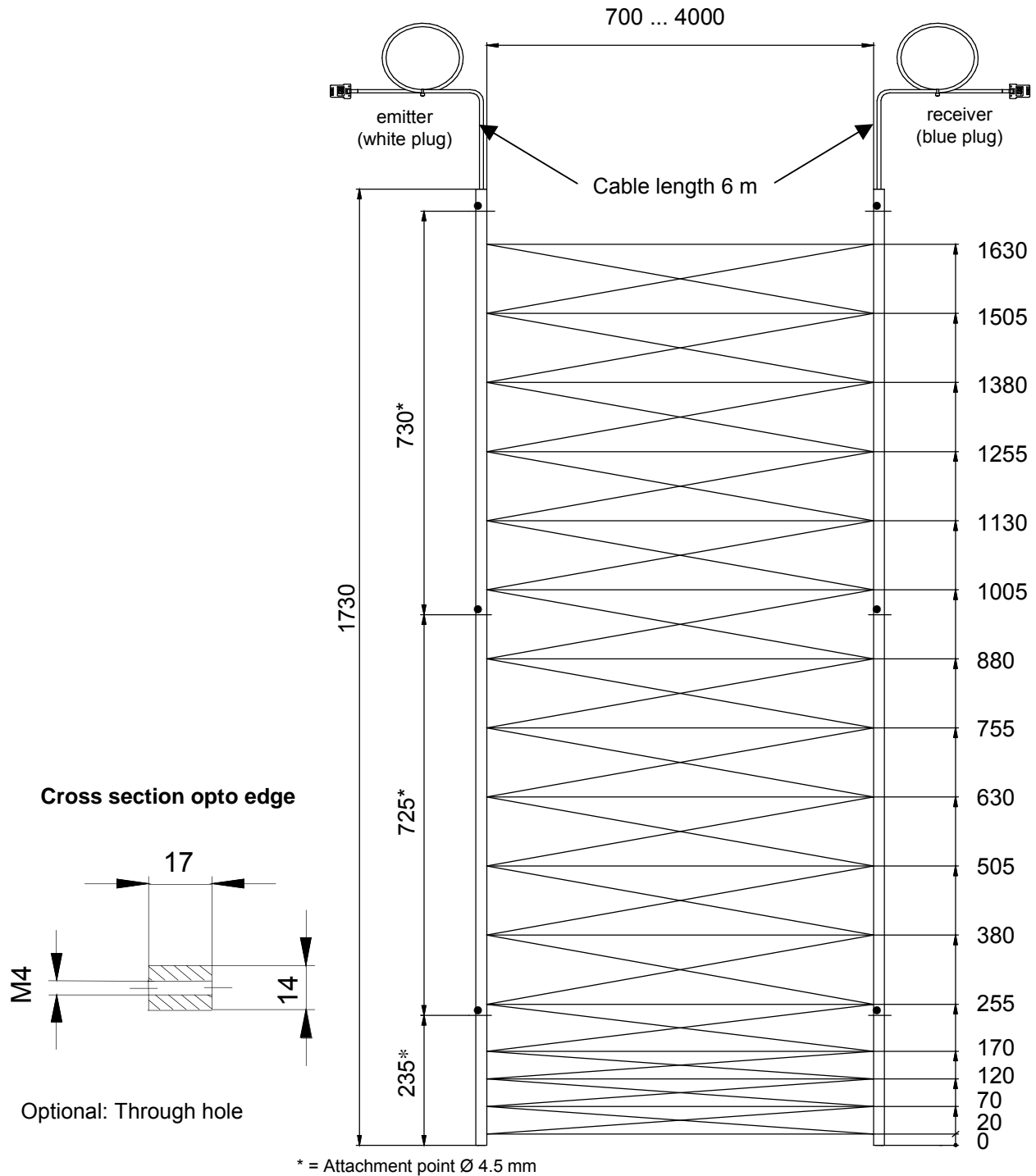


Plan view (without cover)



All dimensions in mm

14.2. Opto edges / Lift LX,LY (Part no. 101 072 & 101 073)



Optional:

- 70 beams (24 elements)
- operating range 4 ... 8 m
- customer specific solutions with 16 or 24 elements on demand

(All dimensions in mm)

Inhalt

1.	Gefahrenhinweis.....	31	7.	Inbetriebnahme.....	48
2.	Anwendung.....	31	7.1.	Allgemeine Beschreibung.....	48
3.	Funktionsbeschreibung.....	32	7.2.	Überprüfung der Installation.....	48
3.1.	Aufbau.....	32	7.3.	Funktionstest.....	48
3.2.	Schnittstelle zur Aufzugssteuerung.....	32	7.3.1.	Testablauf.....	48
3.2.1	Innenrufsignal / Reset-Signal.....	32	7.3.2.	Testen.....	49
3.2.2.	Riegelspannung (Riegel_In).....	33	8.	Anzeige- und Bedienelemente.....	49
3.2.3.	Überbrückungsverzögerung und Option 2 (vorzeitige Überbrückung) .	33	8.1.	Kippschalter am Steuereinschub.....	49
3.2.4.	Bündigstellung.....	33	8.1.1.	Normalbetrieb.....	49
3.2.5.	Automatischer Start beim Einschalten	33	8.1.2.	Betrieb mit Summer.....	49
3.2.6.	Sicherheitskreis 1 und 2.....	33	8.1.3	Test.....	49
3.2.7.	Riegelausgang (Riegel_Out).....	33	8.2.	Kippschalter am Auswerteeinschub.....	49
3.3.	Zeitdiagramme.....	35	8.3.	Ausgang „Status“ am Steuereinschub (Beladekontrolle).....	49
3.3.1.	Allgemeines Zeitdiagramm.....	35	8.4.	Anzeigeelemente.....	50
3.3.2.	Zeitdiagramm mit vorzeitiger Türöffnung.....	36	8.5.	Anzeige und Bedienung im Kabineninnern.	50
3.3.3.	Zeitdiagramm ohne vorzeitige Türöffnung.....	36	9.	Fehlerdiagnose.....	51
3.4.	Funktion - Lichtvorhang.....	37	9.1.	Auswerteeinschub, Schnittstelle zur Aufzugssteuerung.....	51
3.4.1.	Kalibrierung.....	37	9.2.	Steuereinschub mit Optoleisten.....	51
3.4.2.	Justierung.....	37	9.2.1.	Fehlerdiagnose Steuereinschub.....	52
3.4.3.	Umspiegelung.....	37	10.	Vorschriften.....	52
4.	Montage.....	38	10.1.	Gesetze und Vorschriften.....	52
4.1.	Montage der Optoleisten.....	38	10.2.	Qualifikation Fachpersonal.....	52
4.2.	Montage Steuereinheit.....	38	10.3.	Periodische Prüfungen.....	52
4.3.	Hinterwandmontageset.....	39	10.4.	Umspiegelung.....	52
4.4.	Aufputzmontageset.....	39	10.5.	Reinigung der Optoleisten.....	52
5.	Anschlussbelegung.....	40	11.	Ausserbetriebnahme, Reparatur und Entsorgung.....	52
5.1.	cegard/Lift LX mit Riegelschütz.....	41	11.1.	Ausserbetriebnahme.....	52
5.2.	cegard/Lift LY mit Riegelspannungs- Gleichrichter.....	41	11.2.	Reparatur.....	52
6.	Schaltbeispiele.....	42	11.3.	Entsorgung.....	52
6.1.	Anschluss eines einphasigen Riegelmagneten.....	42	12.	Technische Daten.....	53
6.2.	Anschluss eines dreiphasigen Riegelmotors	42	13.	Bestellinformationen.....	55
6.3.	Anschluss von zwei externen Leistungsschützen am Sicherheitskreis.....	42	13.1.	Systemkomponenten.....	55
6.4.	Überbrückung des Lichtvorhangs.....	42	13.2.	Ersatzteile / Einzelteile.....	55
6.4.1	Anschluss von drei Innenruftasten.....	43	13.3.	Zubehör.....	55
6.4.2.	Anschluss einer Reset-Taste.....	43	13.4.	Kundenspezifische Leistenpaare.....	55
6.4.3	Anschluss des Alarmgebers.....	43	14.	Massbilder.....	56
6.5.	Vermeidung von Störungen.....	43	14.1.	Gehäuse - Steuereinheit.....	56
6.6.	Jumper für die Riegel-Haltezeit.....	43	14.2.	Optoleisten cegard/Lift LX,LY (Art. Nr. 101 072 & 101 073).....	57
6.7.	Beispiel 1 mit cegard/Lift LX: Lichtvorhang bei abgefallener Riegelmagnet-Ansteuerung überbrückt.....	44	A.	Certificates / Zertifikate.....	58
6.8.	Beispiel 2 mit cegard/Lift LX: Lichtvorhang in der Zone überbrückt.....	45	A.1.	Declaration of conformity / Konformitätserklärung.....	58
6.9.	Beispiel 1 mit cegard/Lift LY: Lichtvorhang bei abgefallener Riegelmagnet-Ansteuerung überbrückt.....	46	A.2.	TÜV-Certificate / TÜV-Zertifikat.....	59
6.10.	Beispiel 2 mit cegard/Lift LY: Lichtvorhang in der Zone überbrückt.....	47			

1. Gefahrenhinweis



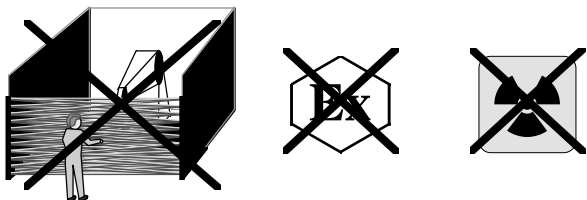
Warnung

Die Installation des Lichtvorhangs in der Aufzugssteuerung darf keinesfalls so sein, dass während eines Nothalts, der durch Unterbrechen des Schutzfeldes in der Entriegelungszone ausgelöst wurde, sich die Türen öffnen lassen. Dies hätte eine gefährliche Stufe zur Folge. Bitte lesen Sie die Hinweise in Abschnitt 3.2.7.

Verlassen die Personen in dieser Haltestelle den Fahrkorb, ohne einen erneuten Innenruf zu drücken, kann bei hydraulischen Antrieben weiterhin die Gefahr entstehen, dass durch Leckage des Hydrauliksystems der Aufzug über mehrere Stunden hinweg langsam absinkt. Der nächste Aufzugsbenutzer könnte nach Öffnen der Schachttür in die Kabine oder in den Schacht fallen.

Bei korrekter Beschaltung des cegard/Lift ist diese Gefahr nicht gegeben.

Bitte überprüfen Sie Ihre Installation nach den vorgegebenen Kriterien in Abschnitt 9.



Ein Sicherheitslichtvorhang für explosionsgefährdete Bereiche ist bei CEDES erhältlich. Fragen Sie dazu Ihre CEDES-Vertretung.

2. Anwendung

Das Lichtvorhangssystem cegard/Lift dient zum Schutz von Personen in Lasten- und Personenaufzügen ohne Fahrkorbabschlusstüren. Die Fahrkorbgeschwindigkeit darf höchstens 0.85 m/s betragen (in der Schweiz max. 0.63 m/s). Allfällige länderspezifische Vorschriften sind zu beachten.

⚠ Wichtiger Sicherheitshinweis:

cegard/Lift ist ausschliesslich für den Aufzugsbau gebaut und darf nicht in explosionsgefährdeten Bereichen eingesetzt werden. Für den Einsatz in explosionsgefährdeten Bereichen (Zone 2 und 22) sind spezielle Ausführungen erhältlich.

cegard/Lift führt einen Selbsttest aus:

- Vor jeder Fahrt
- Jedes Mal wenn eine Person oder ein Gegenstand den Lichtvorhang unterbrochen hat.

Jeder Fehler in den Optoleisten, der Steuereinheit oder an der Verdrahtung führt zum Stillsetzen der Aufzugsanlage.

Falls während der Fahrt ein Nothalt durch das Eindringen eines Gegenstands in das Schutzfeld ausgelöst wurde, kann dieser akustisch und optisch signalisiert werden.

Wenn die Schutzeinrichtung eine Fahrt unterbrochen hat, kann nach Freiwerden der Schutzzone eine Weiterfahrt nur durch einen Reset-Befehl (Fahrbefehl) aus dem Fahrkorbinnern ausgelöst werden.

Bei einem Aufzug mit zwei Zugängen werden immer beide Zugangseiten gleichzeitig überbrückt. Unabhängig davon, ob sich auf einem Stockwerk ein oder zwei Fahrkorbzugänge befinden.

cegard/Lift bietet folgende Vorteile:

- Durch einen zusätzlichen Ausgang auch zur Ansteuerung automatischer Türen geeignet
- Kostengünstig
- Einfache Einbindung in nahezu alle bestehenden Aufzugssteuerungen ohne zusätzliche Hängekabel
- Einfache und platzsparende Montage
- Keine Einstellung oder optische Justierung des Lichtvorhangs notwendig
- Kurze Montagezeit durch eine Person
- Preiswerte Alternative zu Fahrkorbabschlusstüren
- Überwachung von bis zu zwei Fahrkorbzugängen
- Grosse Reichweite und dichtes Schutzfeld
- Automatikstart nach dem Einschalten

- ☑ 8 potentialfreie Eingänge für Kabinenrufe, 12 ... 265 VAC / DC
- ☑ Sicherheitslogik zur Vermeidung von gefährlichen Stufen
- ☑ Steuereinheit IP54
- ☑ Optoleisten IP65, optional IP67
- ☑ Ansteuerung für Beladekontrollanzeige als Zubehör lieferbar

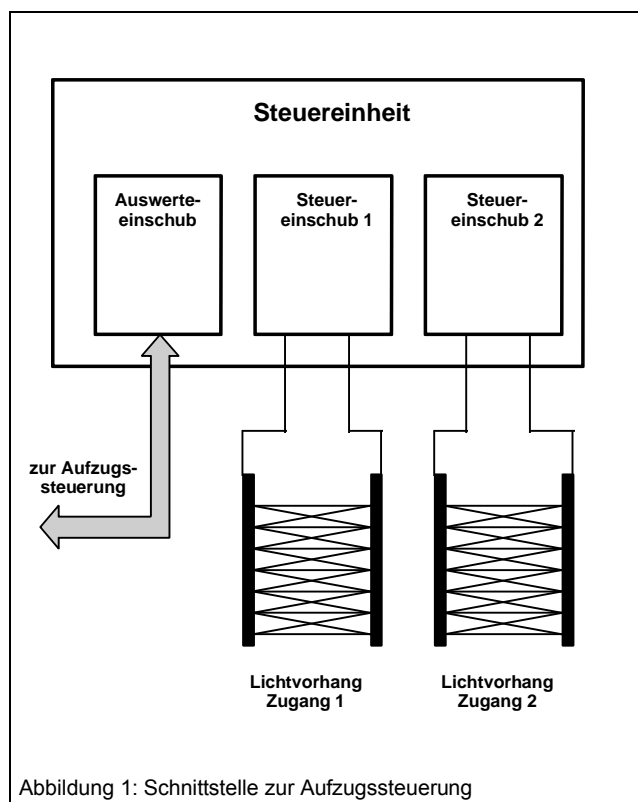
Als Zubehör sind Montagekits lieferbar, die einen einfachen Einbau, Installation und Inbetriebnahme durch einen einzigen Monteur möglich machen. Gleichzeitig bieten die Montagekits für die Optoleisten optimalen Schutz im rauen Industriealltag.

3. Funktionsbeschreibung

3.1. Aufbau

Die Steuereinheit von cegard/Lift wird mit Hilfe von Tragschienen (im Lieferumfang enthalten) auf dem Fahrkorbdach montiert.

Das Blockschaltbild (Abbildung 1) zeigt den Aufbau.



3.2. Schnittstelle zur Aufzugssteuerung

Von der Aufzugssteuerung werden folgende Signale zur Ansteuerung benötigt:

- ☑ Mindestens ein **Innenruf-Signal** oder aber das Signal eines Reset-Tasters aus der Aufzugs-Kabine (Abschnitt 3.2.1)
- ☑ Die Riegelspannung: **Riegel_In** (Abschnitt 3.2.2)
- ☑ Spannungsversorgung 230 VAC muss permanent anliegen. (Abschnitt 5.1)

Zusätzliche Signale erhöhen den Komfort im Aufzug:

- ☑ Liftschacht-Informationen (z.B. langsame Fahrt, Zonen-Signal) für eine vorzeitige Überbrückung des Systems (Abschnitt 3.2.3)
- ☑ Signal zur Testung der Sicherheitsbauteile von cegard/Lift (Abschnitt 3.2.4)

Die Funktion der Schnittstellensignale ist in den nachfolgenden Abschnitten ausführlich beschrieben.

Der Auswerteeinschub überwacht die Schnittstellensignale auf korrekte Funktion. Im Fehlerfall wird der Aufzug automatisch stillgesetzt und eine entsprechende Fehlermeldung am Diagnosedisplay angezeigt. Bei der Ansteuerung der Innenrufsignale mit Wechselspannung ist die Polarität an den Anschlüssen unbedeutend. Bei allen übrigen Signalen ist auf korrekte Polarität zu achten. (Abschnitt 4.2. und 5.)

3.2.1 Innenrufsignal / Reset-Signal

- siehe auch Abschnitt 5: K7-K15

Wurde durch Unterbrechen des Lichtvorhangs während der Fahrt ein Nothalt ausgelöst, erscheint im Display ein **H**. Dieser Nothalt darf nur durch einen Reset-Befehl (Fahrbefehl) aus dem Kabineninneren quittiert werden. Es stehen dazu acht getrennte und unabhängige Reset-Eingänge zur Verfügung. Die Fahrt kann fortgesetzt werden, wenn mindestens einer der Eingänge einen negativen oder positiven Impuls erhält. Dies bedeutet, dass z.B. eine Reset-Taste auf einen der Innenrufe aufgelegt werden kann.

Ein Rufsignal und damit eine Testung während einer Fahrt beeinträchtigt die Funktion nicht, d.h. die Sicherheitskontakte fallen nicht ab (Doppel- oder Mehrfachstart).

Sonderbetrieb: Die Servicetaste am Auswerteeinschub gibt bei Nothalt während der Inbetriebnahme und in der Revision dem Aufzugsmonteur die Möglichkeit, bei freiem Lichtvorhang einen Reset durchzuführen und damit die Sicherheitskontakte vom Fahrkorbdach aus wieder zu schliessen.

3.2.2. Riegelspannung (Riegel_In)

- siehe auch Abschnitt 5: K24-K25

Die Verriegelungsinformation der Aufzugssteuerung wird für die Fahrtfreigabe verwendet.

Mit einem High-Signal der Riegelspannung **Riegel_In** wird die Überbrückung des Lichtvorhangs aufgehoben und der Ausgang **Riegel_Out** durchgeschaltet und damit die Tür verriegelt. Im Display erscheint ein **F** und jeder Unterbruch des Lichtvorhangs löst jetzt einen Nothalt aus.

Die Riegelbeschaltung ist in Abschnitt 6 beschrieben.

3.2.3. Überbrückungsverzögerung und Option 2 (vorzeitige Überbrückung)

- Siehe auch Abschnitt 5: K18-K19 / K22-K23

Über die Eingänge **Überbrückungsverzögerung** und **Option2** wird der Lichtvorhang in der Türzone überbrückt. Im Display erscheint ein **U**. Die Überbrückung kann schon vor Abfallen des Riegelsignals eintreten. Der Lichtvorhang ist dann überbrückt, wenn beide Eingänge Low sind:

Überbrückungs- verzögerung	Option 2	Überbrückung des Lichtvorhangs
High	High	Inaktiv
Low	High	Inaktiv
High	Low	Inaktiv
Low	Low	Aktiv

Während eines Fahrzyklus (Fahrtfreigabe - Fahrt - Halt in Stockwerk - Fahrtfreigabe) müssen diese Signale mindestens einmal den Zustand gewechselt haben. Bleibt eines der beiden Signale permanent auf Low, wird dies als Fehler interpretiert und der Aufzug durch Öffnen der Sicherheitskontakte stillgesetzt (Abschnitt 9.1., Fehler Nr. 5 und 6).

3.2.4. Bündigstellung (Testzeitpunkt)

- Siehe auch Abschnitt 5: K20-K21

Da die Ausgangsrelais im Auswerteeinschub Sicherheitsbauteile im Sicherheitskreis des Aufzugs sind, müssen diese ebenfalls auf sichere Funktion hin überprüft werden. Die Testung im Auswerteeinschub öffnet dabei die Ausgangskontakte für ca. 100 ms. Diese Testung wird nach jeder Fahrt des Aufzuges ausgeführt. Damit diese Testung keinen Einfluss auf die Aufzugssteuerung ausübt, kann der Testzeitpunkt mit dem Eingang **Bündigstellung** gesteuert werden.

cegard/Lift ermöglicht drei Varianten zur Steuerung dieses Tests:

1. Wenn der Eingang offen gelassen wird, werden die Ausgangsrelais automatisch 5 Sekunden nach Abfallen von **Riegel_In** getestet. Kommt innerhalb dieser Zeitspanne ein Fahrtbefehl wird der Test sofort ausgelöst.
2. Wenn an den Eingang permanent eine Spannung von >12 VAC / DC gelegt wird, werden die Ausgangsrelais automatisch 10

Sekunden nach Abfallen von **Riegel_In** getestet. Kommt innerhalb dieser Zeitspanne ein Fahrtbefehl, wird der Test sofort ausgelöst.

3. Wenn der Eingang im Ruhezustand High (>12 VAC / DC) ist und bei abgefallenem **Riegel_In** eine negative Flanke erhält, löst dies eine Testung aus. Damit kann der Zeitpunkt der Testung von der Aufzugs-Steuerung vorgegeben werden. So wird beispielsweise der Eingang **Riegel_In** häufig mit dem Eingang Bündigstellung gebrückt, was eine Testung unmittelbar nach Abfallen des Riegelsignals zur Folge hat.

3.2.5. Automatischer Start beim Einschalten

Nach Stromausfall führt cegard/Lift automatisch eine Selbsttestung durch und schliesst die Sicherheitskreise erst nach erfolgreicher Prüfung. Nach dem Schliessen der Sicherheitskreise ist cegard/Lift einsatzbereit.

3.2.6. Sicherheitskreis 1 und 2

- Siehe auch Abschnitt 5: K28-K29 / K30-K31

Einer dieser beiden Kontakte muss in den Sicherheitskreis des Aufzugs eingeschleift werden, damit ein Lichtvorhangunterbruch oder eine Fehlfunktion des Gerätes zum Stillstand des Aufzugs führt.

An einem Sicherheitskreisausgang können auch externe Leistungsschütze mit zwangsgeführten Kontaktsätzen angeschlossen werden, wovon je ein Kontakt rückgeführt werden muss (Abschnitt 6.3).

Dies ergibt folgende Vorteile:

- Schalten von höheren Leistungen
- Überlastung der internen Sicherheitskontakte wird vermieden.
- Mehrere sichere Kreise können realisiert werden.

3.2.7. Riegelausgang (Riegel_Out)

- Siehe auch Abschnitt 5: K26-K27

Über die Anschlüsse K26 / K27 kann direkt ein einphasiger Rieglmagnet / -motor geschaltet werden. Die Beschaltung des **Riegel_Out** (Abschnitt 6) ist bei cegard/Lift aus Sicherheitsgründen unerlässlich, da sie bei unterbrochenem Lichtvorhang eine Wegfahrt aus dem Stockwerk und auch gefährliche Stufen verhindert.

Wie wird eine Stufe verhindert? Wird kurz vor Erreichen der Entriegelungszone, durch einen Lichtvorhangunterbruch, ein Nothalt ausgelöst, kann der Aufzug in die Entriegelungszone „rutschen“. In diesem Fall hält cegard/Lift den Kontakt K26 / K27 geschlossen, die Tür bleibt verriegelt und eine gefährliche Stufe kann nicht entstehen. Dauert dieser Zustand lange, so könnte dies zur Zerstörung von Rieglmagnet oder Rieglmotor führen. Aus diesem Grund wird der Riegel maximal zehn Minuten festgehalten. Nach dieser Zeit wird der **Riegel_Out** dem **Riegel_In** angepasst. Der Zustand Nothalt wird aber **nicht** verlassen.

⚠ Wichtiger Sicherheitshinweis:

Ein Nothalt muss in jedem Fall aus dem Inneren des Fahrkorbs mit einem Innenruf oder einem Reset, bei freiem Schutzfeld, quittiert werden.

Nach Beendigung des Nothaltzustands, durch einen **Reset**, stellt cegard/Lift drei verschiedene Varianten zur Verfügung: (interner Jumper, siehe Abschnitt 6.6):

1. Werkseinstellung:

Riegel_Out bleibt angezogen (Maximalzeit wieder 10 Minuten).

Der Aufzug muss in ein anderes Stockwerk gefahren werden, um dann die Zieletage erneut anzufahren.

2. Riegel_Out öffnet mit einer Verzögerung von 2.5 Sekunden. Wird **Riegel_In** innerhalb dieser 2.5 Sekunden High, folgt **Riegel_Out** dem **Riegel_In**.**3.** Wie 2, jedoch mit 10 Sekunden Verzögerung.

Die Varianten 2.5 und 10 Sekunden **dürfen nur bei Aufzügen mit Nachholung** ausgewählt werden, da sonst gefährliche Stufen entstehen können.

Um den Ausgang **Riegel_Out** an verschiedene Aufzugstypen anzupassen, stehen zwei Ausführungen von cegard/Lift zur Verfügung:

Ausführung LX (mit Riegelschütz)

Bei dieser Ausführung ist dem Ausgang **Riegel_Out** ein Leistungsschütz nachgeschaltet, der auch dreiphasige Rieglmotoren schalten kann. (Abschnitt 5.1.).

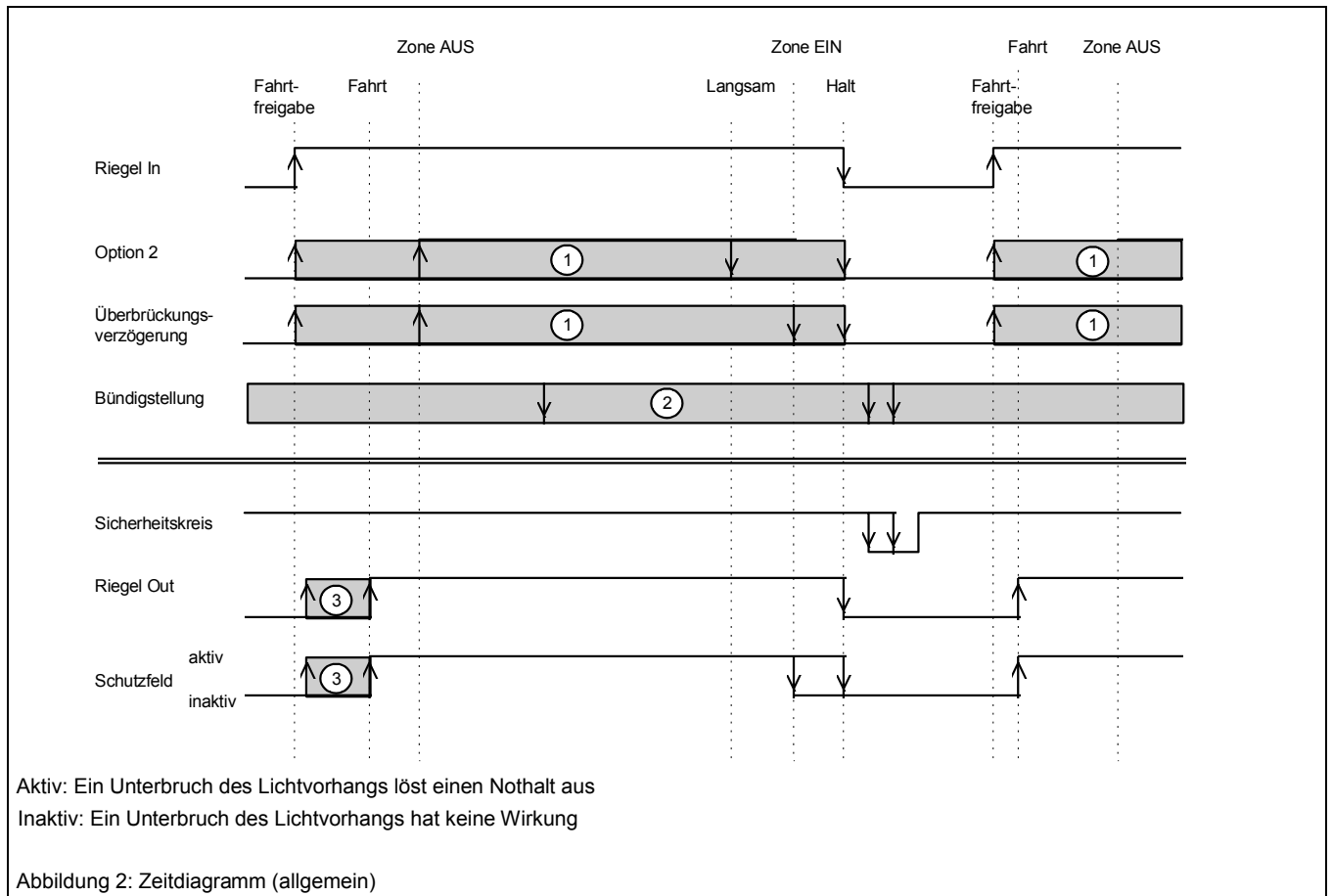
Ausführung LY (mit Gleichrichter)

Bei dieser Ausführung ist dem Ausgang **Riegel_Out** ein Gleichrichtermodul nachgeschaltet, mit dem direkt ein Gleichstrom-Rieglmagnet (ab 180 VDC) angesteuert werden kann (Abschnitt 5.2.).

Für eine korrekte Funktion der Riegelansteuerung ist die Verwendung eines Schützes oder eines Gleichrichtermoduls erforderlich. Der Riegel sollte nie direkt über die Klemmen K26 und K27 geschaltet werden, da sonst das interne Relais gefährdet ist.

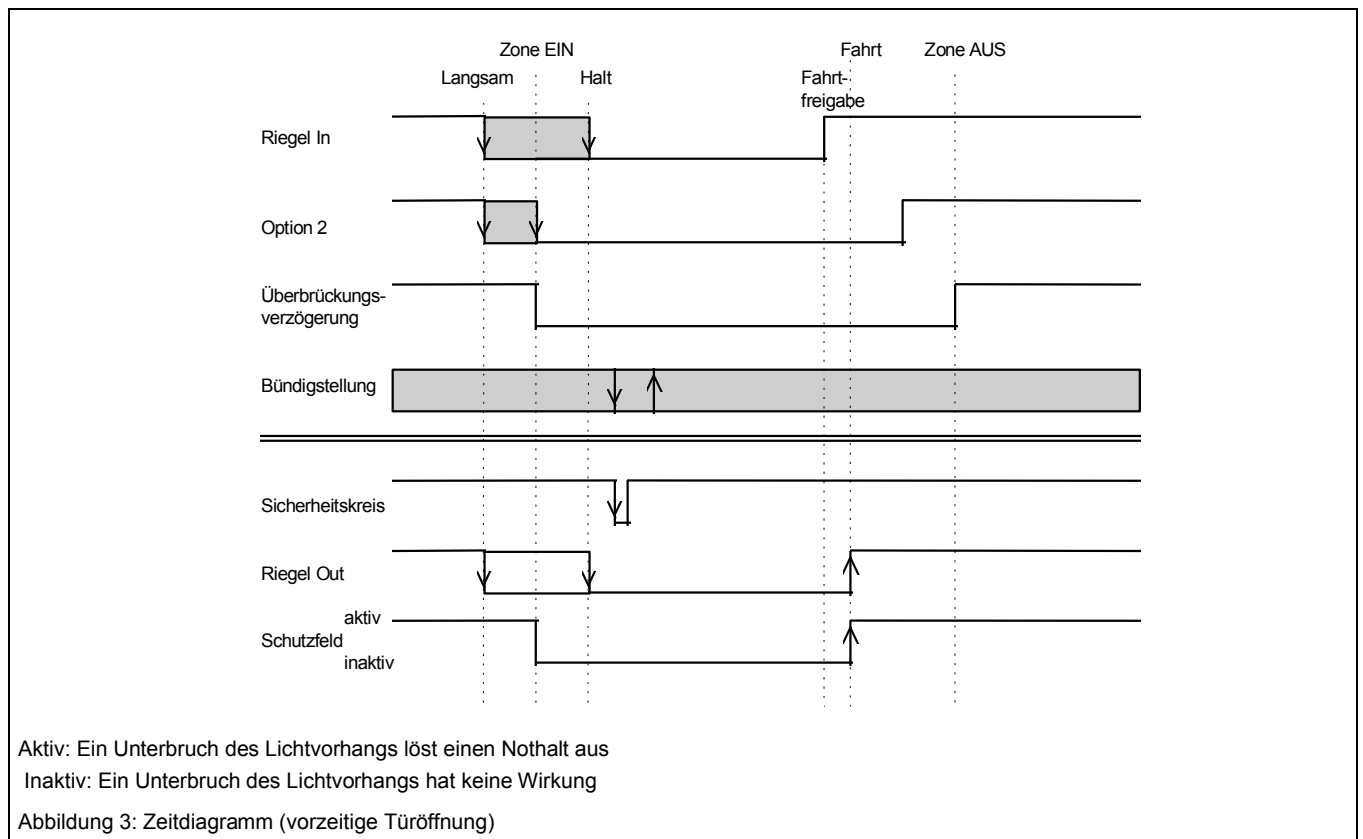
3.3. Zeitdiagramme

3.3.1. Allgemeines Zeitdiagramm

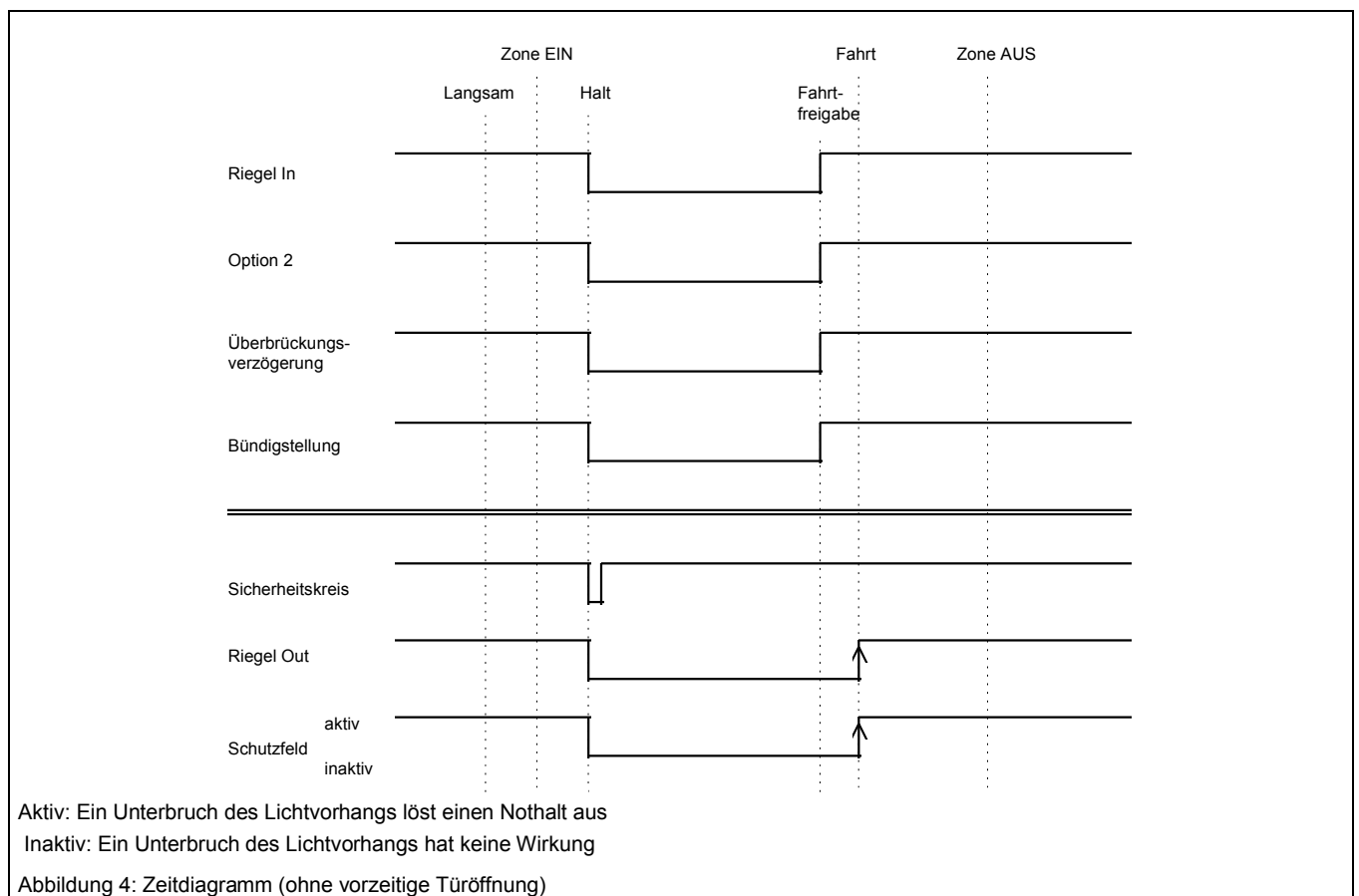


- ① Zustandsänderungen einer dieser zwei Signale während der Fahrt haben keinen Einfluss auf die Funktion des Systems. Eine Überbrückung des Lichtvorhangs findet nur dann statt, wenn beide Signale Low sind.
- ② Während der Fahrt hat eine Zustandsänderung dieses Signals keinen Einfluss auf die Funktion des Systems. Es wird benutzt, um die Sicherheitskreise bei abgefallenem Riegel zu testen. Folgende drei Varianten sind möglich:
 1. Wenn der Eingang offen gelassen wird, werden die Ausgangsrelais automatisch 5 Sekunden nach Abfallen der Riegelspannung getestet. Kommt innerhalb dieser Zeitspanne ein Fahrbefehl, wird der Test sofort ausgelöst.
 2. Wenn an den Eingang permanent eine Spannung von > 12 VAC / DC gelegt wird, werden die Ausgangsrelais automatisch 10 Sekunden nach Abfallen der Riegelspannung getestet. Kommt innerhalb dieser Zeitspanne ein Fahrbefehl, wird der Test sofort ausgelöst.
 3. Wenn der Eingang im Ruhezustand High (> 12 VAC / DC) hat und bei abgefallener Riegelspannung eine negative Flanke erhält, löst dies eine Testung aus. Damit kann der Zeitpunkt des Öffnen des Sicherheitskreises von der Aufzugssteuerung vorgegeben werden (z.B. bei Bündigstellung).

3.3.2. Zeitdiagramm mit vorzeitiger Türöffnung



3.3.3. Zeitdiagramm ohne vorzeitige Türöffnung



3.4. Funktion - Lichtvorhang

cegard/Lift arbeitet wie eine Einweg-Lichtschranke. Er besteht aus einer Sendeleiste, die viele einzelne gepulste Infrarot-Lichtstrahlen aussendet (Abbildung 5).

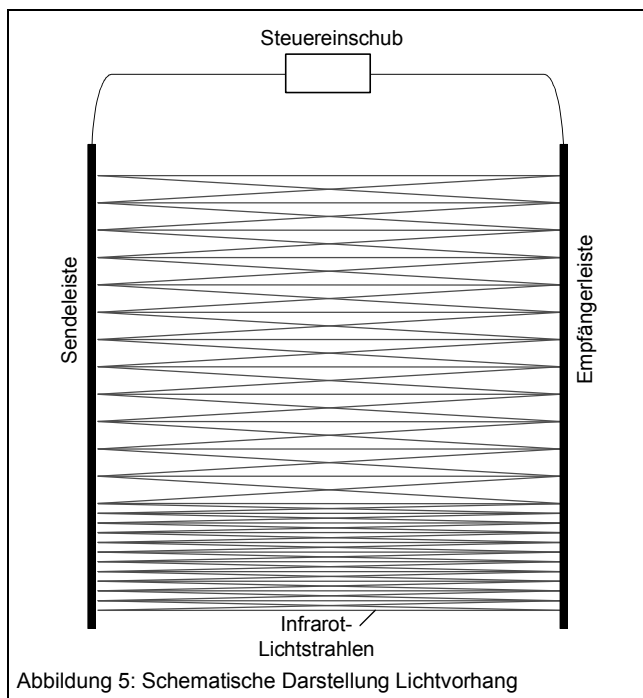


Abbildung 5: Schematische Darstellung Lichtvorhang

Diese Lichtstrahlen werden von der Empfängerleiste empfangen, in elektrische Signale umgewandelt und dem Steuereinschub zugeführt. Dieser meldet den Unterbruch eines Lichtstrahls an seinen Ausgängen.

3.4.1. Kalibrierung

Der Steuereinschub misst bei der Kalibrierung für jeden einzelnen Lichtstrahl, wie viel Sendeleistung notwendig ist, um den zugehörigen Empfänger anzusteuern. Dieser ermittelte Wert wird um ca. 100 % erhöht und für den Normalbetrieb gespeichert. Die Kalibrierung verhindert weitestgehend die berüchtigte Umspiegelung bei Einweg-Lichtschrankensystemen und ersetzt die bei anderen Lichtvorhängen übliche Bündelung des optischen Öffnungswinkels. Dadurch wird die Montage/Justierung der Optoleisten sehr vereinfacht.

Der Kalibriervorgang dauert 0.5 bis 2 Sekunden, abhängig vom Abstand der Sende- und Empfängerleisten. Die Kalibrierung wird beim Einschalten und beim Drücken der Taste „T“ an den Steuereinschüben durchgeführt. Findet während 30 Minuten im Schutzfeld keine Veränderung statt, führt das Steuergerät selbsttätig eine Kalibrierung durch. Grosse Änderungen der Lichtintensität, z.B. durch Reinigung etc., werden innerhalb 3 Sekunden erkannt und nachkalibriert.

3.4.2. Justierung

Bedingt durch den grossen Öffnungswinkel der im Lichtvorhang cegard/Lift eingesetzten Optoelemente ist keine Justierung notwendig, solange sich die Empfängerleiste innerhalb des Öffnungswinkels der Sendeleiste und umgekehrt befindet (Abbildung 6).

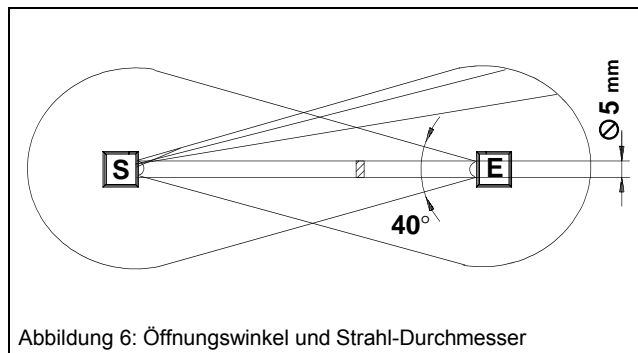


Abbildung 6: Öffnungswinkel und Strahl-Durchmesser

3.4.3. Umspiegelung

Umspiegelungen ergeben sich, wenn sich parallel und in der Nähe zur Überwachungsebene spiegelnde Flächen befinden z.B. eine geflieste Schachtwand (Abbildung 7).

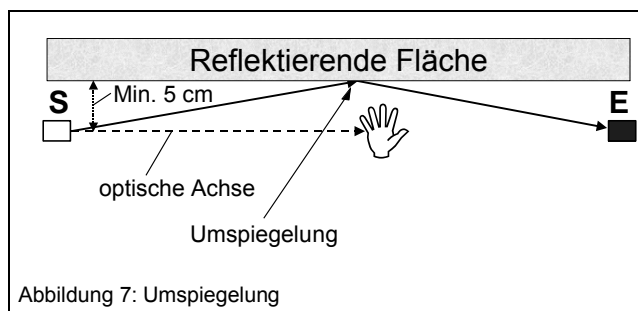


Abbildung 7: Umspiegelung

Diese Umspiegelung wird durch die **Kalibrierung**, die Verwendung der **CEDES Montagekits** und Einhaltung der **Mindestabstände** weitestgehend eliminiert.

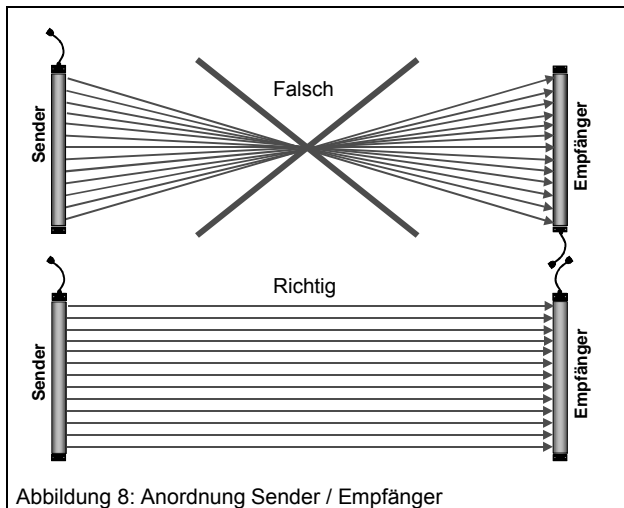
Die optische Achse muss mindestens 5 cm Abstand vom Kabinenrand haben.

4. Montage

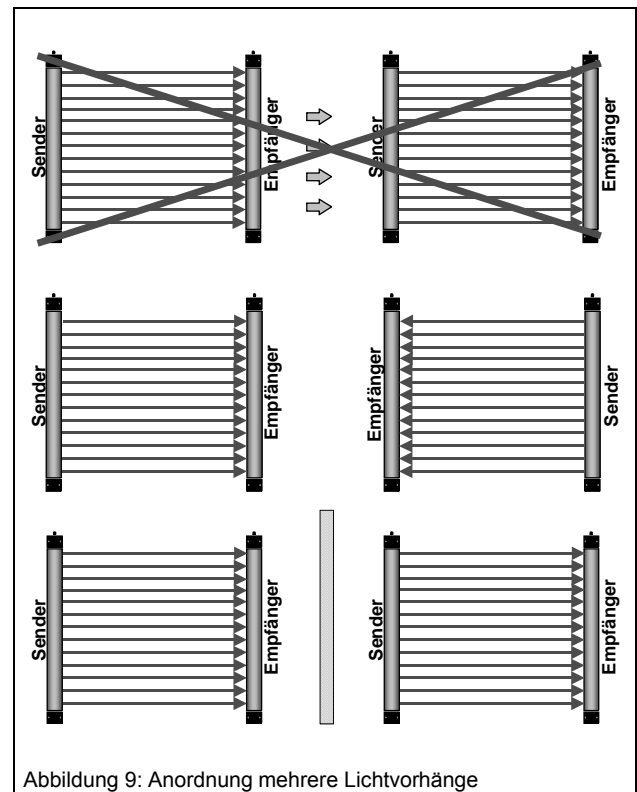
4.1. Montage der Optoleisten

Bei der Montage der Optoleisten ist zu beachten, dass,

- ☑ die Sender- zur Empfängerleiste nicht 180° verdreht montiert werden. Das heisst, die Anschlusskabel der Optoleisten **müssen** nach oben weggeführt werden.



- ☑ die Optoleisten nicht gebogen, verbogen oder Torsionskräften ausgesetzt werden.
- ☑ die Optoleisten min. 5 cm von der Schachtwand entfernt sind.
- ☑ keine Zugkraft auf das Anschlusskabel einwirkt und dieses nicht gequetscht werden kann.
- ☑ die Anschlusskabel gut befestigt und geführt sind. Sie dürfen sich nicht dauernd bewegen oder scheuern.
- ☑ Verschmutzung und Verkratzen vermieden wird.
- ☑ die Optoleisten mit den mitgelieferten Schrauben gut angezogen werden. Notfalls sind die Schrauben mit den üblichen Methoden gegen Lösen zu sichern.
- ☑ beim Einsatz mehrerer Lichtvorhänge nahe beieinander kein Sendelicht auf einen Empfänger eines anderen Systems gelangen kann. Die Lichtvorhänge können sich unter Umständen gegenseitig beeinflussen. Bei einem Durchladeaufzug müssen deshalb Sende- und Empfängerleiste der beiden Zugänge wechselseitig angeordnet werden.



Den Optoleisten liegen Abschnitte von doppelseitigem Klebeband bei, die als Montagehilfe und Fixierung, sowohl bei der Hinterwandmontage als auch bei der Aufputzmontage, dienen. Sie ersetzen die Schrauben nicht.

Für den Anbau empfehlen wir entweder das **CEDES Hinterwandmontagekit** oder das **CEDES Aufputzmontagekit**, die den Einbau der Optoleisten vereinfachen und durch ihre seitliche Blendenwirkung Umspiegelungen vermeiden helfen (siehe auch 4.3 & 4.4).

4.2. Montage Steuereinheit

Das System ist in einem Steuerschrank untergebracht und wird mit den 4 Schrauben oder mit den 2 im Lieferumfang enthaltenen Trägerleisten am Fahrkorbdach befestigt.

⚠ Es ist **unbedingt zu beachten**, dass

- ☑ die Anschlüsse K18, K20, K22 und K24 bei Ansteuerung mit Gleichspannung mit dem positiven Pol des Signals, und die Anschlüsse K19, K21, K23 und K25 mit dem negativen Pol, angesteuert werden müssen (siehe auch Abschnitt 5, Anschlussbelegung).
- ☑ der Rieglmagnet /-motor ausschliesslich von der Steuereinheit gesteuert wird.
- ☑ Vibrationen so weit wie möglich vermieden werden und eine stabile Montage sichergestellt ist.

- ☑ für eine IP54-Dichtheit die Kabeleinführungstüllen korrekt benutzt werden müssen. Die vier Gummistopfbuchsen auf der rechten Seite sind für die Anschlusskabel der Optoleisten, die vier Kabelverschraubungen auf der linken Seite sind für die Verbindungskabel zur Aufzugssteuerung zu benutzen.
- ☑ kein Anschluss-Stecker unter Spannung am Steuereinschub ein- und ausgesteckt wird. Das Gerät oder die Optoleisten könnten so zerstört werden.
- ☑ die Aufzugssteuerung die Signale für die Innenrufe **nicht erzeugt oder beeinflussen kann**.
- ☑ **keine** Aussenrufe mit den Innenrufen verknüpft sind
- ☑ das System **geerdet** sein muss. Der Anschluss „Erde“ muss niederohmig $\leq (10 \Omega)$ mit Erde verbunden sein. Die korrekte Erdung der Optoleisten erfolgt mit der Montage automatisch.

4.3. Hinterwandmontageset

Im Kabineninnern wird ein Abweiserblech montiert. Die Optoleisten werden auf der Aussenseite der Kabine montiert (CEDES Art. Nr.: 100 847).

4.4. Aufputzmontageset

Sollte ausserhalb der Kabine nicht genügend Platz für die Optoleisten vorhanden sein, können sie mittels des Aufputzmontagesets im Innern der Kabine, angebaut werden. Dadurch ergibt sich ein Verlust von ca. 6 cm in der Kabinenöffnung (CEDES Art. Nr.: 100 848).

Jedes Montageset enthält eine detaillierte Anleitung.

5. Anschlussbelegung

⚠ Wichtiger Sicherheitshinweis:

Gerät darf nur in spannungslosem Zustand angeschlossen werden!

K1-K2	Alarmgeber Nothalt
K3-K4	Kontaktrückführung für externen Riegelschutz. Ohne Verwendung eines externen Schützens sind diese Anschlüsse kurzzuschliessen .
K5-K6	Kontaktrückführung für externen Sicherheitskreisschutz. Ohne Verwendung eines externen Schützens sind diese Anschlüsse kurzzuschliessen .
K7	Innenruf 1, 12 ... 265 VAC / DC
K8	Innenruf 2, 12 ... 265 VAC / DC
K9	Innenruf 3, 12 ... 265 VAC / DC
K10	Innenruf 4, 12 ... 265 VAC / DC
K11	Innenruf 5, 12 ... 265 VAC / DC
K12	Innenruf 6, 12 ... 265 VAC / DC
K13	Innenruf 7, 12 ... 265 VAC / DC
K14	Innenruf 8, 12 ... 265 VAC / DC
K15	Gemeinsames Potential Innenrufe
K16-17	Option 1 (nicht benutzt)
K18-19	Option 2, 12 ... 380 VAC / DC*
K20-21	Bündigstellung, 12 ... 380 VAC / DC*
K22-23	Überbrückungsverzögerung 12 ... 380 VAC / DC*
K24-25	Riegel In, 12 ... 380 VAC / DC*
K26-27	Riegel Out (Relais-Schliesser-Kontakt)
K28-29	Sicherheitskreis 1. Der Kreis ist geschlossen, wenn kein Fehler vorliegt und das System gestartet ist („Sicherheitskreis-LED“ leuchtet), potentialfrei.
K30-31	Sicherheitskreis 2, wie Sicherheitskreis 1.
K32,K33	230 VAC, Phase/Nulleiter
K34	Schutzerde

*Bei Ansteuerung mit Gleichspannung Polarität beachten (siehe auch Abschnitt 3.4.)

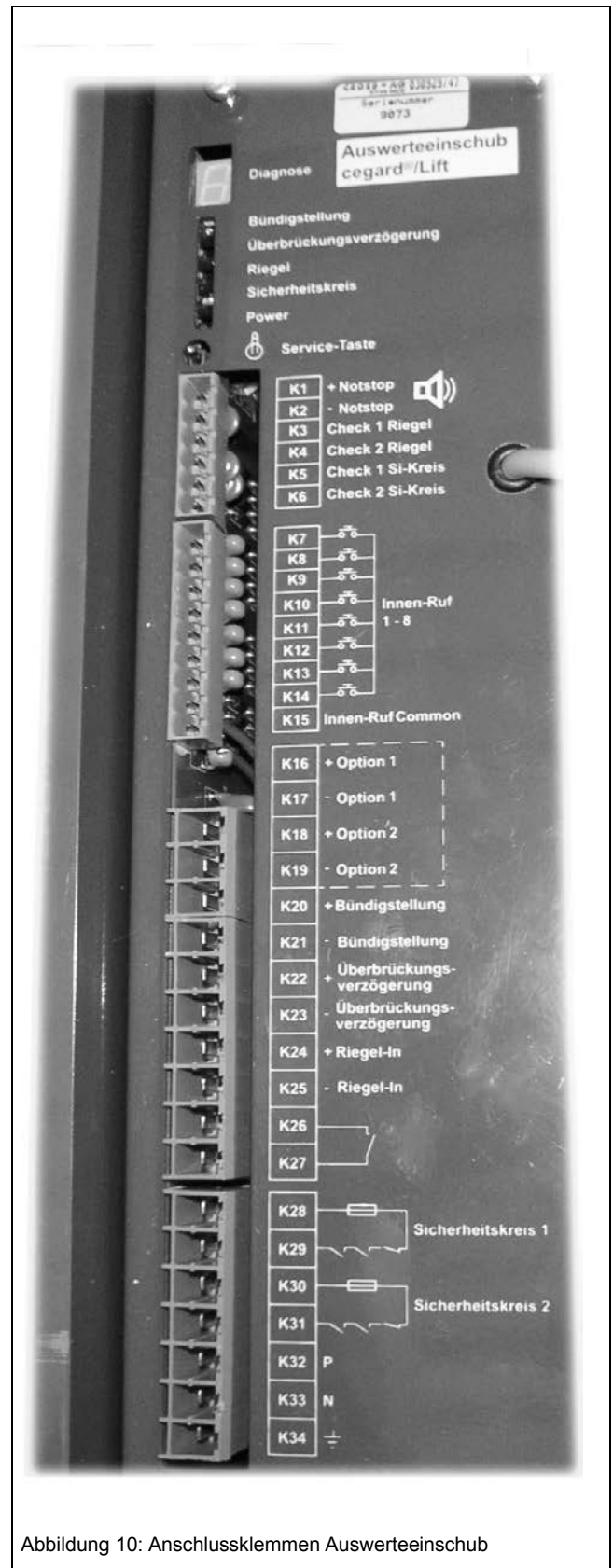
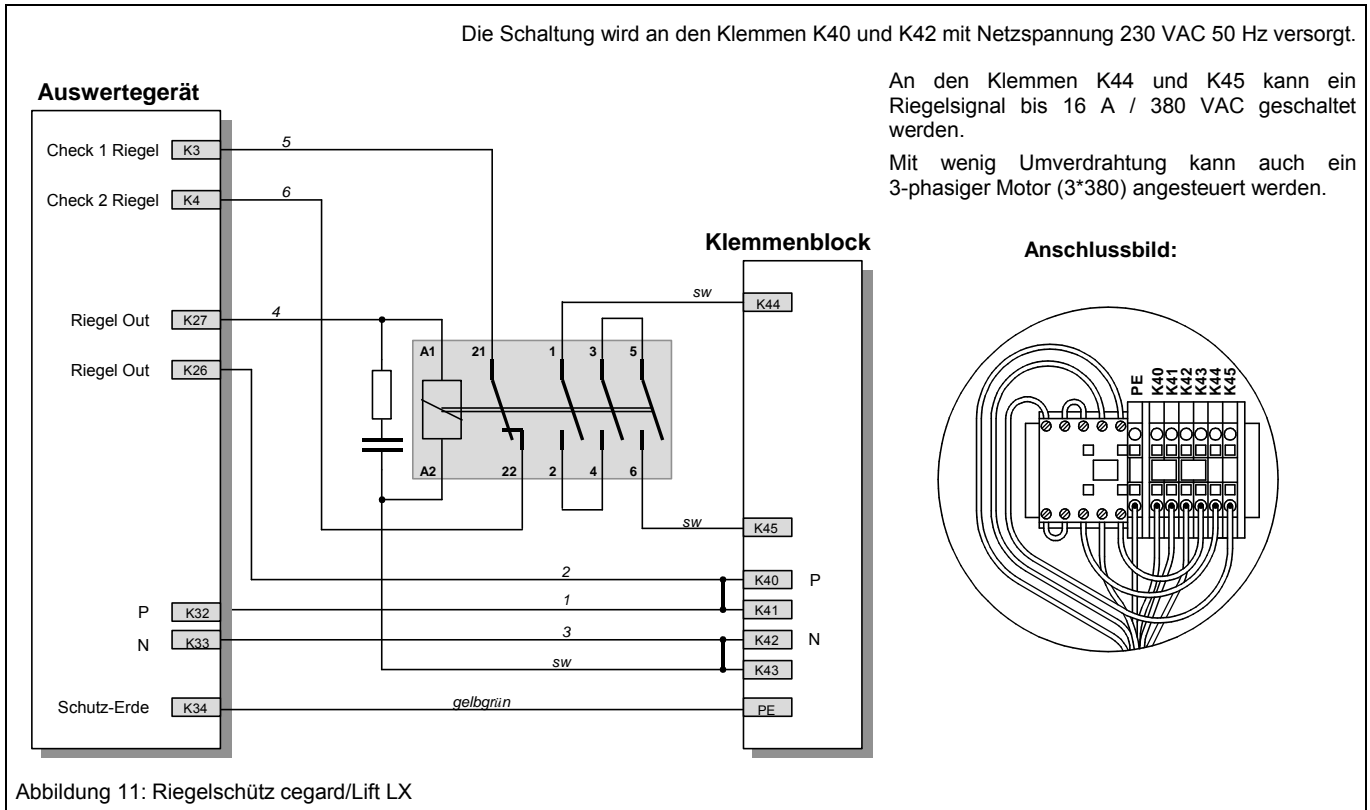


Abbildung 10: Anschlussklemmen Auswerteeinschub

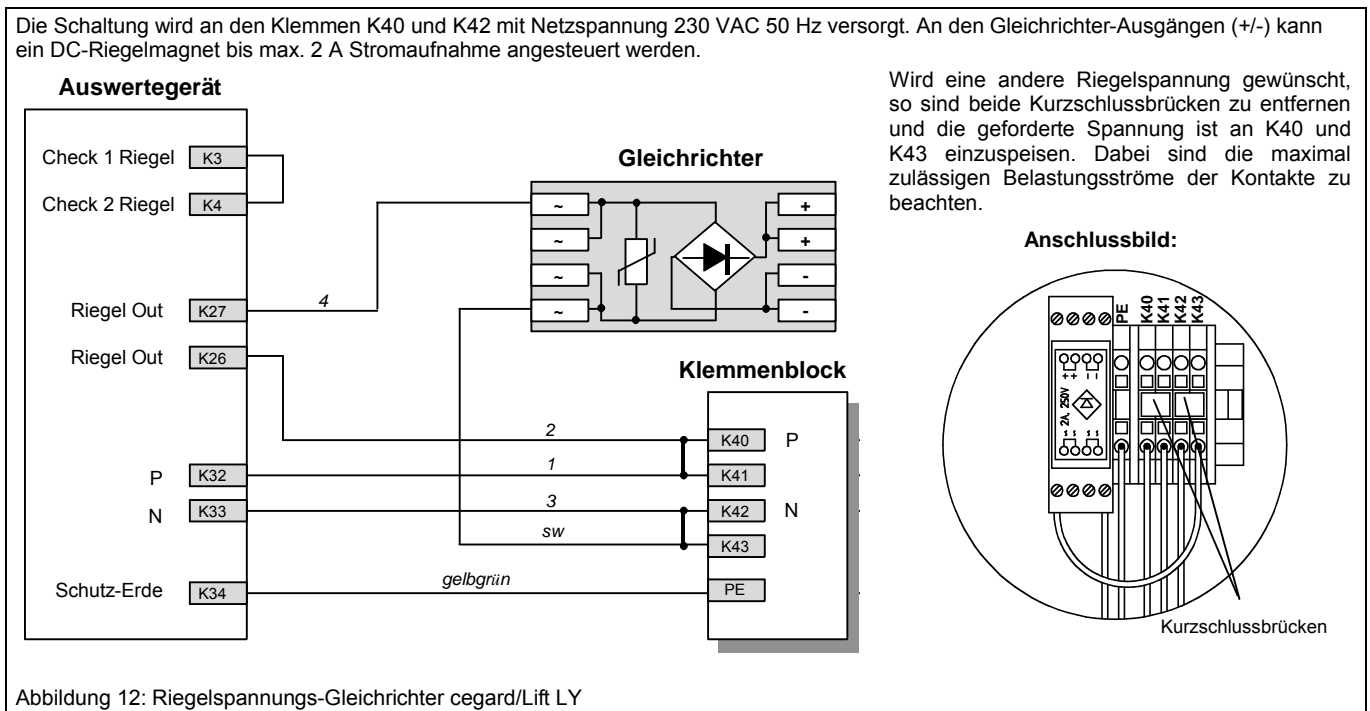
5.1. cegard/Lift LX mit Riegelschütz

Die Ausführung **LX** ist werkseitig mit einem Schütz mit zwangsgeführten Kontakten ausgestattet, der es erlaubt, auch grössere Riegelmotoren oder Riegelmagnete zu schalten. Im nachfolgenden Schaltbild ist die Beschaltung ersichtlich:



5.2. cegard/Lift LY mit Riegelspannungs-Gleichrichter

Die Ausführung **LY** ist werkseitig mit einem Gleichrichter ausgestattet, der es erlaubt, Gleichstrom-Riegelmagnete oder -motoren (ab 180 VDC) anzusteuern. Im nachfolgenden Schaltbild ist die Beschaltung ersichtlich:



6. Schaltbeispiele

Bei der Beschaltung des Riegelantriebs sowie beim Anschluss von externen Leistungsschützen ist auf eine geeignete Entstörung zu achten (RC-Glieder oder schnelle Freilaufdioden direkt über die Induktivitäten).

6.1. Anschluss eines einphasigen Riegelmagneten

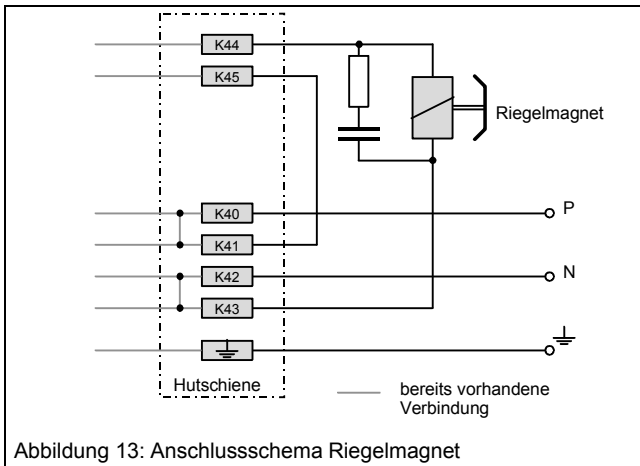


Abbildung 13: Anschlusschema Riegelmagnet

6.2. Anschluss eines dreiphasigen Riegelmotors

Durch Ändern der Standardverdrahtung des cegard /Lift LX kann ein dreiphasiger Riegelmotor angeschlossen werden. Folgende bestehende Verbindungen sind ausgehend von der Situation in Abbildung 11 zu entfernen: Schütz 2-4, Schütz 3-5, Schütz 1-K44, Schütz 6-K45. Danach ist die Verdrahtung gemäss untenstehender Skizze zu ergänzen.

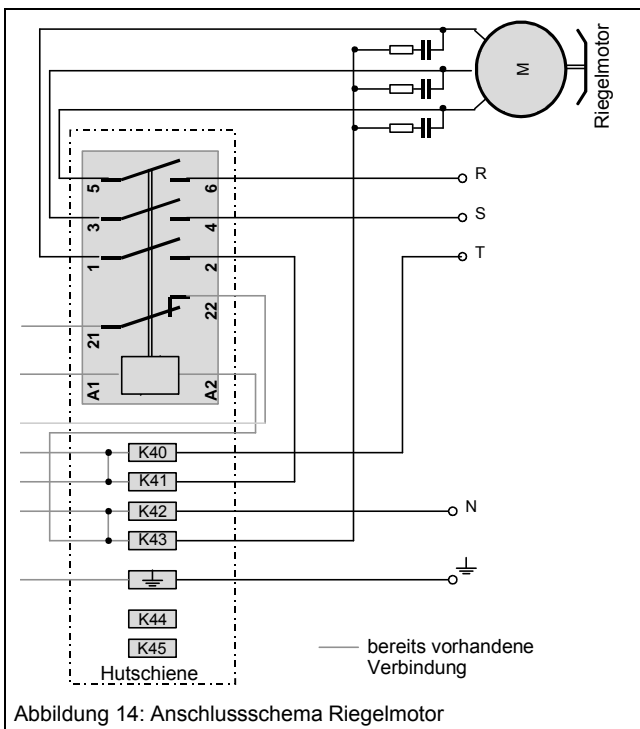


Abbildung 14: Anschlusschema Riegelmotor

6.3. Anschluss von zwei externen Leistungsschützen am Sicherheitskreis

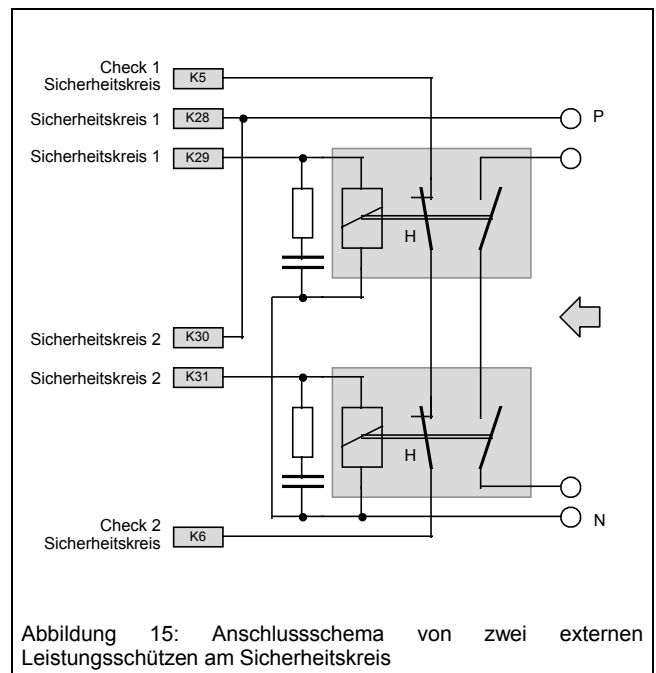


Abbildung 15: Anschlusschema von zwei externen Leistungsschützen am Sicherheitskreis

6.4. Überbrückung des Lichtvorhangs

Der Lichtvorhang wird überbrückt, wenn beim Einfahren des Aufzuges in die Etage die Eingänge **Überbrückungsverzögerung** und **Option 2** von High nach Low wechseln. Die Eingänge **Überbrückungsverzögerung** und **Option 2** können bei Bedarf auch parallel zum Eingang **Riegel_In** geschaltet werden.

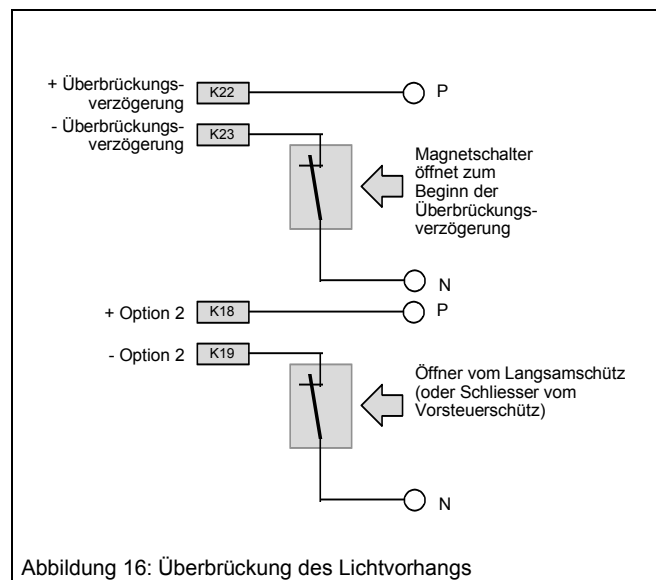
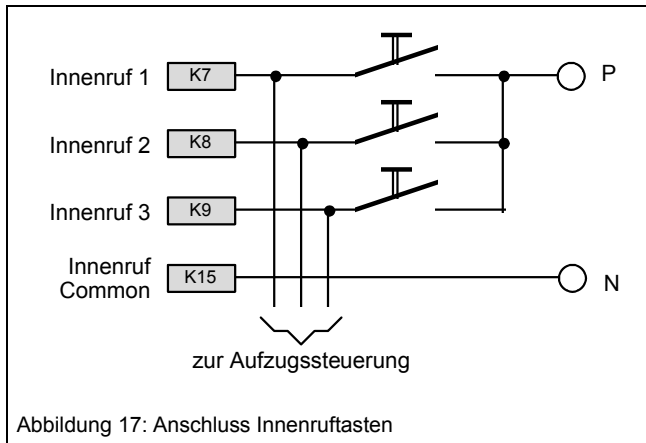


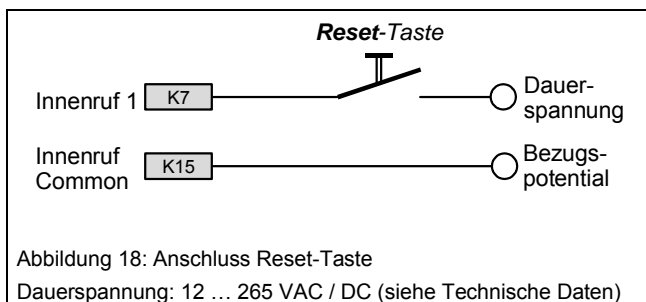
Abbildung 16: Überbrückung des Lichtvorhangs

6.4.1 Anschluss von drei Innenruftasten



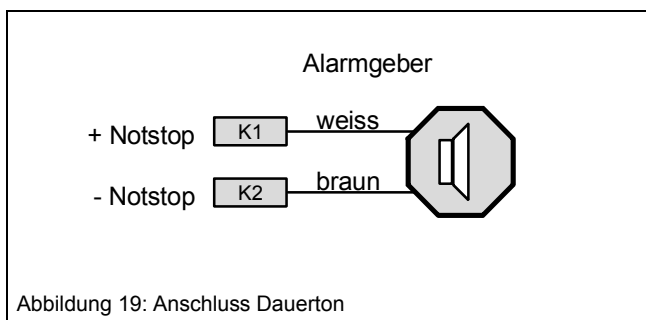
Da die Eingänge für die Innenrufe flankengetriggert sind und sowohl auf positive als auch auf negative Flanken reagieren, können die Innenrufkommandos an den bestehenden Innenruftastern abgegriffen werden. Dabei spielt die Polarität der Signale keine Rolle.

6.4.2 Anschluss einer Reset-Taste



6.4.3 Anschluss des Alarmgebers

Vorverdrahtete Alarmgeber können bei CEDES bezogen werden (CEDES Art. Nr.: 100 849)



Anschluss Intervallton:

Für Intervallton werden die beiden Litzen vertauscht (K1: braun, K2: weiss)

6.5. Vermeidung von Störungen

Damit die Steuereingänge,

- Riegel_In
- Überbrückungsverzögerung
- Bündigstellung
- Option 2
- Innenruf 1-8

über einen sehr weiten Spannungsbereich angesteuert werden können, sind diese sehr hochohmig aufgebaut. Dadurch können Signale, hervorgerufen durch kapazitive oder induktive Kopplungen, zu unerwünschten Störungen führen. Insbesondere muss sichergestellt werden, dass der Low-Pegel an diesen Eingängen in jedem Fall kleiner als 5 Volt ist (auch kurzzeitig). Ansonsten kann dies nicht eindeutig als Low erkannt werden.

Mit folgenden Massnahmen können Störungen vermieden werden:

- Signale über zusätzliche Relais entkoppeln
- Die Eingänge mit Widerständen belasten:
bei DC-Spannung 24 ... 110 V R = 47 kΩ / 0.6 W
bei AC-Spannung 230 V R = 120 kΩ / 0.6 W
bei AC-Spannung 380 V R = 500 kΩ / 0.6 W
- Eingänge parallel mit Relais oder Schützen belasten

6.6. Riegel-Haltezeit nach Quittierung des Nothalts durch Reset

Auf der Leiterplatte des Auswerteeinschubs ist ein Jumper (Steckbrücke) angebracht, mit dem die Riegel-Haltezeit nach Nothaltsquittierung eingestellt werden kann. Diese kann auf

- 2.5 Sekunden,
- 10 Sekunden und
- 10 Minuten (Werkseinstellung)

eingestellt werden.

Die Varianten 2.5 und 10 Sekunden **dürfen nur bei Aufzügen mit Nachholung** ausgewählt werden, da sonst gefährliche Stufen entstehen können (siehe auch Abschnitt 3.2.7).

⚠ Wichtiger Sicherheitshinweis:

Eine Änderung dieser Einstellung darf nur in spannungslosem Zustand durchgeführt werden. Dazu ist nach Ausschalten der Netzspannung und aller spannungsführenden Anschlüsse, der Auswerteeinschub aus dem Gehäuse zu schrauben. Die korrekte Lage des Jumpers ist durch einen Kleber auf der Leiterplatte gekennzeichnet.

6.7. Beispiel 1 mit cegard/Lift LX: Lichtvorhang bei abgefallener Rieglmagnet-Ansteuerung überbrückt

Dieses Beispiel zeigt eine einfache Variante, wie cegard/Lift LX bei einer Anlage ohne vorzeitige Türöffnung eingebunden werden kann.

⚠ Wichtiger Sicherheitshinweis:

Die Netzspannung muss auch bei einem Sicherheitskreisunterbruch vorhanden sein. Die Innenrufe müssen auch bei einem Sicherheitskreisunterbruch mit Strom versorgt werden.

Querverweis: Zeitdiagramm siehe Abschnitt 3.3.3

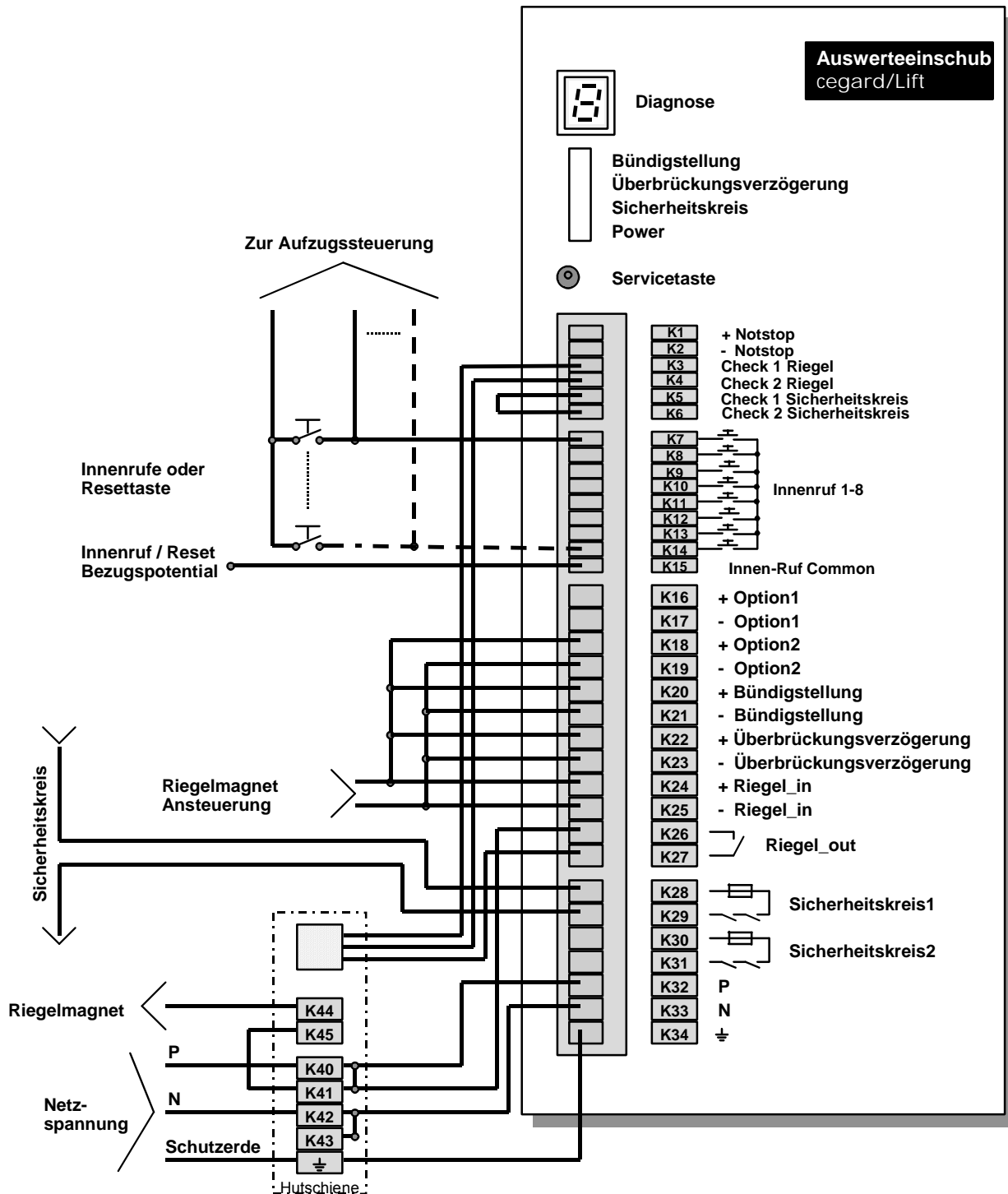


Abbildung 20: Anschlussschema ohne vorzeitige Türöffnung

6.8. Beispiel 2 mit cegard/Lift LX: Lichtvorhang in der Zone überbrückt

Dieses Beispiel zeigt eine weitere Variante, wie cegard/Lift LX bei einer Anlage eingebunden werden kann. Der Unterschied zu Beispiel 1 besteht darin, dass der Lichtvorhang etwas früher überbrückt wird. Bei einem Aufzug mit ±10 cm Zone ist der Lichtvorhang also bereits 10 cm vor der Bündigstellung überbrückt. Diese Variante ist zu empfehlen, da viele Aufzugsbenutzer bereits bei der Langsamfahrt versuchen die Tür zu öffnen. Mit dieser Beschaltung löst das beschriebene Verhalten keinen Nothalt aus, sofern sich der Aufzug bereits in der Stockwerkszone befindet.

⚠ Wichtiger Sicherheitshinweis:

Die Netzspannung muss auch bei einem Sicherheitskreisunterbruch vorhanden sein. Die Innenrufe müssen auch bei einem Sicherheitskreisunterbruch mit Strom versorgt werden.

Querverweis: Zeitdiagramm siehe Abschnitt 3.3.2

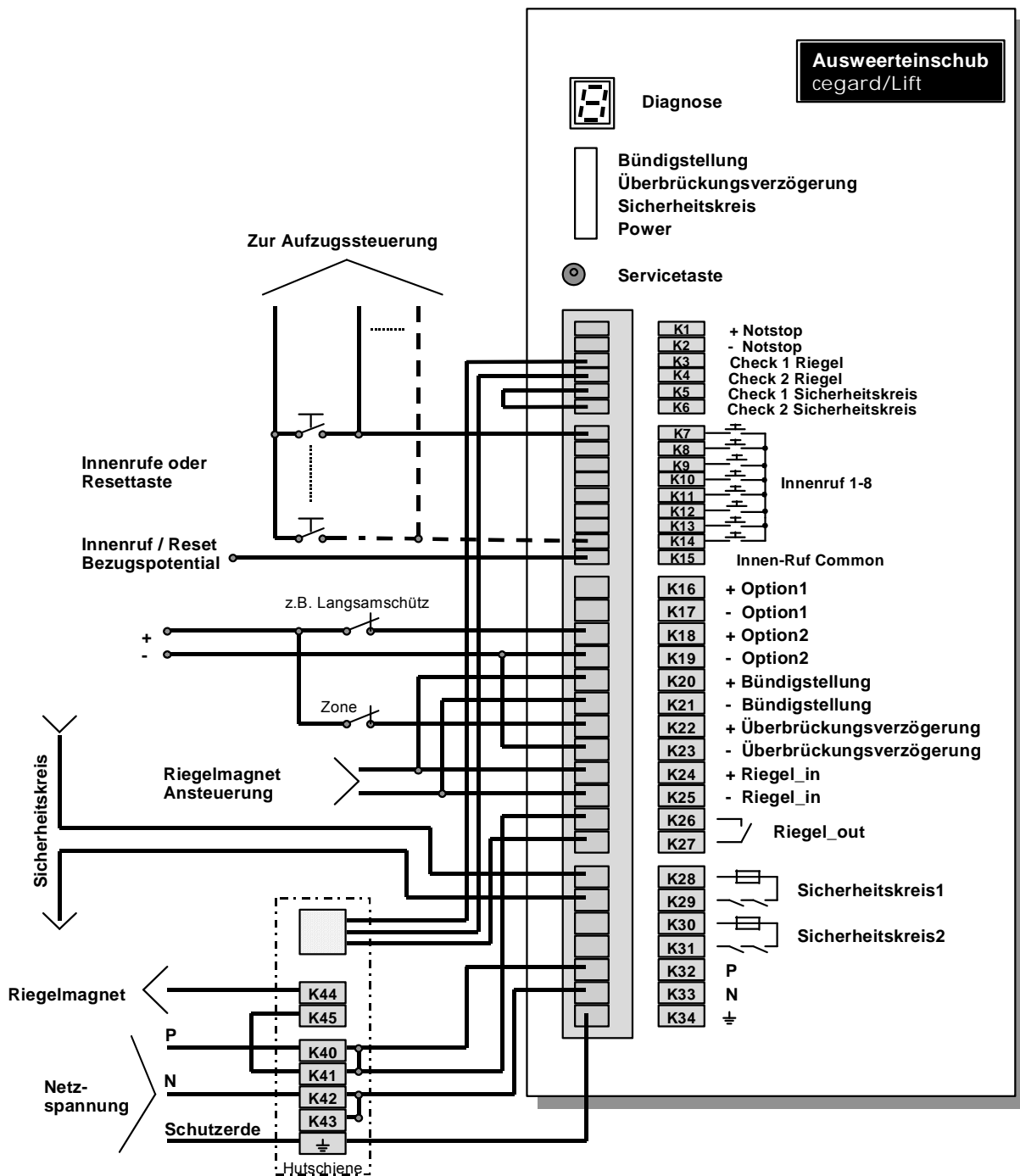


Abbildung 21: Anschlussschema frühzeitige Überbrückung

6.9. Beispiel 1 mit cegard/Lift LY: Lichtvorhang bei abgefallener Riegelmagnet-Ansteuerung überbrückt

Dieses Beispiel zeigt eine einfache Variante, wie cegard/Lift LY bei einer Anlage ohne vorzeitige Türöffnung eingebunden werden kann.

⚠ Wichtiger Sicherheitshinweis:

Die Netzspannung muss auch bei einem Sicherheitskreisunterbruch vorhanden sein. Die Innenrufe müssen auch bei einem Sicherheitskreisunterbruch mit Strom versorgt werden.

Querverweis: Zeitdiagramm siehe Abschnitt 3.3.3

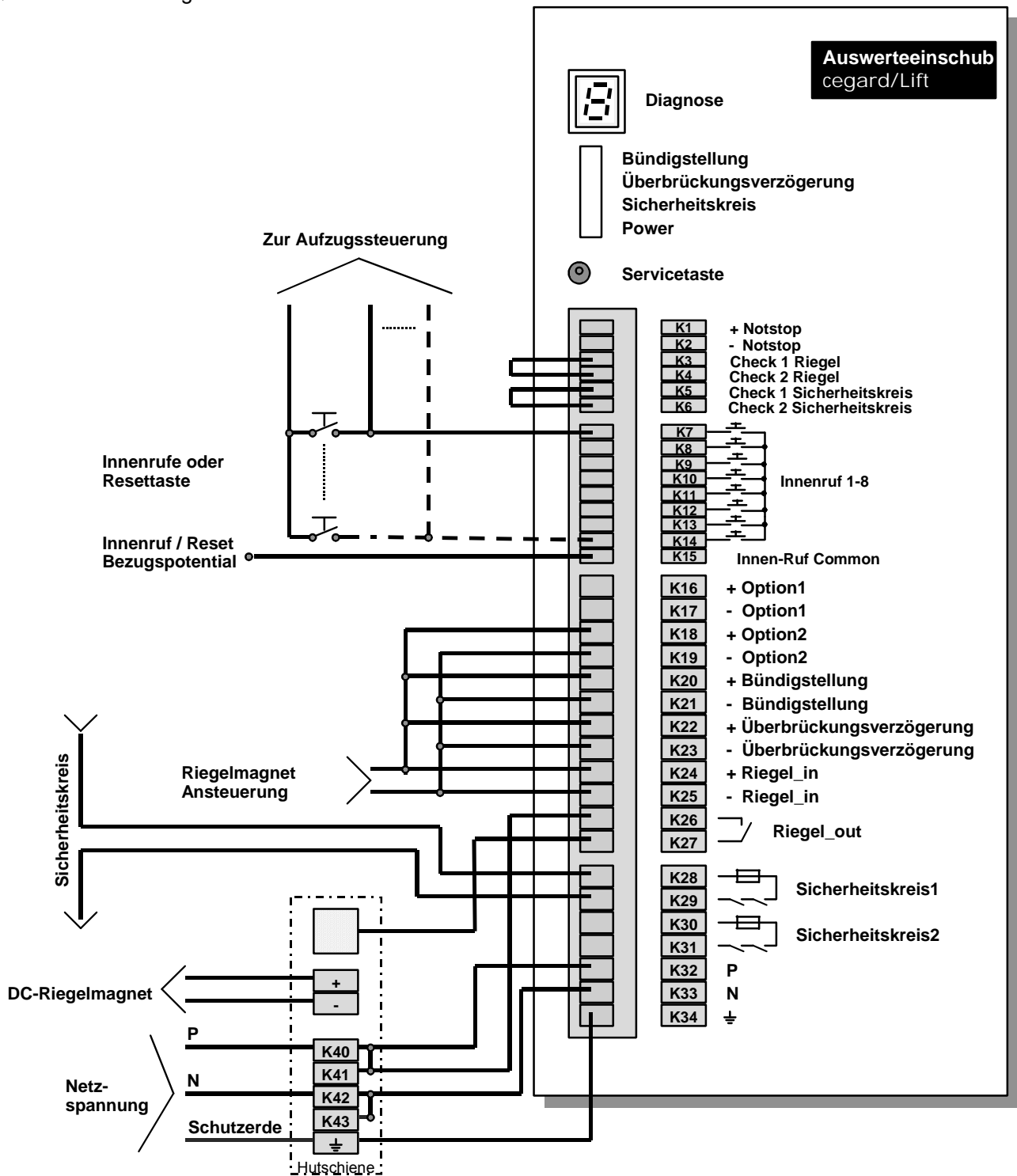


Abbildung 22: Anschlussschema ohne vorzeitige Türöffnung

6.10. Beispiel 2 mit cegard/Lift LY: Lichtvorhang in der Zone überbrückt

Dieses Beispiel zeigt eine weitere Variante, wie cegard/Lift LY bei einer Anlage eingebunden werden kann. Der Unterschied zu Beispiel 1 besteht darin, dass der Lichtvorhang etwas früher überbrückt wird. Bei einem Aufzug mit ±10 cm Zone ist der Lichtvorhang also bereits 10 cm vor der Bündigposition überbrückt. Diese Variante ist zu empfehlen, da viele Aufzugsbenutzer bereits bei der Langsamfahrt versuchen die Tür zu öffnen. Mit dieser Beschaltung löst das beschriebene Verhalten keinen Nothalt aus, sofern sich der Aufzug bereits in der Stockwerkszone befindet.

⚠ Wichtiger Sicherheitshinweis

Die Netzspannung muss auch bei einem Sicherheitskreisunterbruch vorhanden sein. Die Innenrufe müssen auch bei einem Sicherheitskreisunterbruch mit Strom versorgt werden.

Querverweis: Zeitdiagramm siehe Abschnitt 3.3.2

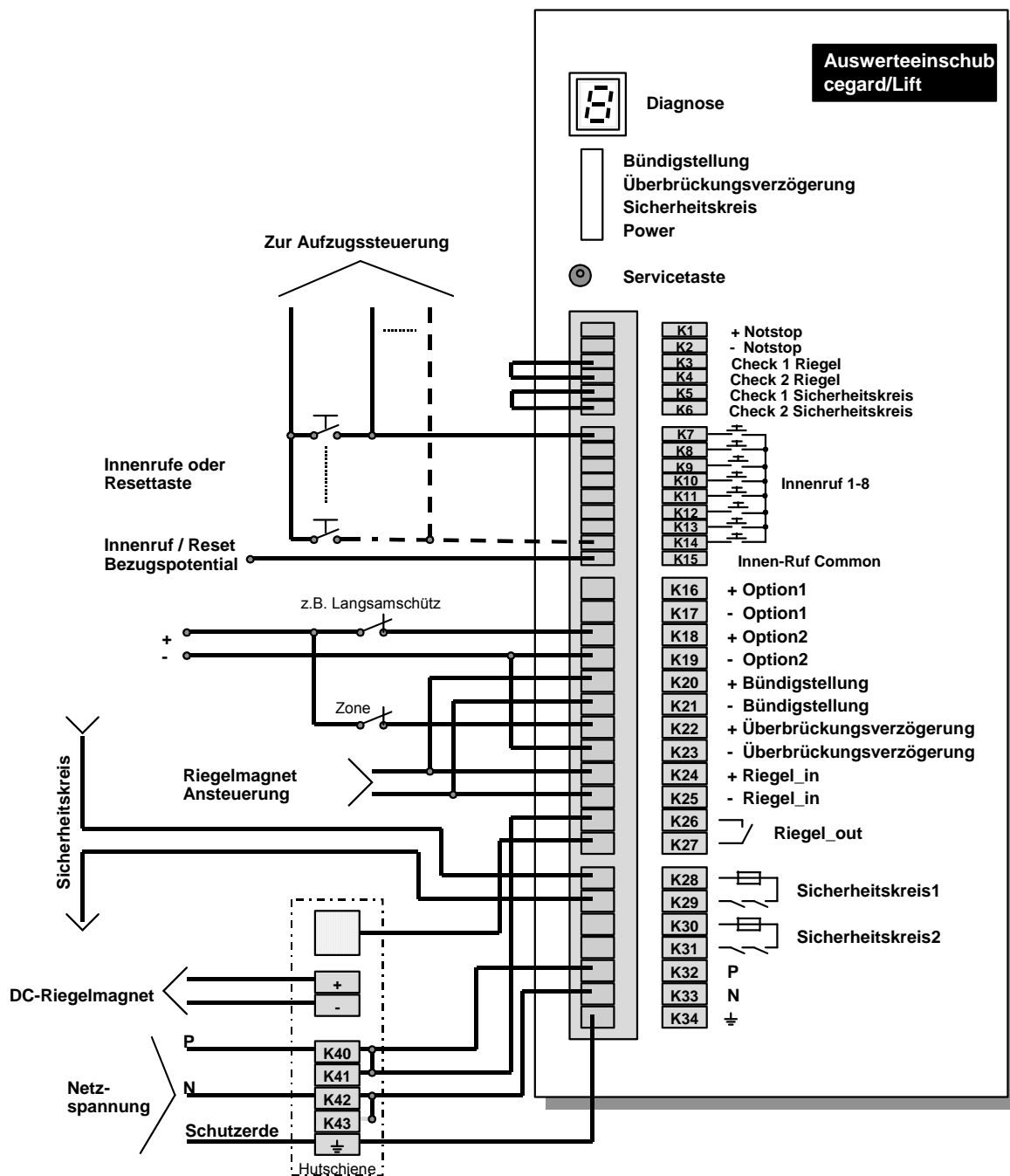


Abbildung 23: Anschlussschema frühzeitige Überbrückung

7. Inbetriebnahme

7.1. Allgemeine Beschreibung

Nach der Montage werden die Optoleisten am Steuereinschub angeschlossen. Der Stecker mit blauer Markierung (Empfängerleiste) wird an der Buchse „Receiver“, der Stecker mit weisser Markierung (Sendeleiste) an der Buchse „Transmitter“ angeschlossen. Die Stecker haben eine Codierung und können nicht vertauscht oder verdreht eingesteckt werden. Es ist zu beachten, dass beide Sicherungsklinken des Steckers korrekt einrasten.

Durch Drücken der beiden Sicherungsklinken kann der Stecker wieder entfernt werden. Zuletzt werden die Anschlüsse (K28-K34) angeschlossen (Anschlussbelegung beachten).

Bei Durchladeaufzügen müssen die Optoleisten selbstverständlich immer paarweise an jeden der zwei Steuereinschübe angeschlossen werden.

Der Auswerte- und die Steuereinschübe werden über eigene Mikroprozessoren gesteuert. Diese testen nach dem Einschalten das Gesamtsystem. Dabei läuft folgendes Prozedere ab:

Im Display am **Auswerteeinschub** erscheinen **nacheinander** folgende Zeichen:

beim Einzugänger:

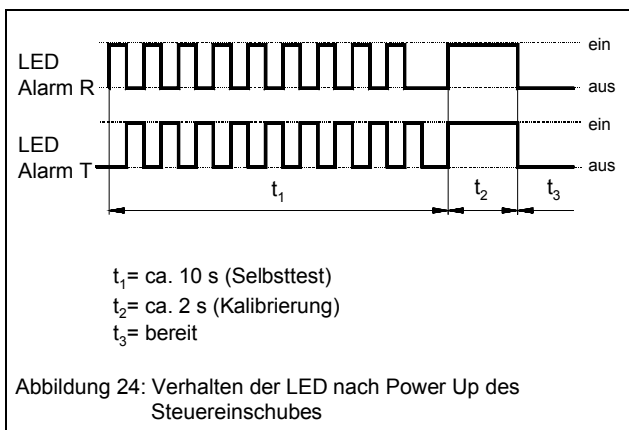
L	_	1	0	3	.	1	2
---	---	---	---	---	---	---	---

 beim Durchlader:

L	_	2	0	3	.	1	2
---	---	---	---	---	---	---	---

Danach kreist ein Balken rund ums Display, bis der Selbsttest abgeschlossen ist. Nach erfolgreichem Selbsttest erscheint ein **F** oder ein **U**, abhängig davon, ob der Lichtvorhang überbrückt ist oder nicht.

An den Steuereinschüben blinken die LED „**Alarm T**“ und „**Alarm R**“ während des laufenden Selbsttests ca. 10 Sekunden abwechslungsweise mit ca. 1 Hz.



Anschliessend leuchten beide LED ca. 2 Sekunden lang dauernd. Während dieser Zeit kalibriert sich der Lichtvorhang. Dann löschen die beiden LED „**Alarm T**“ und „**Alarm R**“. Der betreffende Steuereinschub mit den zugehörigen Optoleisten ist nun betriebsbereit. Bei Durchladeaufzügen führen beide Steuereinschübe diese Prozedur durch.

7.2. Überprüfung der Installation

⚠ Wichtiger Sicherheitshinweis:

Die in diesem Abschnitt aufgeführten Punkte sind sicherheitsrelevant und müssen bei einer Aufzugsabnahme überprüft werden. Entspricht die vorgenommene Installation nicht den untenstehenden Punkten, so ist diese unverzüglich zu berichtigen.

- Der Abstand der Sensoren zum Fahrkorbrand ist 100 mm (maximal zulässige Abweichung ist ± 50 mm)
- Der unterste Lichtstrahl darf bei einem Abstand von 50 bis 100 mm, maximal 30 mm über dem Fahrkorbboden sein. Bei einer Entfernung der Sensoren von 100 bis 150 mm vom Fahrkorbrand, darf der tiefste Lichtstrahl maximal zwischen 30 und 50 mm über dem Fahrkorbboden sein.
- Die überwachte Höhe beträgt mindestens 1'500 mm
- Das Raster der Sensoren ist ≤ 250 mm
- Schwarz-gelbe Kennzeichnung des Gefahrenfeldes
- Die Anschlusskabel der Lichtvorhänge gehen beide nach oben weg.
- Die Steuereinheit ist korrekt geerdet $\leq (10 \Omega)$

7.3. Funktionstest

Die korrekte Einbindung des cegard/Lift muss nun überprüft werden. Diese Tests sind bei der Erstinstallation und nach jeder Aufzugsrevision auszuführen. Sie helfen dem Monteur, seine Verdrahtung und die korrekte Funktion der Einheit zu überprüfen.


7.3.1. Testablauf

Im Test wird jeweils Schrittweise auf die einzelnen Handlungen eingegangen. Es ist wichtig, die beschriebene Reihenfolge zu befolgen, da sonst unter Umständen der gewünschte Punkt gar nicht getestet wird. Ist ein Testpunkt nicht erfolgreich, so ist der Fehler zu beheben und wieder mit dem **ersten** Test zu beginnen. Zur Ausführung dieser Tests sind mindestens zwei Personen (eine Person in der Kabine, eine Person aussen z.B. Hausmeister) notwendig.

Bemerkung:

Während einer Inbetriebnahme oder Revision dürfen sich keine Drittpersonen oder Güter im Aufzug befinden.

7.3.2. Testen

Vorgehen, Test	Korrekte Reaktion	Massnahmen bei falscher Reaktion
Sicherheitskreis-Einbindung		
innen: - Lichtvorhang ist frei innen: - Ein anderes Stockwerk anwählen. (Fahrtsbefehl / Reset) innen: - Während der Fahrt in den Lichtvorhang treten	Der Aufzug muss nach dem Eintritt in das Schutzfeld des Lichtvorhangs unverzüglich anhalten.	Sicherheitskreis 1 in die Sicherheitskette des Aufzugs einschleifen. Korrektur Verlauf der Überbrückungs-Signale überprüfen (Abschnitt 3).
Innenruf-Verdrahtung		
innen: - Lichtvorhang freigeben ausser: - Lift mit Aussenruf rufen	Der Aufzug darf die Fahrt nicht fortsetzen. Er muss stehen bleiben	Aussenrufe dürfen nicht auf die Steuereinheit geführt werden. Falls nötig die Aussenrufe mit Kontakt (K30/K31) wegschalten.
innen: - Neues Stockwerk anwählen (Fahrtsbefehl / Reset)	Der Aufzug soll losfahren und im gewählten Stockwerk anhalten.	Innenruf-Verdrahtung überprüfen (kein Pegel?)
Riegel_out - Verdrahtung		
innen: - Lichtvorhang unterbrechen innen: - Ein anderes Stockwerk anwählen. (Fahrtsbefehl)	Der Aufzug muss im Stockwerk stehen bleiben. Er darf nicht losfahren.  Die Tür muss verriegelt sein	Riegel_out einbinden (siehe Abschnitt 2.2.7)
innen: - Lichtgitter freigeben - Fahrtsbefehl wiederholen	Der Aufzug soll jetzt losfahren und im gewählten Stockwerk anhalten.	
Stufentest		
innen: Versuchen einen Nothalt kurz vor der Zone zu erzwingen, so dass der Aufzug noch in die Zone rutscht. (siehe Abschnitt 3.2.7)	Die Lifttür darf sich auf keinen Fall öffnen lassen.	Gesamte Einbindung des Systems und die Lift-Signale überprüfen.
innen: Das gleiche Stockwerk bei freiem Lichtvorhang nochmals anwählen. (Fahrtsbefehl / Reset) und kurz warten.	Die Lifttür darf sich nur öffnen lassen, wenn der Fahrkorb bündig steht. Es darf keine Stufe sichtbar sein!	Riegel-Haltezeit Jumper auf 10 min stecken. Die Riegel-Haltezeit darf nur bei Aufzügen mit Nachholung auf 2.5 oder 10 s gesetzt sein!

8. Anzeige- und Bedienelemente

8.1. Kippschalter am Steuereinschub

Auf der Frontplatte des Steuereinschubes befindet sich ein Kippschalter, der eine Mittelstellung, eine Tasterfunktion nach links und eine Schalterfunktion nach rechts hat.

8.1.1. Normalbetrieb

Der Kippschalter ist auf „0“ (Mittelstellung).

8.1.2. Betrieb mit Summer

Der Summer ist auf Stellung „Lautsprecher“ (nach rechts) eingeschaltet. Diese Betriebsart wird während der Montage zur akustischen Kontrolle benutzt.

8.1.3 Test

Beim Betätigen des Schalters auf „T“ (nach links) wird ein Kalibriervorgang ausgeführt. Die LED „Alarm T“ bzw. „Alarm R“ leuchten gleichzeitig für die Dauer des Kalibrierens auf. **Während dieser Zeit muss der Überwachungsbereich frei sein.** Falls

der Steuereinschub abgedeckte Elemente, defekte Sender oder Empfänger feststellt, wird das Relais nicht freigegeben.

8.2. Kippschalter am Auswerteeinschub (Servicetaste)

Auf der Frontplatte des Auswerteeinschubes befindet sich ein Kippschalter. Das Betätigen dieser „Service-Taste“ hat die gleiche Funktion wie ein Reset. Der Monteur kann bei einem Nothalt während der Inbetriebnahme oder der Revision den Sicherheitskreis vom Auswerteeinschub aus wieder schliessen.

8.3. Ausgang „Status“ am Steuereinschub (Beladekontrolle oder Türsteuerung)

Der Ausgang „Status“ zeigt immer den Zustand des Lichtvorhangs an und kann zur Steuerung einer automatischen Aussentür oder zur Beladekontrolle verwendet werden. Dazu ist das Schaltrelais (CEDES Art. Nr.: 100 098) als Zubehör erhältlich.


8.4. Anzeigeelemente


Die Anzeigeelemente leuchten, wenn folgende Bedingungen vorhanden sind:


Steuereinschub	
Power	Steuereinschub mit Spannung versorgt
Sig Out	Lichtvorhang frei und Relais im Steuereinschub angezogen
Sig In	Anschluss Sig_In auf High
Alarm R	Kalibrierung, Selbsttest oder Fehler in der Empfängerleiste
Alarm T	Kalibrierung, Selbsttest oder Fehler in der Senderleiste

Auswerteeinschub	
Bündigstellung	Eingang Bündigstellung
Überbrückungsverzögerung	Eingang Überbrückungsverzögerung
Riegel	Eingang Riegel_In
Sicherheitskreis	Sicherheitskreis geschlossen
Power	Auswerteeinschub mit Spannung versorgt

Im Normalbetrieb wird das Display im Auswerteeinschub für verschiedene **Statusanzeigen** verwendet. Diese helfen dem Monteur, das System auf korrekte Funktion hin zu überprüfen. Insbesondere kann mit Hilfe dieser Anzeige die korrekte Verdrahtung zur Aufzugssteuerung überprüft werden.

 Der Punkt in der rechten unteren Ecke des Displays blinkt mit ca. 3 Hz. Blinkt dieser Punkt, befindet sich das System in einem Normalzustand.

 Das kleine „r“ signalisiert einen Reset. Es wird für die Dauer von etwa einer halben Sekunde angezeigt. (Ausnahme: in der Riegelhaltezeit kann das kleine „r“ länger anstehen; max 10 min).

 Das „F“ signalisiert die Fahrtfreigabe. Das System befindet sich im „scharfen“ Zustand, d.h. bei Unterbruch des Schutzfeldes wird ein Nothalt ausgelöst. Ein blinkendes „F“ signalisiert, dass das System sich im „scharfen“ Zustand befindet obwohl **Riegel_In** Low ist. Grund dafür ist, dass mindestens einer der Eingänge **Option 2** und **Überbrückungsverzögerung** noch High ist.



Das „U“ signalisiert die Überbrückung des Lichtvorhangs in der Etage. Ein Unterbruch des Schutzfeldes löst keinen Nothalt aus. Die Eingänge **Option 2** und **Überbrückungsverzögerung** sind Low.



Das System befindet sich in einem Nothalt, der durch Unterbruch des Schutzfeldes ausgelöst wurde. Die Sicherheitskreise sind offen. Dieser Zustand kann nur durch einen **Reset** oder einen **Innenruf** bei freiem Lichtvorhang verlassen werden.



Rotierendes Segment im Kreis. Der Selbsttest nach dem Einschalten des Auswerteeinschubes wird ausgeführt.



Komponententest für die Produktion wurde aufgerufen. Diese Anzeige sollten Sie nie antreffen. Tritt sie trotzdem auf, so überprüfen Sie bitte Ihre **Innenruf**-Verdrahtung.

8.5. Anzeige und Bedienung im Kabineninnern

Nachdem der Aufzugsbenutzer oder Gegenstände in das Schutzfeld eingedrungen sind, stoppt der Aufzug sofort. Es ist empfehlenswert, mit dem optionalen Alarmgeber und mit einem Hinweisschild (CEDES Art. Nr.: 101 243) den Benutzer auf den Nothalt aufmerksam zu machen. Der Benutzer kann einfach durch erneutes Betätigen einer Stockwerk-taste (Innenruf) den Nothalt zurücksetzen.

Bei Aufzügen mit genau definiertem Benutzerkreis kann auch eine geeignete Instruktion die Benützung erleichtern und Fehlverhalten vermeiden helfen.

9. Fehlerdiagnose

9.1. Auswerteeinschub, Schnittstelle zur Aufzugssteuerung

Das 7-Segment-Display am Auswerteeinschub wird als Fehler-, Status- und Diagnoseanzeige benutzt. Die Ziffern 0-9 dienen als Fehleranzeigen. Jede Ziffer ist einem möglichen Fehler zugewiesen.



- Interner Fehler im Auswerteeinschub:
- Gerät ausschalten, Verkabelung überprüfen
 - Gerät einschalten
 - Sollte der Fehler nochmals auftreten, dann benachrichtigen Sie bitte Ihre nächste CEDES-Geschäftsstelle



Beim Einschalten (statische Anzeige) Steuereinschub_1 gibt nicht frei:

- Leisteninstallation überprüfen
- Ist der Überwachungsbereich frei?
- Siehe Abschnitt 9.2

In Betrieb (blinkende Anzeige):

- Die Verbindung zwischen dem Auswerteeinschub und dem Steuereinschub_1 ist unterbrochen oder der Steuereinschub ist defekt
- Kabel und Stecker überprüfen
- Siehe Abschnitt 9.2



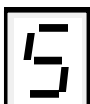
Analog wie Fehlernummer 1, jedoch für Steuereinschub_2.



Falsche Software-Version. Auswerteeinschub ist für zwei Zugänge ausgelegt, aber die Software ist nur für einen Zugang. Kontaktieren Sie bitte eine CEDES Geschäftsstelle.



nicht benutzt.



Das Signal **Überbrückungsverzögerung** ist permanent Low.

- Verkabelung dieses Signals überprüfen (Eingang **muss** angeschlossen sein!)
- Eingang muss mindestens 1 Mal pro Fahrt einen eindeutigen Signalwechsel (Low-High) ausführen
- Auch Spannungspegel prüfen
- Siehe Abschnitt 3.2.3



Das Signal **Option 2** ist permanent Low. Gleiches Prozedere wie unter Fehlernummer 5 bezogen auf den Eingang **Option 2**.



Die Sicherheitskreise, der Sicherheits-Checkkreis oder ein externer Schütz ist entweder permanent offen oder geschlossen.

- Korrekte Beschaltung überprüfen
- Siehe Abschnitt 5+6



Das Riegel-Relais, der Riegel-Checkkreis oder der externe Riegel-Schütz ist entweder permanent offen oder geschlossen.

- Korrekte Beschaltung überprüfen
- Siehe Abschnitt 5+6



nicht benutzt.

Es ist darauf zu achten, dass die Steuersignale **Überbrückungsverzögerung** und **Option 2** in keinem Fall einen unzulässigen Zustand annehmen können. Diesem Umstand ist insbesondere beim **Fahren in Revision oder bei Inbetriebnahme** Rechnung zu tragen, da sonst die Fehler 5 oder 6 auftreten.

9.2. Steuereinschub mit Optoleisten

Die LED-Anzeigen am Steuereinschub dienen zur Diagnose und Fehlersuche des Lichtvorhangteils.

Bei Auftreten von Fehler 1 oder 2 beim Auswerteeinschub sind folgende Fehlerursachen möglich:	
1.LED „Power“ am Steuereinschub leuchtet nicht!	Überprüfen der Versorgungsspannung des Steuereinschubes (17 ... 30 VDC über Klemme „GND“ und „V+“). Überprüfen der Sicherung S11 im Steuereinschub.
2.Summer ertönt dauernd bei freiem Lichtstrahl!	Ist der Lichtstrahl in der gesamten Ebene frei? Sind alle Sensorelemente frei? Es muss mindestens ein Spalt von 7 mm frei sein.
3.Wie kann ein Fehler des Lichtvorhangteils lokalisiert werden?	Nach dem Einschalten können folgende Fehler durch Beobachten der LED „Alarm R“ und „Alarm T“ festgestellt werden (siehe Tabelle; Fehlerdiagnose Steuereinschub).

9.2.1. Fehlerdiagnose Steuereinschub

Alarm R	Alarm T	Bemerkung	Fehlermöglichkeit
*	*	abwechslungsweise blinkend	Selbsttest bei Power Up für 10 Sekunden (kein Fehler!). Wenn ein permanentes Blinken vorliegt ist das Steuergerät defekt.
*		blinkend	Empfängerleiste nicht oder falsch angeschlossen oder defekt.
	*	blinkend	Sendeleiste nicht oder falsch angeschlossen, defekt oder einzelne Sensoren abgedeckt.
◆	◆	konstant leuchtend	Der Steuereinschub versucht zu kalibrieren, bis alle Lichtstrahlen empfangen werden. Ein oder mehrere Lichtstrahlen sind durch ein Objekt im Überwachungsbereich, durch schlecht ausgerichtete Optoleisten oder durch einen zu geringen oder zu grossen Abstand zwischen der Sende- und Empfängerleiste unterbrochen. Bei Hinterwandmontage können auch die Bohrungen zu knapp sein!

10. Vorschriften

Ein sicherer Betrieb kann nur gewährleistet werden, wenn nachfolgend beschriebene Punkte sowie der Anschluss und die Grenzwerte in dieser Betriebsanleitung durch den Montagebetrieb, die Servicestelle und den Betreiber eingehalten werden. Ist dies nicht erfüllt, ist der Betrieb des Systems unzulässig.

10.1. Gesetze und Vorschriften

Der Montagebetrieb, die Servicestelle und der Betreiber müssen die nationalen und lokalen Gesetze sowie die Vorschriften des Aufzugsherstellers berücksichtigen, damit cegard/Lift seine Sicherheitsfunktion erfüllt und dauernd aufrechterhält.

10.2. Qualifikation Fachpersonal

Die Montage, Inbetriebnahme und die Wartung von cegard/Lift darf nur durch Fachleute erfolgen, die eine entsprechende Ausbildung in Sicherheitstechnik an Aufzugsanlagen nachweisen können. Die Steuereinheit ist so einzubauen, dass unbefugte Personen keine Möglichkeit haben, die Verdrahtung zu verändern. Dies ist durch die Montage auf dem Fahrkorbdach gegeben.

10.3. Periodische Prüfungen

cegard/Lift ist bei jeder gesetzlich vorgeschriebenen Aufzugswartung auf korrekte Funktion hin zu überprüfen. Dabei muss kontrolliert werden, ob der Lichtvorhang im gesamten Überwachungsbereich anspricht z.B. mit Hilfe des Piepsers.

10.4. Umspiegelung

Auch eine sehr präzise Kalibrierung, wie sie im Steuereinschub stattfindet, kann nicht immer Umspiegelung verhindern. Extrem spiegelnde, parallel zur Überwachungsfläche verlaufende Schachtwände (gefließt oder mit Metallplatten verkleidet) oder auch zu kurze Distanzen zwischen Sende- und Empfängerleisten können Umspiegelungen verursachen.

Falls beim Eindringen in die Schutzzone der Lichtvorhang nicht anspricht, ist die Spiegelung durch geeignete Massnahmen zu reduzieren. Dies kann z.B. durch das CEDES-Hinterwandmontageset, einen

mattschwarzen Anstrich, durch Sandstrahlen oder durch Anbringen einer Blende geschehen.

10.5. Reinigung der Optoleisten

cegard/Lift ist ein optisches Gerät. Deshalb sollten die Optoleisten ausschliesslich mit einem weichen Lappen und bei starker Verschmutzung mit Seifenwasser gereinigt werden. Es dürfen keinesfalls Lösungsmittel benutzt werden. Die Optoleisten können dadurch zerstört werden oder es entstehen Reichweitenverluste.

11. Ausserbetriebnahme, Reparatur und Entsorgung

11.1. Ausserbetriebnahme

Der cegard/Lift LX resp. LY darf nur ausser Betrieb gesetzt werden, falls eine gleichwertige oder bessere Unfallschutzmassnahme z.B. eine Kabineninnentür eingebaut wird. Dazu sind die Montagesets, die Optoleisten und der Steuereinschub vollständig zu demontieren.

11.2. Reparatur

Jede Reparatur geschieht ausschliesslich durch den CEDES-Fachservice oder durch von CEDES schriftlich autorisierte Reparaturfachleute.

⚠ Wichtiger Sicherheitshinweis:

Jede anderweitige Reparatur kann die Sicherheit beeinträchtigen und bedeutet eine Gefahr für die Aufzugbenützer.

11.3. Entsorgung

Bitte führen Sie den Verpackungskarton der Wiederverwertung zu. Grössere Mengen an Verpackungen können auch an jede CEDES-Niederlassung oder CEDES-Vertretung zurückgegeben werden.

Die CEDES Niederlassung oder die CEDES-Vertretung nimmt auch das ausgediente Gerät zur Demontage entgegen und führt die Bestandteile wieder den Wertstoffkreisläufen zu.

12. Technische Daten

Allgemeine Daten	
Gerätetyp	Berührungslos wirkende Schutz-einrichtung mit Testung BWS-T, Sicherheitskategorie 2 nach EN 954-1
Anzahl zu überwachende Zugänge	1 oder 2 (Durchladeaufzüge)
Normkonformität ¹	TRA 101 Abschnitt 8, TRA 200, EN 62061-1 SIL 1, Vorschlag DAA vom 22.11.1990, EN-954-1 Kat. 2
Versorgungsspannung	195 ... 265 VAC, 50 ... 60 Hz
Stromaufnahme	< 100 mA bei 230 VAC
Sicherung Spannungsversorgung	100 mA F
Sicherung Sicherheitskreise	2 x 4 AF

Ausgänge	
Sicherheitskreis	Relaiskontakt zweikanalig mit Wiederanlaufsperr
Belastbarkeit Sicherheitskreis	230 VAC / 4.0 A ohmsche Last
Mit externen Lastschützen ²	vom verwendeten Lastschütz abhängig
Riegelkreis	Relais-Schützkontakt einkanlig mit Überprüfung
Belastbarkeit Riegelkreis LX	230 VAC / 16 A, 3*380 VAC / 16 A ohmsche Last
Belastbarkeit Riegelkreis LY	230 VDC / 2 A ohmsche Last
Ausgang „Alam“	24 V / 100 mA, zum Anschluss des Alarmgebers
- High	Notstopp aktiviert, Sicherheitskreise unterbrochen
- Low	kein Notstopp
Ansprechzeit Ausgänge	< 150 ms, typ. 100 ms

Eingänge	
Innenrufe	8 Eingänge, potentialfrei, Polarität bei DC unbedeutend, zur Rückstellung eines Alarms und zur Testung, kein Abfallen des Sicherheitskreises bei Doppel- und Mehrfachstart.
Spannungsbereich logisch High	12 ... 265 VAC / DC
Spannungsbereich logisch Low	0 ... 5 VAC / DC (siehe Abschnitt 6)
Eingangsstrom	ca. 1 mA
Servicetaste	auf dem Steuergerät für Revisionszwecke
Automatikstart	nach Power-Up-Test

¹ Unter Berücksichtigung der entsprechenden Hinweise in dieser Betriebsanleitung und den entsprechenden Vorschriften

² Bei der Benutzung von externen Lastschützen ist auf eine geeignete Entstörung zu achten (Funkenlöschglied über der Schützspule). Zudem muss der Lastschütz zwangsgeführte Kontakte mit Hilfskontakt haben und die entsprechenden Vorschriften in der EN 81, TRA 101 Abschnitt 8 und TRA 200 und anderer nationaler Vorschriften erfüllen (Baumusterprüfung).

Riegel-In, Bündigstellung, Überbrückungsverzögerung, Option2	potentialfrei, Polarität bei DC beachten
Spannungsbereich logisch High	12 ... 380 VAC / DC
Spannungsbereich logisch Low	0 ... 5 VAC / DC (siehe Abschnitt 6)
Ansprechzeit auf Signaländerung	ca. 100 ms
Eingangsstrom	ca. 1 mA

Optische Daten	
Betriebsreichweite	0.7 ... 4 m oder 4 ... 8 m
Max. Reichweite gemäss EN 61496-1 ³	1 m
Aktive Schutzhöhe ⁴	1'630 mm (optional andere Schutzhöhen erhältlich)
Anzahl Lichtstrahlen ³	46 (optional 70)
Öffnungswinkel Sender / Empfänger	40°
Lichtreserve nach Kalibrierung	ca. 100 %
maximal zulässiges Fremdlicht System 0.7 ... 4.0 m	ca. 50'000 Lux
maximal zulässiges Fremdlicht System 4.0 ... 8.0 m	ca. 5'000 Lux

Übrige Daten	
Querschnitt Optoleiste (B x T)	14 x 17 mm
Länge Optoleisten ⁴	1'730 mm (optional andere Leistenlängen verfügbar)
Abmessungen Steuereinheit (B x T x H)	318 x 342 x 201 mm
Gewicht Steuereinheit	ca. 6 kg
Schutzart Optoleisten	IP65
Schutzart Steuergerät	IP54
Betriebsklima	EN 60068-2-1/2
Temperaturbereich	
- Betrieb	+10° ... +65°C
- Betrieb unter +10°C	cegard/Lift LX/LX IP67
Temperaturbereich, Lagerung	-20 ... +70°C
Rel. Luftfeuchtigkeit	65 %
Mechanische Einsatzbeanspruchung (Vibration und Schock)	EN 60068-2-6

³ Der geforderte maximale Abstrahlwinkel wird nur in Verwendung mit den Montagekits (Art. Nr. 100 847 und 100848) bis zu dieser Reichweite erfüllt.

⁴ Je nach Ausführung, da eine andere Leistengeometrie auf Anfrage möglich ist. Bitte wenden Sie sich an die zuständige CEDES-Vertriebsstelle.

Störfestigkeit	CE - konform
Elektrostatische Entladung - Luftentladung - Kontaktentladung	IEC 61000-2 15 kV, Schärfegrad 4 6 kV, Schärfegrad 3
HF-Einstrahlung: Elektromagnetische Felder	IEC 61000-3, 27 - 1000 MHz, 10 V/m, Schärfegrad 3
Störfestigkeit auf Walkie-Talkies	BS 5588, Part 5:91, App. C
Schnelle elektrische Transienten	IEC 61000-4: 4 kV, Schärfegrad 4
Transiente Überspannung	IEC 61000-5: Schärfegrad 3
Netzunterbrüche	IEC 61000-4-11, < 10 ms, Schärfegrad 1

Störemission	CE - konform
Funkstörstrahlung	EN 55011: Gruppe 1, Klasse B
Funkstörstrahlung	VDE 0871, Klasse B

Installation	
Beim Einsatz von cegard/Lift müssen folgende Normen berücksichtigt werden:	<ul style="list-style-type: none"> - Vorschlag des DAA vom 22.11.1990 (Deutschland) - Richtlinien der EN 81(Europa) - Richtlinien der TRA 101, Abschnitt 8. (Deutschland) - Richtlinien der TRA 200 (Deutschland) - Richtlinien SIA 370 / 10 (Schweiz) - nationale Gesetze und Vorschriften
Konformitätserklärung	Siehe A.1. oder auf der CEDES Homepage
TÜV-Zertifikat	Siehe A.2 oder auf der CEDES Homepage

13. Bestellinformationen

13.1. Systemkomponenten

CEDES Artikelnummer	Beschreibung
101 070	cegard/Lift LX Steuereinheit mit Riegelschütz für einen Fahrkorbzugang, für Optoleisten mit 16 Elementen
101 071	cegard/Lift LX Steuereinheit mit Riegelschütz für zwei Fahrkorbzugänge, für Optoleisten mit 16 Elementen
102 804	cegard/Lift LX Steuereinheit mit Riegelschütz für einen Fahrkorbzugang, für Optoleisten mit 24 Elementen
102 805	cegard/Lift LX Steuereinheit mit Riegelschütz für zwei Fahrkorbzugänge, für Optoleisten mit 24 Elementen
101 384	cegard/Lift LY Steuereinheit mit Gleichrichtermodul für einen Fahrkorbzugang verdrahtet für Rieglmagnete mit DC-Speisung 180 ... 220 V, 2 A, für Optoleisten mit 16 Elementen
101 385	cegard/Lift LY Steuereinheit mit Gleichrichtermodul für zwei Fahrkorbzugänge verdrahtet für Rieglmagnete mit DC-Speisung 180 ... 220 V, 2 A, für Optoleisten mit 16 Elementen
101 072	Leistenpaar 0.7 ... 4 m, 16 Elemente, Überwachungshöhe 1'630 mm
101 073	Leistenpaar 4 ... 8 m, 16 Elemente, Überwachungshöhe 1'630 mm
102 809	Leistenpaar 0.7 ... 4 m, 24 Elemente, Überwachungshöhe 1'908 mm
102 812	Leistenpaar 0.7 ... 4 m, 16 Elemente, Überwachungshöhe 2'012 mm

13.2. Ersatzteile / Einzelteile

CEDES Artikelnummer	Beschreibung
100 949	Steuereinschub
100 937	Sendeleiste, 16 Elemente
100 936	Empfängerleiste 0.7 ... 4 m, 16 Elemente
100 951	Empfängerleiste 4 ... 8 m, 16 Elemente
100 952	Auswerteeinschub für einen Fahrkorbzugang
100 976	Auswerteeinschub für zwei Fahrkorbzugänge
101 250	IR-transparente Abdeckung für das Hinterwandmontageset
101 604	Leistungsschütz komplett verdrahtet für Rieglmagnete mit AC- oder DC-Speisung von 230 / 380 V bis 16 A, aufsnappbar auf DIN-Hutschiene.
101 756	Gleichrichtermodul komplett verdrahtet für Rieglmagnete mit DC-Speisung 180 ... 220 V, 3 A, aufsnappbar auf DIN-Hutschiene.

13.3. Zubehör

CEDES Artikelnummer	Beschreibung
100 847	Montagekit für die Hinterwandmontage eines Zugangs: Inklusive Bohrschablone, Bohrer, Abdeckblech, gelb-schwarz lackiert und sämtlichem Befestigungsmaterial (nur für Standard-Leisten, 16 Elemente).
999 402	Montagekit und Abweiserblech für die Aufputzmontage eines Zugangs: Inklusive Bohrschablone, Bohrer, Abdeckblech rostfrei, gelb-schwarz lackiert und sämtlichem Befestigungsmaterial (nur für Standard-Leisten, 16 Elemente).
999 052 (running out)	Schaltrelais für die Ansteuerung einer Automatiktür oder für die Beladekontrollanzeige, pro Zugang wird ein Stück benötigt.
100 849	Alarmgeber für Aufputzmontage inklusive 4 m Anschlusskabel für Dauer- oder Intervallton
104 075	Gabellichtschränke GLS 126 NT für Überbrückungsverzögerung, 5 m Kabel, NC
104 073	Gabellichtschränke GLS 126 NT für Überbrückungsverzögerung, 5 m Kabel, NO
101 291	Bohrschablone für Optoleiste (nur für Standard-Leisten, 16 Elemente, Art. Nr. 101 072 und 101 073)
101 716	Halte-Modul komplett verdrahtet für die Einbindung eines Halteknopfes. Ein Betätigen des Halteknopfes wird gleich wie einen Nothalt behandelt, aufsnappbar auf DIN-Hutschiene.
101 243	Hinweisschild für Passagiere (Innenruf)
101 245	Hinweisschild für Passagiere (Resetaste)

Bestellbeispiel:

Ein Durchladeaufzug mit 6 m Öffnungsbreite benötigt:

- 1 Stück 101 071 Steuereinheit für 2 Fahrkorbzugänge
- 2 Stück 101 073 Leistenpaare 4 bis 8 m
- 2 Stück Montagesets nach Ihrer Wahl
- 1 Stück 100 849 Alarmgeber

Weitere Systeme, wie auch Zubehör auf Anfrage bei Ihrem CEDES-Partner oder Ihrer CEDES-Vertretung.

13.4. Kundenspezifische Leistenpaare

CEDES Artikelnummer	Beschreibung
101 471 AXXXX	Leistenpaar 16 Elemente Länge der Leisten und Überwachungshöhe auf Wunsch
101 472 AXXXX	Leistenpaar 24 Elemente Länge der Leisten und Überwachungshöhe auf Wunsch

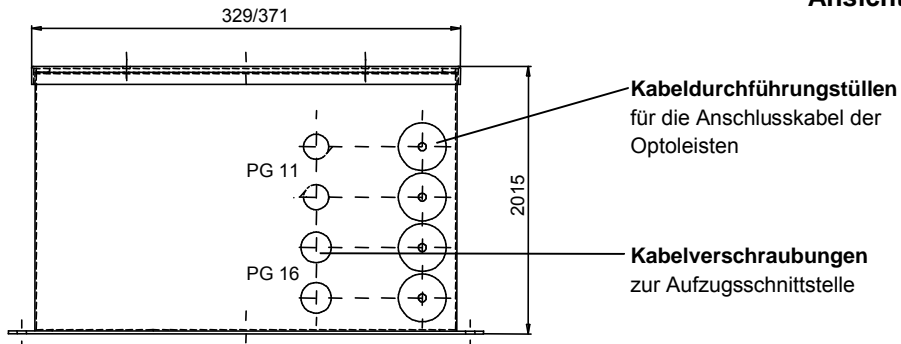
Auf Wunsch, können die Leisten auch in IP67 bezogen werden.

14. Massbilder

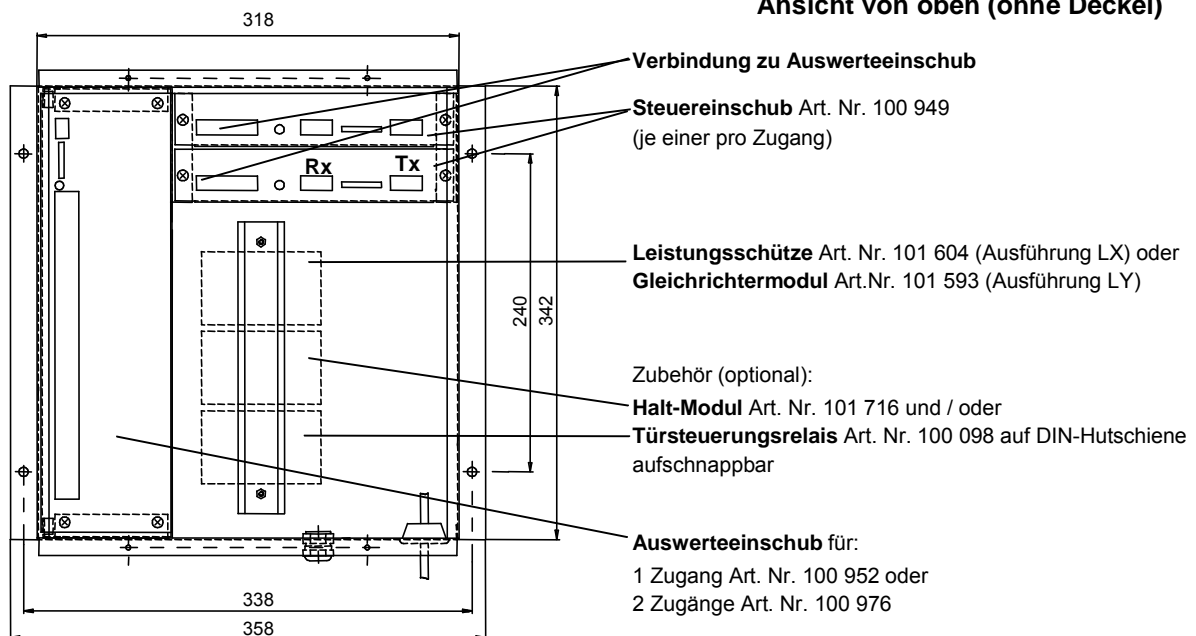
14.1. Gehäuse - Steuereinheit

Die Artikelnummern beziehen sich auf das entsprechende Zubehör- oder Ersatzteil.

Ansicht Anschlussseite

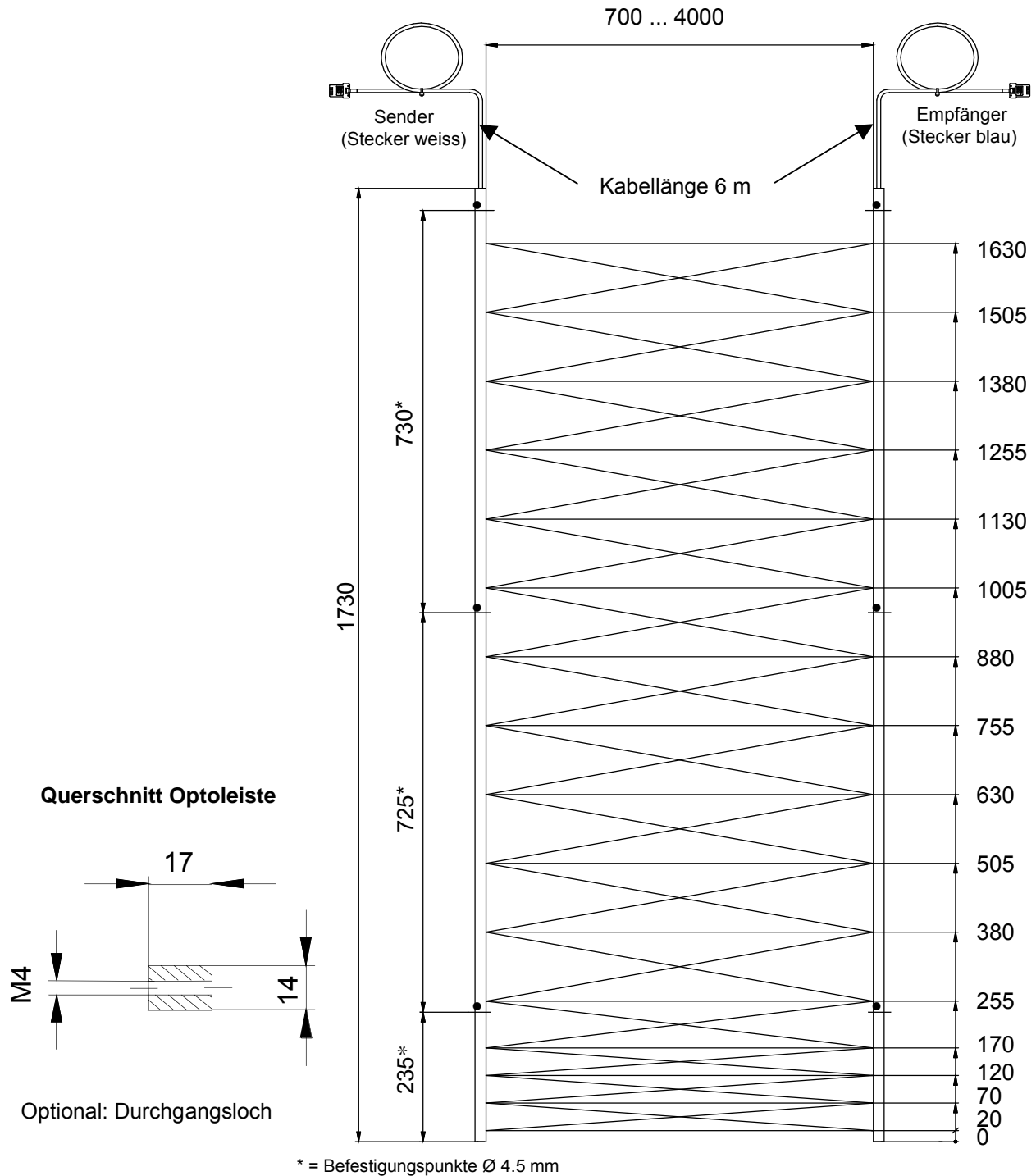


Ansicht von oben (ohne Deckel)



Alle Abmessungen in mm

14.2. Optoleisten cegard/Lift LX,LY (Art. Nr. 101 072 & 101 073)





Optional:

- 70 Strahlen (24 Sensoren)
- Reichweite 4 ... 8 m
- Auf Wunsch Kundenspezifische Lösungen mit 16 oder 24 Elementen

(Alle Abmessungen in mm)

A. Certificates / Zertifikate

A.1. Declaration of conformity / Konformitätserklärung

<p>Konformitätserklärung Declaration of Conformity Déclaration de Conformité Dichiarazione di Conformità Deklaracja zgodności</p>	
<p>Wir / We / Nous / Noi / My</p> <p>erklären in alleiniger Verantwortung, dass declare in sole responsibility that déclarons sous notre propre responsabilité que dichiariamo sotto propria responsabilità che deklarujemy z pełną odpowiedzialnością, że</p>	<p>CEDES AG Science Park CH-7302 Landquart Switzerland</p>
<p>die Produktfamilie the product range la famille de produit la gamma di prodotti rodzina wyrobów</p>	<p>cegard/Lift (USL800/LX, USL800/LY, USL800/LI)</p>
<p>die Produktbeschreibung the product description la description du produit la descrizione del prodotto opis produktu</p>	<p>Lichtgitter Light curtain Barrière immatérielle Barriera fotoelettrica Kurtyna świetlna</p>
<p>den Anforderungen der folgenden Richtlinien entspricht meets all the provisions of the following directives remplit toutes les exigences de la directives suivantes adempie a tutte le esigenze della direttive seguenti odpowiada wszystkim wymaganiom dyrektywy następczy</p>	<p>2006/42/EG</p>
<p>Andere normative Dokumente Other standards D'autre normes Altre norme Inne dokumenty normatywne</p>	<p>EN ISO 12100-1, -2; 2003 EN ISO 60204-1; 2006 EN 62061; 2006 IEC 61496-2; 2006 EN ISO 13849-1:2008</p>
<p>Prüfberichte / EG Baumusterprüfung Test reports / EC type examination Rapports de test Relazioni sull'esperimento Nr raportu technicznego</p>	<p>EC-type examination from notified body 0044 TÜV NORD CERT GmbH Langemarckstr. 20 45141 Essen, Germany EC-type examination certificate No. 44 205 12 409949-001 EC-Declaration of conformity was issued</p>
<p>Ort und Datum Place and date Lieu et date Luogo e data Miejsce i data</p>	<p>CEDES AG, CH-7302 Landquart 2012-07-30</p> <p></p> <p>R. Degiacomi</p>
<p>Name und Funktion Name and function Nome et fonction Nome e funzione Nazwisko i stanowisko</p>	<p>Leiter Qualitätsmanagement / Technische Dokumentation Head of Quality Management / Technical Documentation Directeur de Qualité / Documentation Technique Responsabile Gestione Qualità / Documentazione TechnicaDyrektor ds. Jakości / Dokumentacji Technicznej</p>

A.2. TÜV-Certificate / TÜV-Zertifikat



Zertifikat

Certificate

Registrier-Nr.
Registered No.
44 780 12 409949 - 001

Zeichen des Auftraggebers <i>Customer's reference</i>	Auftragsdatum <i>Date of order</i> 28.06.2012	Aktenzeichen <i>File reference</i> 8000409949	Technischer Bericht Nr. <i>Test report no.</i> 12 205 409949-001	
Name und Anschrift des Auftraggebers	CEDES AG Science Park 7302 Landquart Switzerland		<i>Name and address of the customer</i>	
ist berechtigt, das unten genannte Produkt mit dem abgebildeten Zeichen zu kennzeichnen			<i>is authorized to provide the product mentioned below with the mark as illustrated</i>	
Fertigungsstätte	Siehe Auftraggeber / <i>see customer</i>		<i>Manufacturing plant</i>	
Geprüft nach	EN 62061:2005 EN 61508:2010 EN ISO 13849-1:2008 EN 61496-1:2004 +A1:2008 CLC/TS 61496-2:2006		<i>Tested in accordance with</i>	
Beschreibung des Produktes	Lichtgitter zur Absicherung von Lastenaufzügen ohne Tür <i>Light curtain to protect goods passenger lifts without cabin door</i>		<i>Description of product</i>	
Technische Daten	cegard®/lift Typen/type: Li, Lx und/and Ly		<i>Technical data.</i>	
	Ly:	Type cegard®/lift Li: Rated voltage: 17...30V _{DC} Rated current: < 150mA IP rating: 20 (Control unit) 65 (light curtain) Reaction time: max. 100ms typ. 50ms Temperature: -20...+65°C	Type cegard®/lift Lx, 195...265V _{AC} / 50...60Hz < 100mA 54 (Control unit) 65 (light curtain) max. 150ms typ. 100ms -20...+65°C	
Bemerkung	Das Lichtgitter erfüllt die Anforderungen gemäß EN 62061 / EN 61508 SIL2 und EN ISO 13849-1 Cat.2 / PL d. <i>The light curtain fulfils the requirements according to EN 62061 / EN 61508 SIL2 and EN ISO 13849-1 cat.2 / PL d.</i>		<i>Remark</i>	
TÜV NORD CERT GmbH Zertifizierungsstelle für Produktsicherheit 			Gültig bis/ Valid until: 19.07.2017 Hannover, 20.07.2012	
Bitte beachten sie auch die umseitigen Hinweise <i>Please also pay attention to the information stated overleaf</i>				
Langemarckstr. 20 • 45141 Essen • Fon +49 (0)201 825 5120 • Fax +49 (0)201 825 3209 • Email: prodcert@tuev-nord.de				

