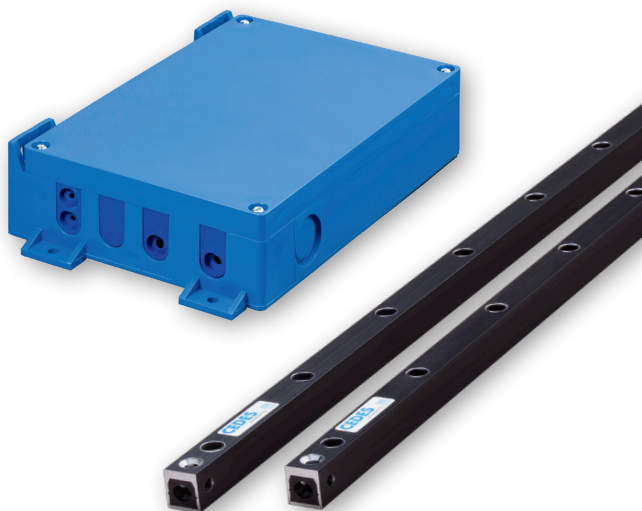


cegard/Mini-MOD

Installation and Operation Manual



CEDES AG is certified according to ISO 9001: 2015

English	Pages	2 – 9
Deutsch	Seiten	10 – 17
Français	Pages	18 – 25
Italiano	Pagine	26 – 33
Español	Páginas	34 – 41
Svenska	Sidorna	42 – 49

1. Safety information

**IMPORTANT!
READ BEFORE INSTALLATION!**

The cegard/Mini-MOD was developed and manufactured using state-of-the-art systems and technologies. However, injury and damage to the sensor can still occur.

To ensure safe conditions:

- ▶ Read all enclosed instructions and information.
- ▶ Follow the instructions given in this manual carefully.
- ▶ Observe all warnings included in the documentation and attached to the sensor.
- ▶ Do not use the sensor if it is damaged in any way.
- ▶ Keep the instruction manual on site.

Failure to do so may cause customer complaints or serious call backs. It is the responsibility of the specifier, purchaser and installer to ensure that on completion, the installation complies with all relevant federal, state and local codes and regulations that apply to your application.

For elevator and escalator applications, particular attention should be given to clause 2.13.5 reopening devices for power - operated car doors or gates outlined in ASME A17.1-2010 / CSA B44-10 safety code for elevators and escalators.

This light curtain system must be installed by authorized and fully trained personnel only. Follow all necessary safety precautions during the installation process, including taking the elevator or door out of service during installation. It is important to note that objects thinner than the beam spacing may not be detected.

1.1 Non-intended use

The cegard/Mini-MOD **must not be** used for:

- Protection of dangerous machines
- Equipment in explosive atmospheres
- Equipment in radioactive environments



Use only specific and approved safety devices for such applications, otherwise serious injury or death or damage to property may occur!

2. Symbols, safety messages

Symbol	Meaning
▶	Single instruction or measures in no particular order
1. 2. 3.	Sequenced instructions
•	List, in no order of importance
→	Reference to a chapter, illustration or table within this document
Important	Important information for the correct use of the sensor

2.1 Safety messages categories

Warning of serious health risks

WARNING
Serious health risks

Highlights critical information for the safe use of the sensor. Disregarding these warnings can result in serious injury or death.

- ▶ Follow the measures highlighted by the triangle-shaped arrows
- ▶ Consult the safety information in Chapter 2 of this manual

Caution of possible health risk

CAUTION
Possible health risks

Highlights critical information for the safe use of the sensor. Disregarding these warnings can result in injury.

- ▶ Follow the measures highlighted by the triangle-shaped arrows
- ▶ Consult the safety information in Chapter 2 of this manual

Notice of damage risk

NOTICE
Risk of damage

Disregarding these notices can lead to damage to the sensor, the door controller and/or other devices.

- ▶ Follow the measures highlighted by the triangle-shaped arrows

3. Introduction

The cegard/Mini-MOD (for modernization) features the proven and ultra-reliable cegard/Mini light curtain with the Universal Power Supply (UPS). This package is ideal for cost-efficient elevator modernization. Its operating range and universal voltage of 20 ... 265 VAC or 20 ... 375 VDC, together with the potential-free relay output, means it can be quickly and easily integrated into existing facilities. Complete kits for modernization, a vast range of accessories and special configurations are available. The modernization kits are optimized to suit a specific door drive or car type.



Figure 1: Dynamic application



Figure 2: Static application

3.1 Features of the cegard/Mini-MOD

- Can be installed anywhere thanks to its range and universal voltage of 20 ... 265 VAC or 20 ... 375 VDC
- Relay output for easy integration into existing systems
- Ideal for retrofitting using different optimized door mounting kits
- Customer-specific profile lengths and resolutions available
- Waterproof IP67 edges version available
- Edge can be front or side mounted; mounting holes are compatible with cegard/Mini, MiniMax and cegard/Max

3.2 System components

The cegard/Mini-MOD comes with a customer-specific delivery package. A typical delivery package contains:



Figure 3: Typical cegard/Mini-MOD delivery package

- 1 x emitter edge (Tx)
- 1 x receiver edge (Rx)
- 1 x connection cable 5 m, emitter edge
- 1 x connection cable 5 m, receiver edge
- 1 x UPS (Unisversal Power Supply)
- 1 x installation and operation manual

A variety of mounting accessories is also available on request.

3.3 Backwards compatibility with cegard/Max

- The UPS is fully backwards-compatible electrically (same interface connector).
- The UPS and edges are fully backwards-compatible mechanically. (There may be small differences in the physical length of the edges)

3.4 Light curtain edges

The emitter and the receiver edges create a grid of infrared beams, which safeguards the door entrance to a height of 1,800 mm (6 feet). The number of beams covering the entrance area depends on the model in use. The number after the product name cegard/Mini-MOD indicates the length of the light curtain and the second number is the amount of active opto-elements.

Due to the use of criss-cross beams, the number of active beams used for the door protection is higher than the number of elements. (e.g. 16 elements corresponds to 74 beams). Using this technique a much higher density of the protection field can be achieved. The criss-cross beams are kept up by the system as long as the geometrics of the optics allows it.

No. of elements	No. of beams	Approximately shut-off distance for criss-cross beams
16	74	< 800 mm
24	114	< 600 mm
32	154	< 600 mm
36*	174	0 mm

* EN 81-20 compliant

3.5 UPS (Universal Power Supply)

The UPS accepts a wide input voltage range from 20 ... 265 VAC or 20 ... 375 VDC which is converted to 24 VDC to supply the light curtain edges. The high and low power sides are electrically isolated. The light curtain's semiconductor output is also converted to a potential-free relay contact. An LED signals any change in the status of the relay output from the UPS. To indicate an interruption of the light curtain, a buzzer can be switched on.

The device comes enclosed in an IP54-rated housing with an integrated EMC filter and short-circuit protection. If DC voltage is used for powering the UPS, the polarity of the terminals L and N is irrelevant. All necessary hardware, connectors and instructions are included. Proper wiring is enabled by separate clamps for emitter and receiver.

Important: The UPS interface connector to the door drive is backwards compatible with the cegard/Max interface connector to the door-drive.

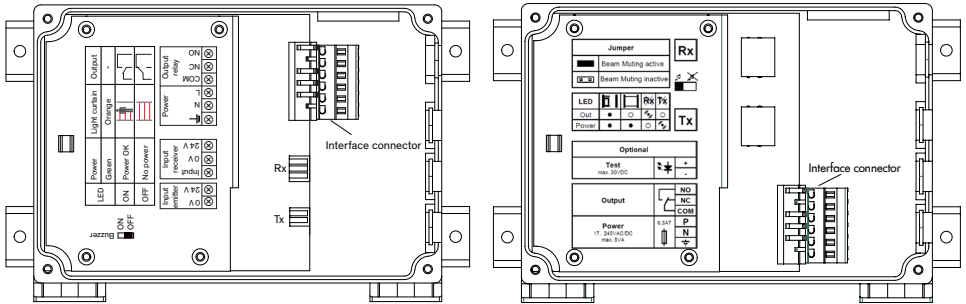
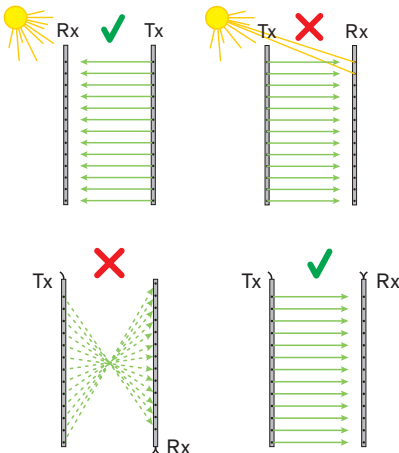


Figure 4: The UPS has the same interface connector to the door drive as the cegard/Max controller and is therefore backwards compatible

3.6 General instructions and precautions

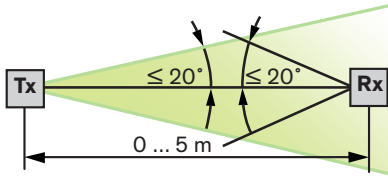


- ▶ Never scratch or paint the optical lenses because they form the light path! Do not drill additional holes into the profile. Unpack the profiles just before installation in order to avoid damage.
- ▶ Do not bend or twist the edges!
- ▶ Oil can damage the cables. Contamination must be avoided at all times!



- ▶ Although the cegard/Mini-MOD is insensitive to direct sunlight, avoid all unnecessary exposure if possible, most especially to the receiver.
- ▶ Avoid interference from blinking lights or infrared light sources such as photo cells or other light curtains.
- ▶ Do not install the cegard/Mini-MOD in places where the emitter and receiver edges are directly exposed to light sources such as FL tubes or energy saving lamps.
- ▶ Make sure to place the connection plugs for both the emitter and receiver at the same end.

3.7 Alignment



The optical axis of the emitter (Tx) and the receiver edge (Rx) need to be aligned towards each other to ensure the light curtain functions reliably.

CAUTION
Possible health risks

- ▶ It is important that the alignment angle of the emitter (Tx) to the receiver (Rx) is less than $\pm 10^\circ$ when the door is fully closed. We recommend that you keep this angle as close to zero as possible (see figure left).



Reflective surfaces near to or parallel to the safeguarded area can cause reflections. Although the cegard/Mini-MOD is very robust against such reflections, it is always advisable to keep a reasonable distance between the sensor edges and any reflective surface.

4. Installation

The installation should be carried out as follows:

4.1 Follow the safety instructions

- ▶ Switch off main power to the elevator control system and mark clearly that the elevator is out of service.
- ▶ Follow all applicable safety measures.
- ▶ Make sure that your installation complies with all applicable regulations and safety measures.

4.2 Mounting the emitter and receiver edges

The emitter (Tx) and the receiver (Rx) edge can be mounted either to the door wings, to the door wing and the slam post, or to a frame that is attached to the car. Please note that the receiver (Rx) (the one with the blue connector) can be sensitive to 'foreign' light. So it is recommended to mount the receiver (Rx) edge so that no sunlight shines directly into the receiver lens.

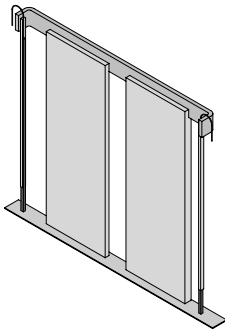


Figure 5: Static mounting

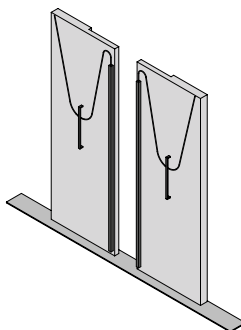
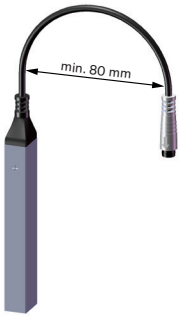


Figure 6: Dynamic mounting

4.3 Guide the emitter and receiver edge cables

Guide the cables properly using appropriate mounting material, e.g. cable protection tubes, neoprene cable ties, cable guide wires (depending on the type of mounting kit used). The cegard/Mini-MOD meets all standards for resistance to electromagnetic interference (EMI). However, it is prudent to guard against interference. Therefore, do not guide cegard/Mini-MOD connection cables close to cables carrying high voltage and/or high current. The cegard/Mini-MOD cables should also be mounted as far away as possible from the door drive motor or motor inverter (VVVF-drives) to avoid EMI problems.



NOTICE

- ▶ Ensure that the cable bending radius is greater than 80 mm when cables are mounted.
- ▶ If the cables are not properly fixed and guided, their lifetime could be reduced drastically. They can also be damaged due to possible swinging and snagging in the hoistway! Always follow the cable guide instructions carefully, which can be found in the appropriate mounting kit installation and operation manual.
- ▶ It is very important to install cables properly to ensure the highest possible reliability and lifespan of the light curtain. A properly installed cable will withstand more than 20 million door movements, while a poorly installed cable could break after less than 100,000 door movements.

4.4 Dynamic mounting

The following figure provides an overview of the installation of the cegard/Mini-MOD in an elevator application. Additional details are provided in the mounting kit manuals.

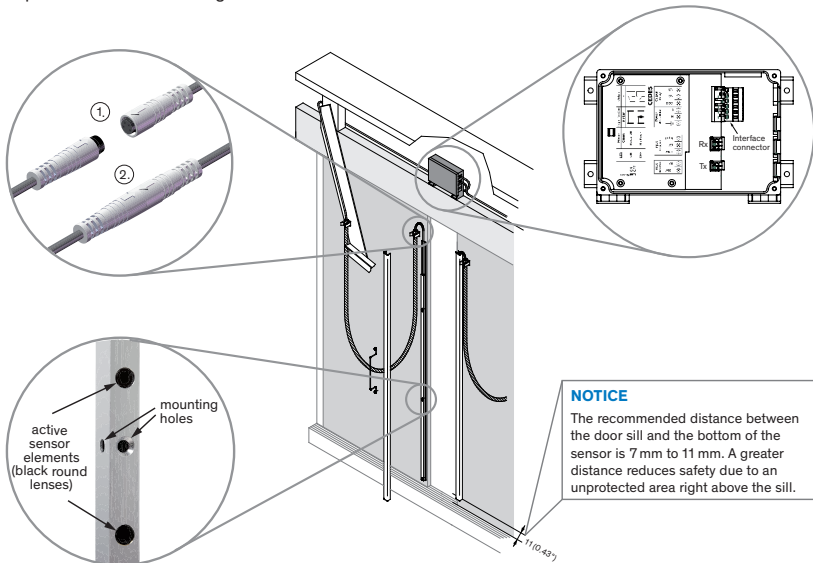


Figure 7: Mounting example for an elevator door protection application

4.5 Installation of the UPS (Universal Power Supply)

The UPS can be mounted horizontally or vertically with four screws near the door drive. The mounting is backwards compatible with the cegard/Max controller.

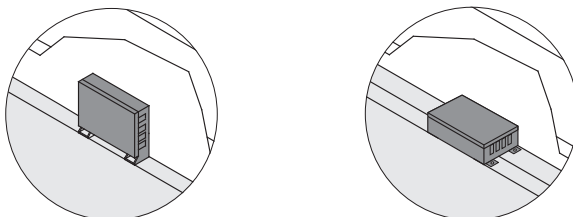
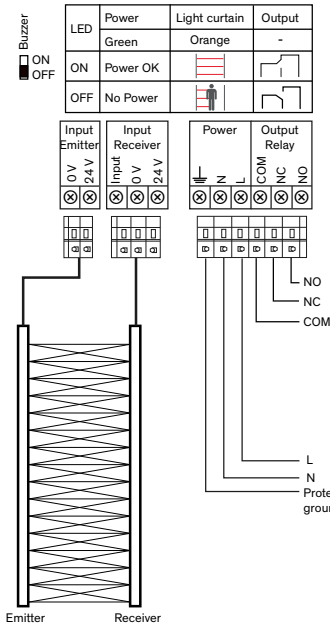


Figure 8: Mounting possibilities of the UPS

5. Electrical connection



UPS LED definition:
 - Power LED (green) is ON, if supply voltage is connected correctly.
 - Output LED (orange) is ON, if the protected area is not obstructed.

Buzzer definition:
 - Buzzer is OFF, if the protected area (light curtain) is not obstructed.

Relay definition:
 In the configuration shown, the relay is energized if there is voltage applied and there is no obstruction. Contact between COM and NO (safest connection).

IMPORTANT
 The contact rating of the output relay is:

- ▶ max. 250 VAC / 5 A
- max. 125 VDC / 0.5 A
- max. 30 VDC / 5 A
- min. 5 VDC / 10 mA

Power supply:
 20 ... 265 VAC or
 20 ... 375 VDC

IMPORTANT
 ▶ The UPS interface connector to the door drive is backwards compatible with the cegard/Max interface connector to the door-drive.

Figure 9: Wiring of UPS with a light curtain

Connecting light curtain to the UPS

- ▶ The receiver connector (3 pin WAGO connector) must be plugged into the receiver input (3 pin WAGO plug).
- ▶ The emitter connector must be plugged into the emitter input (2 pin WAGO plug).

Follow the wiring diagram (Figure 9) to connect the door drive to the relay output. The whole unit will only work according to the closed circuit principle if the relay is connected as shown in Figure 9.

CAUTION
Possible health risks

- ▶ This device (as well as all other door protection systems on the market) cannot – by its nature – provide absolute safeguarding for elevator passengers passing through the doorway. It must not be used as the final fail-safe device of the door mechanism. This ultimate safety function has to be provided by a fail-safe force and kinetic energy limiter.

5.1 Power-up and test for proper function

Ensure that all job site wiring and connections are correct and then apply power. After this, the relay is energized so that the doors can close. However, when there is any obstacle in the protected area, the relay will remain de-energized until the whole area is free and all beams are uninterrupted. The green LED in the UPS indicates that there is supply voltage available. An orange LED indicates the status of the light curtain and the output relay.

The cegard/Mini-MOD receiver and emitter (Rx and Tx) edge have been correctly installed. In each edge there is one optical indicator (LED) which indicates the light curtain's status.

	Edge	LED color	LED ON	LED OFF	LED FLASHING
	Rx	Orange	Power OK Object detected	No Power or no object	1 element broken*
	Tx	Green	Power OK	No Power	

* The cegard/Mini-MOD features a muting function. This allows the light curtain to continue to function when one element is broken.

Please note:

This function is not available in the USA and in Canada.

Installation tip:

When the buzzer on the UPS is switched on with the switch, an interrupted beam is indicated with a buzzer signal. This function is very helpful after installation to check the proper function of the UPS as well as that of the connected light curtain.

6. Troubleshooting

Fault / Problem	Action
Door remains open; green and orange LED on the edges are OFF	Is the UPS (Universal Power Supply) power supply OK? <ul style="list-style-type: none"> ▶ Measure the main power on the connector. The main power must be 20 ... 265 VAC or 20 ... 375 VDC. ▶ Check the power LED (green) on the UPS. Is any wire broken? <ul style="list-style-type: none"> ▶ Measure and check the main power cables. ▶ Measure and check the emitter and receiver cables by moving the cables by hand.
Door remains open; beams are not interrupted	Is the light curtain correctly connected to the UPS? <ul style="list-style-type: none"> ▶ Make sure that the emitter and receiver cables are connected to the UPS. Is the grounding (PE) connection faulty? <ul style="list-style-type: none"> ▶ Make sure that the grounding (PE) is connected to the UPS. Are the sensors looking "face-to-face"? <ul style="list-style-type: none"> ▶ It is important that the active parts of the emitter and receiver units are mounted so that they face each other. The active sensor part is the side with the black round lenses. Are the sensors or vision shields dirty? <ul style="list-style-type: none"> ▶ The active sensor part is the side with the black round lenses. Make sure that the black lenses are clean and not painted or scratched. ▶ Make sure that the vision shields are not painted or scratched. Is any beam interrupted? <ul style="list-style-type: none"> ▶ Make sure that no object blocks the light path between emitter and receiver while the door is open and while the door is closing. Are the edges incorrectly aligned? <ul style="list-style-type: none"> ▶ The optical axis of the emitter (Tx) and the receiver edge (Rx) need to be aligned towards each other to ensure the light curtain functions reliably. Is there excessive EMC interference e.g. from door drive? <ul style="list-style-type: none"> ▶ Do not guide the cegard/Mini-MOD connection cables close to cables carrying high voltage and/or high current. The cegard/Mini-MOD cables should also be mounted as far away as possible from the door drive motor or motor inverter (VVVF-drives) to avoid EMI problems. Is there excessive light interference e.g. from fluorescent lamps? <ul style="list-style-type: none"> ▶ Do not install the cegard/Mini-MOD receiver edges directly exposed to light sources such as FL tubes or energy saving lamps.
Door closes only when an object interrupts the beams.	Is the relay output logic set correctly? <ul style="list-style-type: none"> ▶ Check if the elevator / door controller needs a normally-open or normally-closed logic.
Random door openings	Is either the emitter or receiver cable damaged? <ul style="list-style-type: none"> ▶ Check for breaks in the cables by feeling the cables by hand. Is there any interference with the emitter from other infrared sensors (either directly or via mirroring from shiny surfaces)? <ul style="list-style-type: none"> ▶ Avoid interference from blinking lights or infrared light sources such as photo cells or other light curtains. ▶ Reflective surfaces near or parallel to the safeguarded area can cause reflections.

If a problem persists, please contact your local CEDES representative. Visit www.cedes.com for contact data.

7. Maintenance

Although the cegard/Mini-MOD system does not need periodical maintenance, a functional check at least with every elevator maintenance check is strongly recommended. This periodic functional test should consist of the following: The optical sensor elements are clear of dirt and dust. If necessary, clean the front surface with a soft towel.

- ▶ Test the reopening function over the whole door area. The door should reopen if an object is placed anywhere between the sill and up to 1,800 mm (standard configuration) above the sill.
- ▶ Clean the front surface of the receiver and emitter with a soft towel from dust or dirt. This is especially important when the door edges are installed before the construction of the building is finished (perhaps weekly during construction). To clean the surface with a towel, it must be either dry or slightly moist, but not wet.
- ▶ Ensure the edges are fastened securely to the door wings and slam post.
- ▶ Ensure the cables are routed properly as described in the appropriate mounting kit installation instructions.

8. Disposal

The cegard/Mini-MOD system should only be replaced if a similar door protection device is installed. Disposal should be done through state of the art recycling technology according to local rules and regulations.

There are no harmful materials used in the design and manufacture of the light curtain. Traces of such dangerous materials may be used in the electronic components but not in quantities that are harmful to health.

NOTICE

Damage to the optical elements

- ▶ Do not use any aggressive cleaning solvents like acetone or trichloride or mechanically abrasive towels to clean the vision shields, the receiver edge (Rx) or the transmitter edge (Tx) as these will likely cause damage.
- ▶ We strongly recommend using standard window cleaners or soap and water for cleaning.

1. Sicherheitshinweise

WICHTIG!
VOR DER MONTAGE LESEN!

Der cegard/Mini-MOD wurde mit Systemen und Technologien entwickelt und gefertigt, die dem neuesten Stand der Technik entsprechen. Trotzdem können Verletzungen oder Schäden auftreten.

Für sichere Arbeits- und Betriebsbedingungen:

- ▶ Alle relevanten Dokumente lesen.
- ▶ Alle Anweisungen in dieser Anleitung befolgen.
- ▶ Alle Warnungen in dieser Anleitung und auf dem Gerät beachten.
- ▶ Beschädigte Sensoren nicht mehr benutzen.
- ▶ Bedienungsanleitung beim Sensor aufbewahren.

Die Missachtung dieser Grundregeln kann Kundenreklamationen oder umfangreiche Rückrufe zur Folge haben. Derjenige, der die Spezifikation festgelegt sowie Einkauf und Montage durchgeführt hat, muss in eigener Verantwortung sicherstellen, dass die Anlage alle Gesetze und Vorschriften auf der lokalen, regionalen oder überregionalen Ebene erfüllt, die für die jeweilige Anlage massgeblich sind.

Für Aufzugs- und Rolltreppenanwendungen ist insbesondere Absatz 2.13.5 über Vorrichtungen zum Wiederöffnen elektrisch betätigter Türen oder Tore von Aufzugskabinen in den Sicherheitsvorschriften für Aufzüge und Rolltreppen, ASME A17.1-2010 / CSA B44-10, zu beachten.

Diese Lichtvorhangsysteme dürfen nur von dafür zugelassenem, umfassend geschultem Fachpersonal montiert werden. Während der Montage müssen alle erforderlichen Sicherheitsmassnahmen beachtet werden. Hierzu gehört auch die Ausserbetriebnahme des Aufzugs oder der Tür während der Montage. Es ist wichtig zu beachten, dass Gegenstände, die schmaler als der Abstand der Lichtstrahlen sind, möglicherweise nicht erkannt werden.

1.1 Nicht bestimmungsgemässe Verwendung

cegard/Mini-MOD **darf nicht** eingesetzt werden:

- Zum Schutz von gefährlichen Maschinen
- Anlagen in explosiven Atmosphären
- Anlagen in radioaktiven Atmosphären



Für Anwendungen dieser Art dürfen nur spezielle, dafür zugelassene Sicherheitsvorrichtungen eingesetzt werden. Andernfalls kann dies zu schweren Verletzungen, Todesfällen oder Sachschäden führen!

2. Symbole und Sicherheitshinweise

Symbol	Bedeutung
▶	Einzelne Handlungsaufforderung ohne bestimmte Reihenfolge
1. 2. 3.	Handlungsaufforderung in einer bestimmten Reihenfolge
•	Aufzählungspunkt, Reihenfolge ist unerheblich
→	Verweis auf ein Kapitel, eine Abbildung oder Tabelle in diesem Dokument
Wichtig	Wichtige Informationen zur richtigen Nutzung des Sensors

2.1 Warnhinweiskategorien

Warnung vor schwerwiegenden Gesundheitsgefahren

WARNUNG
Schwerwiegende Gesundheitsgefahren

Enthält wichtige Informationen zur sicheren Nutzung des Sensors. Nichtbeachten dieser Warnungen kann zu schweren Verletzungen oder zum Tod führen.

- ▶ Handlungsaufforderungen nach dreieckigen Pfeilen befolgen
- ▶ Die Sicherheitshinweise in Kapitel 2 dieser Anleitung beachten

Hinweis auf mögliche Gesundheitsgefahren

VORSICHT
Mögliche Gesundheitsgefahren

Weist auf wesentliche Informationen zum sicheren Gebrauch des Sensors hin. Nichtbeachten dieser Hinweise kann zu Verletzungen führen.

- ▶ Handlungsaufforderungen nach dreieckigen Pfeilen befolgen
- ▶ Die Sicherheitshinweise in Kapitel 2 dieser Anleitung beachten

Hinweis auf Gefahr von Sachschäden

HINWEIS
Gefahr von Sachschäden

Nichtbeachten dieser Hinweise kann zu Schäden am Sensor, der Türsteuerung und/oder anderen Einrichtungen führen.

- ▶ Handlungsaufforderungen nach dreieckigen Pfeilen befolgen

3. Einleitung

Der cegard/Mini-MOD (für Modernisierungen) umfasst den bewährten und äusserst zuverlässigen cegard/Mini Lichtvorhang mit dem universellen Netzgerät (Universal Power Supply, kurz „UPS“). Dieses Paket ist ideal für die kostengünstige Aufzugs-Modernisierung. Dank seiner grossen Reichweite und universellen Einsatzfähigkeit für Spannungen von 20 bis 265 VAC oder 20 bis 375 VDC in Verbindung mit dem potentialfreien Relaisausgang kann es schnell und einfach in bestehende Anlagen integriert werden. Erhältlich sind komplette Modernisierungskits, eine grosse Auswahl an Zubehör und Spezialkonfigurationen. Die Modernisierungskits sind jeweils für einen bestimmten Türantrieb oder Aufzugskabinentyp optimiert.



Abb 1: Dynamische Anwendung



Abb 2: Statische Anwendung

3.1 Merkmale des cegard/Mini-MOD

- Universell einsetzbar dank grosser Reichweite und universeller Speisung von 20 bis 265 VAC oder 20 bis 375 VDC
- Relaisausgang für einfache Einbindung in bestehende Systeme
- Ideal für Nachrüstungen geeignet dank der verschiedenen und angepassten Tür-Montagekits
- Erhältlich mit kundenspezifischen Leistenlängen und Auflösungen
- Leisten auch in wasserdichten IP67-Versionen erhältlich
- Leiste für frontale oder seitliche Montage geeignet, Montagelöcher kompatibel zu cegard/Mini, MiniMax und cegard/Max

3.2 Systemkomponenten

Der cegard/Mini-MOD wird als Paket mit kundenspezifischem Inhalt ausgeliefert. Ein Paket mit typischem Lieferumfang umfasst:



Abb 3: Typischer cegard/Mini-MOD Lieferumfang

- 1 x Senderleiste (Tx)
- 1 x Empfängerleiste (Rx)
- 1 x Anschlusskabel 5 m, Senderleiste
- 1 x Anschlusskabel 5 m, Empfängerleiste
- 1 x Universelles Netzgerät (UPS)
- 1 x Bedienungsanleitung

Auf Anfrage ist auch eine grosse Auswahl an Montage-Zubehör erhältlich.

3.3 Rückwärts-Kompatibilität mit cegard/Max

- Das UPS ist elektrisch vollständig rückwärtskompatibel (gleicher Schnittstellenanschluss).
- UPS und Leisten sind mechanisch vollständig rückwärtskompatibel. (Geringfügige Abweichungen bei der physikalischen Länge der Leisten sind möglich.)

3.4 Lichtvorhang-Leisten

Die Sender- und die Empfängerleiste erzeugen ein Raster von Infrarot-Strahlen, das den Türeingang bis zu einer Höhe von 1'800 mm schützt. Die Anzahl der Strahlen, die den Eingangsbereich durchqueren, hängt vom jeweils genutzten Modell ab. Die Zahl nach dem Produktnamen cegard/Mini-MOD gibt die Länge des Lichtvorhangs an, die zweite Zahl entspricht der Anzahl der aktiven optischen Elemente.

Da mit Kreuzstrahlen gearbeitet wird, ist die Anzahl der für die Türüberwachung genutzten aktiven Strahlen höher als die Anzahl der Elemente (16 Elemente entsprechen z. B. 74 Strahlen). Durch diese Technik kann ein Schutzfeld mit einer wesentlich höheren Dichte erreicht werden. Die Kreuzstrahlen werden vom System so lange aufrechterhalten, wie die Geometrie der Optik dies zulässt.

Anzahl Elemente	Anzahl Strahlen	Ungefäher Abschaltabstand für Kreuzstrahlen
16	74	< 800 mm
24	114	< 600 mm
32	154	< 600 mm
36*	174	0 mm

* EN 81-20 compliant

3.5 Universelles Netzgerät (UPS)

Das UPS akzeptiert Eingangsspannungen von 20 bis 265 VAC oder 20 ... 375 VDC, die für die Speisung der Lichtvorhang- Leisten in 24 VDC umgewandelt werden. Die Primär- und die Sekundärseite sind galvanisch getrennt. Auch der Halbleiterausgang des Lichtvorhangs wird in einen potentialfreien Relaiskontakt umgewandelt. Alle Änderungen des Schaltzustandes des UPS-Relaisausgangs werden von einer LED angezeigt. Eine Unterbrechung des Lichtvorhangs kann zusätzlich durch ein akustisches Signal gemeldet werden.

Das Gerät ist kurzschlussfest, verfügt über einen integrierten EMV-Filter und ist in ein Gehäuse mit Schutzklasse IP54 eingebaut. Wenn das UPS mit Gleichspannung gespeist wird, spielt die Polarität der Klemmen L und N keine Rolle. Der Lieferumfang umfasst alle benötigten Kleinteile, Stecker und die Bedienungsanleitung. Die korrekte Verkabelung ist durch separate Anschlüsse für Sender und Empfänger gewährleistet.

Wichtig: Der UPS-Schnittstellenanschluss zum Türantrieb ist rückwärtskompatibel zum Türantrieb- Schnittstellenanschluss von cegard/Max.

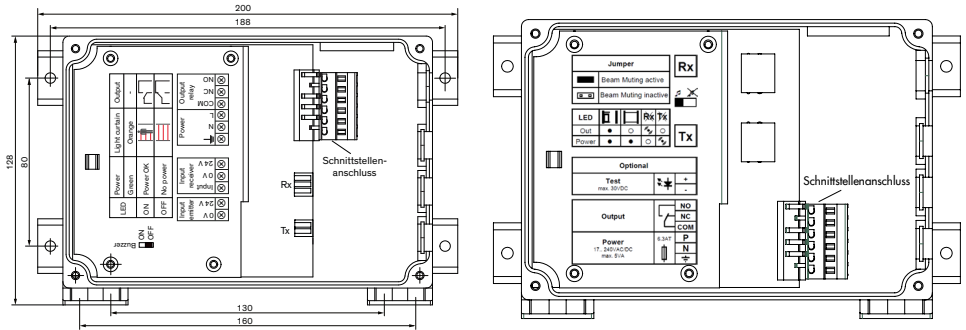
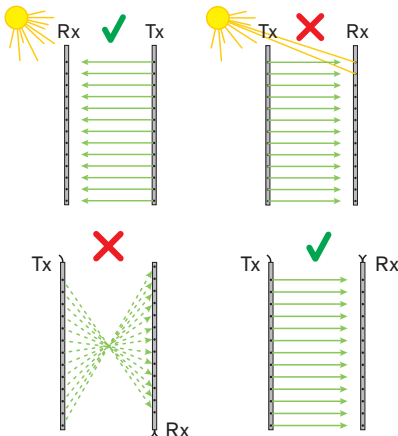


Abb 4: Das Netzgerät hat den gleichen Schnittstellenanschluss zum Türantrieb wie das cegard/Max Steuergerät und ist aufgrund dessen dazu rückwärtskompatibel.

3.6 Allgemeine Anweisungen und Vorsichtsmassnahmen

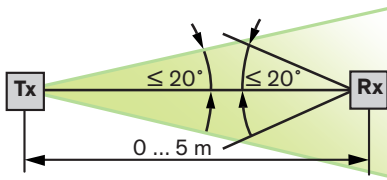


- ▶ Optische Linsen nicht zerkratzen oder mit Farbe überstreichen, denn sie bestimmen den Strahlengang! Keine zusätzlichen Löcher in das Profil bohren. Zur Vermeidung von Schäden die Profile erst unmittelbar vor der Montage auspacken.
- ▶ Leisten nicht verbiegen oder verdrehen!
- ▶ Öl kann die Kabel beschädigen. Stets darauf achten, dass Verunreinigungen vermieden werden!



- ▶ Der cegard/Mini-MOD ist zwar unempfindlich gegenüber direkter Sonneneinstrahlung, dennoch sollte direktes Sonnenlicht, vor allem auf den Empfänger, möglichst vermieden werden.
- ▶ Störungen durch Blinklichter oder Infrarot-Lichtquellen wie Fotzellen oder andere Lichtvorhänge vermeiden.
- ▶ cegard/Mini-MOD nicht an Orten montieren, an denen die Sender- und die Empfängerleiste Lichtquellen wie Leuchtstoffröhren oder Energiesparlampen direkt ausgesetzt sind.
- ▶ Die Stecker der Sender- und Empfängerleiste müssen in die gleiche Richtung zeigen.

3.7 Ausrichtung



Die optische Achse der Sender- und Empfängerleiste (Tx und Rx) muss aufeinander ausgerichtet sein, um einen zuverlässigen Betrieb des Lichtvorhangs sicherzustellen.



VORSICHT Mögliche Gesundheitsgefahren

- Es ist wichtig, dass der Ausrichtungswinkel des Senders (Tx) auf den Empfänger (Rx) bei vollständig geschlossener Tür kleiner als $\pm 10^\circ$ ist. Idealerweise sollte dieser Winkel möglichst nahe bei null liegen (siehe Abbildung links).



Reflektierende Oberflächen in der Nähe oder parallel zum überwachten Bereich können Reflexionen verursachen. Obwohl cegard/Mini-MOD gegenüber solchen Reflexionen sehr unempfindlich ist, sollte stets ein angemessener Abstand zwischen den Sensorleisten und einer reflektierenden Oberfläche eingehalten werden.

4. Montage

Die Montage ist wie folgt auszuführen:

4.1 Sicherheitsanweisungen beachten

- Ausschalten der Stromversorgung ausschalten und deutliche Kennzeichnung, dass der Aufzug ausser Betrieb ist.
- Alle anzuwendenden Sicherheitsmassnahmen einhalten.
- Sicherstellen, dass die Anlage alle geltenden Vorschriften und Sicherheitsmassnahmen erfüllt.

4.2 Montieren der Sender- und Empfängerleiste

Die Sender- und Empfängerleiste (Tx und Rx) können entweder an die Türflügel, an einen Türflügel und den Türpfosten auf der Schliessseite oder an einen an der Aufzugskabine befestigten Rahmen montiert werden. Hierbei ist zu beachten, dass der Empfänger (Rx) (blauer Anschluss) möglicherweise empfindlich auf Fremdlicht reagiert. Daher wird empfohlen, die Empfängerleiste (Rx) so zu montieren, dass Sonnenlicht nicht direkt in die Empfängerlinse scheinen kann.

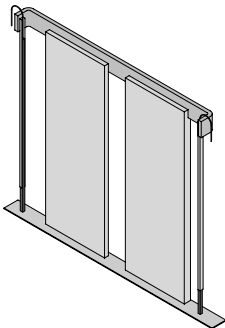


Abb 5: Statische Montage

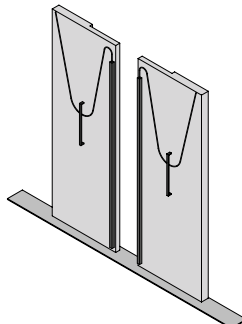
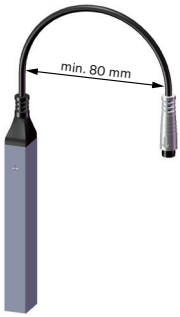


Abb 6: Dynamische Montage

4.3 Kabelführung für Sender- und Empfängerleiste

Die Kabelführung muss fachgerecht unter Verwendung des geeigneten Montagematerials erfolgen, z. B. mit Kabelschutztüllen, Kabelbinder, Kabelschutzschläuche (abhängig vom Typ des verwendeten Montagekits). Der cegard/Mini-MOD erfüllt alle Normen für die elektromagnetische Störfestigkeit (EMV). Schutzmassnahmen gegen Störungen sind dennoch sinnvoll. Anschlusskabel des cegard/Mini-MOD sollten daher nicht in der Nähe von Kabeln verlaufen, die hohe Spannungen und/oder hohe Ströme führen. Zur Vermeidung von EMV-Problemen sollten die cegard/Mini-MOD Kabel auch möglichst weit vom Motor des Türantriebs oder dem Motorumrichter (VVVF-Antriebe) entfernt sein.



HINWEIS

- ▶ Beim Montieren darauf achten, dass der Biegeradius des Kabels grösser als 80 mm ist.
- ▶ Wenn die Kabel nicht korrekt befestigt und geführt werden, könnte dies ihre Lebensdauer erheblich verkürzen. Möglich sind auch Schäden durch Schwingen und Scheuern im Aufzugsschacht! Kabelführungsanweisungen stets genau beachten. Sie sind der Bedienungsanleitung des zugehörigen Montagekits zu entnehmen.
- ▶ Die korrekte Kabelinstallation ist von entscheidender Bedeutung für maximale Zuverlässigkeit und eine optimale Lebensdauer des Lichtvorhangs. Ein korrekt installiertes Kabel hält mehr als 20 Millionen Türbewegungen stand. Ein unsachgemäss installiertes Kabel könnte dagegen nach weniger als 100'000 Türbewegungen brechen.

4.4 Dynamische Montage

Die folgende Abbildung gibt einen Überblick über die Montage des cegard/Mini-MOD in einer Aufzugsanwendung. Weitere Einzelheiten sind in den Anleitungen der Montagekits beschrieben.

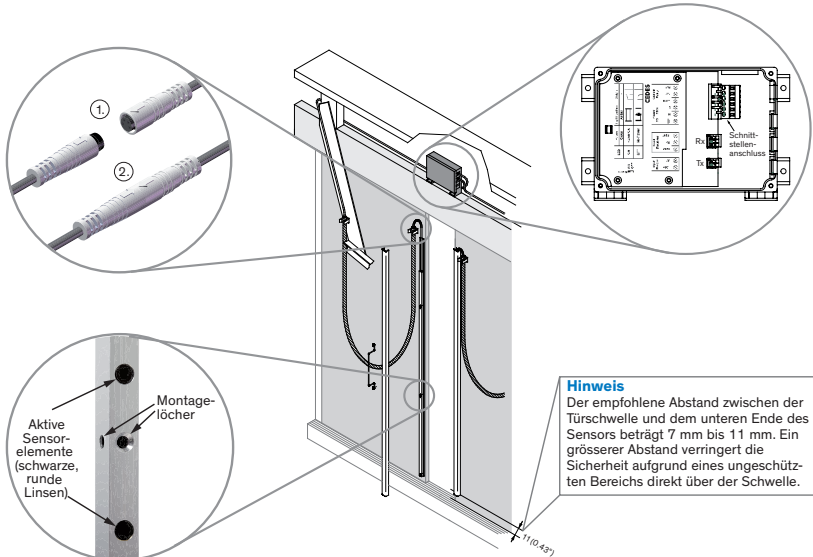


Abb 7: Montagebeispiel für eine Aufzug-Türüberwachungsanwendung

4.5 Montage des UPS (Universal Power Supply)

Das UPS kann horizontal oder vertikal mit vier Schrauben in der Nähe des Türantriebs montiert werden. Die Montage ist rückwärtskompatibel mit dem cegard/Max-Controller.

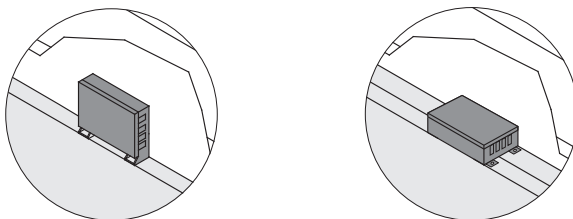
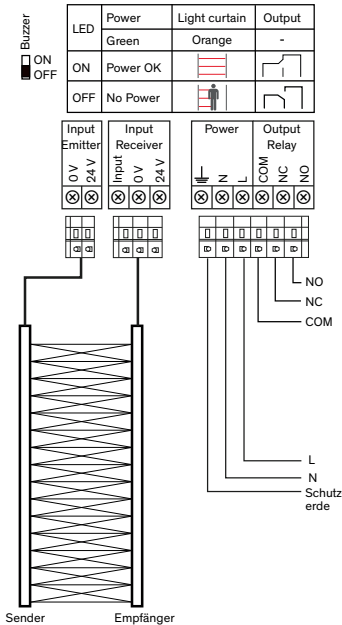


Abb 8: Montagemöglichkeiten UPS

5. Elektrischer Anschluss



LED-Anzeigen des UPS:

- Betriebskontroll-LED (grün) ist EIN, wenn die Stromversorgung korrekt angeschlossen ist.
- Ausgangs-LED (orange) ist EIN, wenn der geschützte Bereich frei von Hindernissen ist.

Akustischer Alarm:

- Akustischer Alarm ist AUS, wenn der geschützte Bereich (Lichtvorhang) frei von Hindernissen ist.
- Der akustische Alarm kann mit einem Schalter ein- bzw. ausgeschaltet werden.

Relaiskonfiguration:

In der abgebildeten Konfiguration ist das Relais aktiviert (angezogen), wenn Spannung anliegt und kein Hindernis vorhanden ist. Kontakt zwischen COM und NO (sicherste Schaltung).

WICHTIG

Die Anschlusswerte des Ausgangsrelais sind:

- max. 250 VAC / 5 A
- max. 125 VDC / 0.5 A
- max. 30 VDC / 5 A
- min. 5 VDC / 10 mA

Stromversorgung:

- 20 ... 265 VAC oder
- 20 ... 375 VDC

WICHTIG

- Der UPS-Schnittstellenanschluss zum Türantrieb ist rückwärtskompatibel zum Türantrieb-Schnittstellenanschluss von cegard/Max.

Abb 9: Verkabelung des UPS mit einem Lichtvorhang

Anschliessen des Lichtvorhangs an das UPS

- Der Empfängerstecker (3-poliger WAGO-Stecker) muss an die 3-poligen WAGO-Buchse angeschlossen werden.
- Der Senderstecker (2-poliger WAGO-Stecker) muss an die 2-poligen WAGO-Buchse angeschlossen werden.

Der elektrische Anschluss (Abbildung 9) zeigt, wie der Türantrieb an den Relaisausgang anzuschliessen ist. Das Gesamtsystem arbeitet nur dann nach dem Ruhestromprinzip, wenn das Relais so angeschlossen wird, wie in Abbildung 9 gezeigt.



VORSICHT

Mögliche Gesundheitsgefahren

- Diese Vorrichtung kann (ebenso wie andere Türüberwachungssysteme auf dem Markt) naturgemäss keine absolute Sicherheit für die Personen bieten, die zur Benutzung des Aufzugs durch die Türöffnung treten. Sie darf nicht als letzte, ausfallsichere Stufe des Türschutzmechanismus eingesetzt werden. Dies muss durch einen ausfallsicheren Begrenzer für Kraft und kinetische Energie bereitgestellt werden.

5.1 Einschalten und Prüfung auf einwandfreie Funktion

Sicherstellen, dass alle bauseitigen Verkabelungen und Anschlüsse korrekt ausgeführt sind, dann die Stromversorgung einschalten. Danach ist das Relais aktiviert (Kontakt angezogen), sodass die Türen schliessen können. Wenn sich jedoch ein Hindernis im Überwachungsbereich befindet, bleibt das Relais so lange abgefallen, bis der gesamte Bereich frei ist und keine Strahlen mehr unterbrochen sind. Die grüne LED am Netzgerät zeigt an, dass die Versorgungsspannung anliegt. Eine orangefarbene LED zeigt den Status des Lichtvorhangs und des Ausgangsrelais an. Sender- und Empfängerleiste (Rx und Tx) des cegard/Mini-MOD wurden korrekt montiert. Jede Leiste ist mit einer optischen Anzeige (LED) ausgestattet, die den Status des Lichtvorhangs anzeigt.

Leiste	LED-Farbe	LED EIN	LED AUS	LED blinkt
Rx	Orange	Strom OK Objekt erkannt	Kein Strom oder kein Objekt	1 Element defekt*
Tx	Grün	Strom OK	Kein Strom	

* cegard/Mini-MOD verfügt über eine Ausblendfunktion. Dadurch kann der Lichtvorhang auch nach dem Ausfall eines Elements weiter in Betrieb bleiben.

Bitte beachten:

Diese Funktion ist in den USA und Kanada nicht verfügbar.

Montage-Tipp:

Wenn der Summer am UPS über den Schalter eingeschaltet wurde, wird ein unterbrochener Strahl akustisch durch einen Summton angezeigt. Diese Funktion ist sehr hilfreich nach der Montage, um die einwandfreie Funktion des UPS und des angeschlossenen Lichtvorhangs zu überprüfen.

6. Fehlerbehebung

Fehler / Problem	Massnahme
Tür bleibt geöffnet; grüne und orange-farbene LEDs an den Leisten sind AUS	<p>Ist die Stromversorgung des UPS (universelles Netzgerät) in Ordnung?</p> <ul style="list-style-type: none"> ▶ Netzspannung am Anschluss messen. Die Netzspannung muss 20 bis 265 VAC oder 20 ... 375 VDC betragen. ▶ Betriebskontroll-LED (grün) am UPS prüfen. <p>Ist ein Kabelbruch vorhanden?</p> <ul style="list-style-type: none"> ▶ Netzkabel messen und prüfen. ▶ Sender- und Empfänger-kabel messen und prüfen, Kabel dazu von Hand bewegen.
Tür bleibt geöffnet; Strahlen sind nicht unterbrochen	<p>Ist der Lichtvorhang korrekt an das UPS angeschlossen?</p> <ul style="list-style-type: none"> ▶ Sicherstellen, dass Sender- und Empfänger-kabel an das UPS angeschlossen sind. <p>Ist der Erdungsanschluss (PE) defekt?</p> <ul style="list-style-type: none"> ▶ Sicherstellen, dass die Erdung (PE) an das UPS angeschlossen ist. <p>Sind die Sensoren so ausgerichtet, dass sie „einander anschauen“?</p> <ul style="list-style-type: none"> ▶ Die aktiven Teile der Sender- und der Empfängereinheit müssen exakt aufeinander ausgerichtet montiert sein. Der aktive Sensorteil liegt an der Seite mit den schwarzen, runden Linsen. <p>Sind Sensoren oder das Vision Shield verschmutzt?</p> <ul style="list-style-type: none"> ▶ Der aktive Sensorteil liegt an der Seite mit den runden, schwarzen Linsen. Sicherstellen, dass die schwarzen Linsen sauber und nicht mit Farbe überstrichen oder zerkratzt sind. ▶ Sicherstellen, dass das Vision Shield nicht mit Farbe überstrichen oder zerkratzt ist. <p>Ist ein Strahl unterbrochen?</p> <ul style="list-style-type: none"> ▶ Sicherstellen, dass kein Objekt den Lichtpfad zwischen Sender und Empfänger blockiert, während die Tür geöffnet ist oder während sie sich schliesst. <p>Sind die Leisten nicht korrekt ausgerichtet?</p> <ul style="list-style-type: none"> ▶ Die optische Achse des Senders (Tx) und Empfängers (Rx) muss aufeinander ausgerichtet sein, um einen zuverlässigen Betrieb des Lichtvorhangs sicherzustellen. <p>Gibt es starke EMV-Störungen, z. B. durch den Türantrieb?</p> <ul style="list-style-type: none"> ▶ Anschlusskabel des cegard/Mini-MOD nicht in der Nähe von Kabeln verlegen, die hohe Spannungen und/oder hohe Ströme führen. Zur Vermeidung von EMV-Problemen sollten die cegard/Mini-MOD Kabel auch möglichst weit vom Motor des Türantriebs oder dem Motorumrichter (VVVF-Antriebe) entfernt sein. <p>Gibt es starke Störungen durch Fremdlicht, z. B. Leuchtstofflampen?</p> <ul style="list-style-type: none"> ▶ cegard/Mini-MOD Empfängerleisten nicht so montieren, dass sie Lichtquellen wie Leuchtstoffröhren oder Energiesparlampen direkt ausgesetzt sind.
Tür schliesst nur, wenn ein Objekt die Strahlen unterbricht.	<p>Ist die Logik des Relaisausgangs korrekt eingestellt?</p> <ul style="list-style-type: none"> ▶ Prüfen, ob für die Steuerung von Aufzug / Tür eine Schliesser- oder eine Öffner-Logik benötigt wird.
Tür öffnet ohne erkennbaren Grund	<p>Ist das Empfänger- oder das Senderkabel beschädigt?</p> <ul style="list-style-type: none"> ▶ Kabel durch Abtasten mit der Hand auf Bruchstellen prüfen. <p>Liegt eine Störung durch den Sender anderer Infrarot-Sensoren vor (entweder direkt oder durch Spiegelung an glänzenden Oberflächen)?</p> <ul style="list-style-type: none"> ▶ Störungen durch Blinklichter oder Infrarot-Lichtquellen wie Fotozellen oder andere Lichtvorhänge vermeiden. ▶ Reflektierende Oberflächen in der Nähe oder parallel zum überwachten Bereich können Reflexionen verursachen.

Wenn ein Problem weiterhin besteht, wenden Sie sich an den für Sie zuständigen CEDES-Vertreter. Die Kontaktdaten finden Sie unter www.cedes.com.

7. Wartung

Das cegard/Mini-MOD System erfordert zwar keine regelmässige Wartung, dennoch ist eine Funktionsprüfung mindestens bei jeder Wartung und Prüfung des Aufzugs nachdrücklich empfohlen. Der regelmässige Funktionstest sollte folgende Punkte umfassen: Die optischen Sensorelemente sind frei von Schmutz und Staub. Bei Bedarf die Vorderseite mit einem weichen Tuch reinigen.

- ▶ Die Wiederöffnungsfunktion über den gesamten Türbereich testen. Die Tür muss sich wieder öffnen, wenn ein Objekt an eine beliebige Stelle im Bereich zwischen der Schwelle und bis zu einer Höhe von 1'800 mm (Standardkonfiguration) über der Schwelle eingebracht wird.
- ▶ Die Vorderseite von Empfänger und Sender mit einem weichen Tuch von Staub oder Schmutz reinigen. Dies ist besonders wichtig, wenn die Türleisten montiert werden, bevor die Bauarbeiten an dem Gebäude beendet sind (während der Bauarbeiten evtl. wöchentlich). Das Tuch zum Reinigen der Oberflächen muss trocken oder leicht feucht, aber nicht nass sein.
- ▶ Sicherstellen, dass die Leisten sicher an den Türflügeln und dem Türpfosten auf der Schliesseite befestigt sind.
- ▶ Sicherstellen, dass die Kabelführung korrekt ist und den Montageanweisungen des zugehörigen Montagekits entspricht.

8. Entsorgung

Das cegard/Mini-MOD System darf nur im Austausch gegen eine ähnliche Türüberwachungsvorrichtung ersetzt werden. Die Entsorgung muss gemäss den neuesten bekannten Recyclingtechnologien unter Einhaltung der am Ort geltenden Gesetze und Vorschriften erfolgen.

Bei Konstruktion und Herstellung des Lichtvorhangs kommen keine schädlichen Materialien zum Einsatz. Die Elektronikbauteile können Spuren von Gefahrstoffen enthalten, jedoch nicht in gesundheitsschädlichen Mengen.

HINWEIS

Schäden an optischen Elementen

- ▶ Vision Shield, Empfängerleiste (Rx) oder Senderleiste (Tx) nie mit aggressiven Reinigungsmitteln wie Aceton oder Trichlorid oder mit scheuernden Tüchern reinigen. Dies könnte Schäden verursachen.
- ▶ Zur Reinigung werden handelsübliche Fensterreiniger oder Seife und Wasser empfohlen.

1. Informations de sécurité

IMPORTANT ! LIVRE AVANT INSTALLATION !

Le cegard/Mini-MOD a été développé et fabriqué à l'aide de systèmes et technologies de pointe. Il se peut néanmoins que des blessures ou des dommages surviennent au niveau du capteur.

Pour garantir des conditions de sécurité :

- ▶ Lire toutes les instructions et informations jointes.
- ▶ Respecter consciencieusement les instructions contenues dans le présent mode d'emploi.
- ▶ Respecter tous les avertissements contenus dans la présente documentation ayant trait au capteur.
- ▶ Ne pas utiliser le capteur s'il présente un quelconque endommagement.
- ▶ Conserver le manuel d'instructions sur site.

Si ces consignes ne sont pas respectées, des plaintes de clients ou des retraits importants de produits peuvent survenir. Il relève de la responsabilité du commanditaire, de l'acheteur et de l'installateur de s'assurer lors de la finalisation que l'installation respecte toutes les normes et tous les règlements fédéraux, nationaux et locaux en vigueur pour votre application.

Pour les applications d'ascenseur et d'escalator, il convient de prêter une attention particulière à la clause 2.13.5 Installations de réouverture pour les portes ou portails électriques selon les normes de sécurité pour ascenseurs et escalators ASME A17.1-2010 / CSA B44- 10.

Ce système de barrière immatérielle doit être installé uniquement par un personnel autorisé disposant d'une formation complète. Respecter toutes les consignes de sécurité nécessaires lors du processus d'installation, y compris la mise hors service de la porte d'ascenseur pendant l'installation. Il convient de remarquer impérativement que les objets de largeur inférieure à l'espacement entre les faisceaux peuvent ne pas être détectés.

1.1 Usage non conforme

La barrière cegard/Mini-MOD **ne doit pas** servir à :

- la protection de machines dangereuses
- l'équipement en atmosphère explosive
- l'équipement en environnement radioactif



Pour de telles applications, utiliser exclusivement des dispositifs de sécurité spécifiques et approuvés, dans le cas contraire, il existe un danger de blessures graves, de mort ou de dommages matériels !

2. Symboles, messages de sécurité

Symbole	Signification
▶	Instructions simples ou mesures sans ordre précis
1. 2. 3.	Instructions séquencées
•	Liste, non ordonnée par degré d'importance
→	Référence à un chapitre, une illustration ou un tableau au sein du présent document
Important	Informations importantes pour l'utilisation correcte du capteur

2.1 Catégorie de message de sécurité

Avertissement de risques importants pour la santé

AVERTISSEMENT
Risques importants pour la santé

Met en exergue des informations indispensables pour l'utilisation du capteur en toute sécurité. La non-observation de ces avertissements peut provoquer des blessures graves ou présenter un danger de mort.

- ▶ Suivre les mesures mises en valeur par les flèches triangulaires
- ▶ Consulter les informations de sécurité au chapitre 2 du présent mode d'emploi

Attention aux possibles risques pour la santé

ATTENTION
Risques possibles pour la santé

Met en exergue des informations indispensables pour l'utilisation du capteur en toute sécurité. La non-observation de ces avertissements peut provoquer des blessures.

- ▶ Suivre les mesures mises en valeur par les flèches triangulaires
- ▶ Consulter les informations de sécurité au chapitre 2 du présent mode d'emploi

Remarque concernant le risque de dommages matériels

REMARQUE
Risque de dommages matériels

La non-observation de ces remarques peut entraîner des dommages matériels du capteur, de la commande de porte et/ou d'autres dispositifs.

- ▶ Suivre les mesures mises en valeur par les flèches triangulaires

3. Introduction

Le cegard/Mini-MOD (pour modernisation) dispose du rideau lumineux éprouvé et ultra fiable cegard/Mini light curtain avec alimentation électrique universelle (UPS). Ce pack est idéal pour la modernisation des ascenseurs à coût modeste. La portée et la tension universelle de 20 ... 265 VAC ou 20 ... 375 VDC, en combinaison avec la sortie de relais sans potentiel, permettent une intégration facile et rapide dans les installations existantes. Il existe des kits de modernisation complets, une large gamme d'accessoires et configuration spéciales. Les kits de modernisation sont optimisés pour s'adapter à un entraînement de porte ou à un type de cabine spécifique.



Figure 1: Application dynamique



Figure 2: Application statique

3.1 Caractéristiques du cegard/Mini-MOD

- Peut être installé partout grâce à la portée et la tension universelle de 20 à 265 VAC ou 20 à 375 VDC
- Sortie de relais pour une intégration facile dans les systèmes existants
- Idéal pour la rénovation à l'aide de différents kits de montage de porte optimisés
- Longueurs de profilé et résolutions spécifiques au client disponibles
- Version à barres étanches IP67 disponible
- La barre peut être montée latéralement ou de face ; les trous de montage sont compatibles avec cegard/Mini, MiniMax et cegard/Max

3.2 Composants système

Le cegard/Mini-MOD est livré avec un pack de livraison spécifique au client. Le pack de livraison typique comporte :



Figure 3: Emballage typ. pour cegard/Mini-MOD

- 1 x barre émetteur (Tx)
- 1 x barre récepteur (Rx)
- 1 x câble de raccordement 5 m, barre émetteur
- 1 x câble de raccordement 5 m, barre récepteur
- 1 x alimentation UPS
- 1 x mode d'emploi

Une gamme d'accessoires de montage est également disponible sur demande.

3.3 Compatibilité descendante avec cegard/Max

- L'alimentation UPS dispose d'une compatibilité descendante totale au niveau électrique (même raccord d'interface).
- L'alimentation UPS et les barres disposent d'une compatibilité descendante totale au niveau mécanique. (Il peut y avoir de légères différences au niveau de la longueur mécanique des barres).

3.4 Barres de rideau lumineux

Les barres émetteur et récepteur créent un quadrillage de rayons infra-rouge protégeant l'entrée de la porte jusqu'à une hauteur de 1'800 mm. Le nombre de rayons protégeant la zone d'entrée dépend du modèle utilisé. Le numéro après le nom de produit du cegard/Mini-MOD indique la longueur du rideau lumineux et le second numéro représente le nombre d'opto-éléments actifs. Grâce à l'utilisation de faisceaux croisés, le nombre de rayons actifs utilisés pour la protection de la porte est plus élevé que le nombre d'éléments (par exemple, 16 éléments correspondent à 74 rayons). Cette technique permet d'atteindre une densité très élevée du champ de protection. Les faisceaux croisés sont maintenus par le système tant que la géométrie des optiques le permet.

Nombre d'éléments	Nombre de rayons de lumière	Distance approximative de coupure pour les faisceaux croisés
16	74	< 800 mm
24	114	< 600 mm
32	154	< 600 mm
36*	174	0 mm

* EN 81-20 compliant

3.5 Alimentation UPS (Universal Power Supply / Alimentation en tension universelle)

L'alimentation UPS accepte un large éventail de tensions d'entrée de 20 à 265 VAC ou 20 à 375 VDC converties à 24 VDC pour alimenter les barres de rideau lumineux. Les côtés haute et faible puissance sont munis d'une isolation électrique. La sortie de semi-conducteur du rideau lumineux est également convertie en contact de relais sans potentiel. Une DEL signale toute modification de l'état de la sortie de relais de l'UPS. Un ronfleur peut être enclenché pour indiquer une interruption du rideau lumineux.

L'appareil est livré dans un boîtier classé IP54 avec filtre EMC et protection contre les courts-circuits. Si la tension utilisée pour actionner l'alimentation UPS est une tension à courant continu (DC), la polarité des bornes L et N n'a pas d'importance. Tous les éléments matériels, raccords et instructions sont compris. Le câblage correct est assuré par des bornes séparées pour émetteur et récepteur.

Important : Le raccord d'interface alimentation UPS de l'entraînement de porte dispose d'une compatibilité descendante avec le raccord d'interface cegard/Max de l'entraînement de porte.

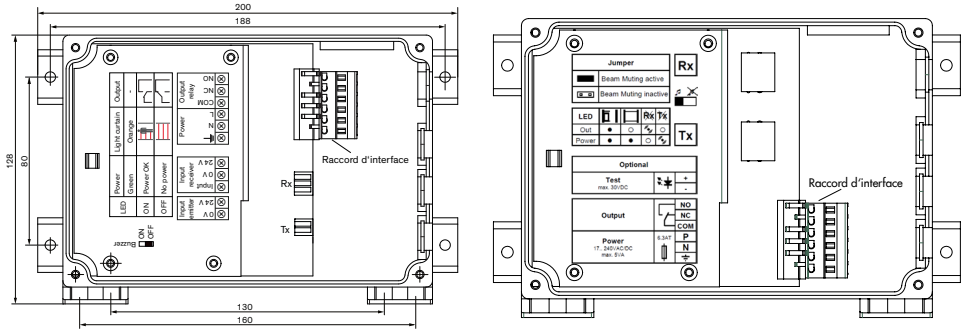
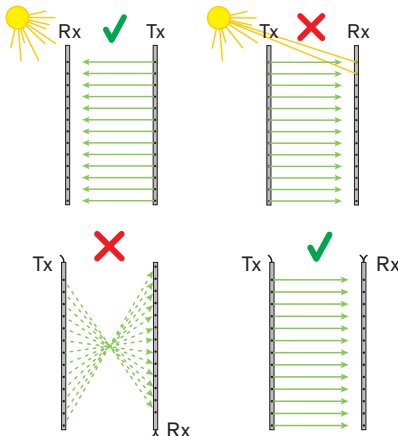


Figure 4: L'alimentation UPS possède le même raccord d'interface de l'entraînement de porte que la commande cegard/Max et dispose donc d'une compatibilité descendante.

3.6 Instructions et précautions générales

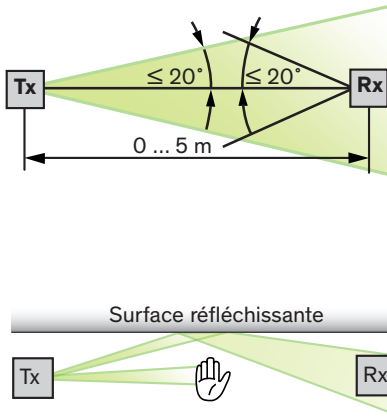


- ▶ Ne jamais rayer ou peindre les optiques, elles forment le chemin de la lumière. Ne pas percer de trous supplémentaires dans le profilé. Déballez les profilés juste avant installation de manière à éviter les dommages.
- ▶ Ne pas plier ou torsionner les barres !
- ▶ L'huile peut endommager les câbles. Toute contamination doit impérativement être évitée!



- ▶ Bien que le cegard/Mini-MOD ne soit pas sensible à l'incidence directe du soleil, éviter toute exposition non nécessaire si possible, tout particulièrement au niveau du récepteur.
- ▶ Éviter les interférences de lumières clignotantes ou de sources de lumière infrarouge comme des cellules photoélectriques ou d'autres rideaux lumineux.
- ▶ Ne pas installer le cegard/Mini-MOD dans des endroits où les barres émetteur et récepteur sont directement exposées à des sources lumineuses du type tube fluorescent ou lampes à économie d'énergie.
- ▶ S'assurer de placer les prises de raccordement pour l'émetteur et le récepteur du même côté.

3.7 Alignement



Les axes optiques des barres émetteur (Tx) et récepteur (Rx) doivent être alignés l'un vers l'autre pour assurer le fonctionnement correct du rideau lumineux

⚠ ATTENTION
Risques possibles pour la santé

- ▶ Il est important que l'angle d'alignement de l'émetteur (Tx) au récepteur (Rx) soit de moins de $\pm 10^\circ$ lorsque la porte est entièrement fermée. Nous recommandons de maintenir cet angle le plus près possible de zéro (voir figure à gauche).

Les surfaces réfléchissantes près de ou parallèles à la zone de surveillance peuvent provoquer des réflexions. Bien que le cegard/Mini-MOD soit fortement protégé contre de telles réflexions, il convient toujours de maintenir une distance raisonnable entre les barres de capteurs et les surfaces réfléchissantes.

4. Installation

Il convient de procéder à l'installation comme suit :

4.1 Suivre les instructions de sécurité

- ▶ Couper l'alimentation en courant principal du système de commande de l'ascenseur et signaler clairement que l'ascenseur est hors service.
- ▶ Respecter toutes les mesures de sécurité applicables.
- ▶ S'assurer que l'installation est conforme à toutes les réglementations et mesures de sécurité applicables.

4.2 Montage des barres d'émetteur et de récepteur

Les barres d'émetteur (Tx) et de récepteur (Rx) peuvent être montées soit sur les battants de porte, soit sur le battant de porte et sur le châssis, soit sur un cadre rattaché à la cabine. Veuillez noter que le récepteur (Rx) (celui avec le raccord bleu) peut être sensible aux lumières « étrangères ». Il est donc recommandé de monter la barre récepteur (Rx) de telle manière à ce que les rayons du soleil n'atteignent pas directement l'optique du récepteur.

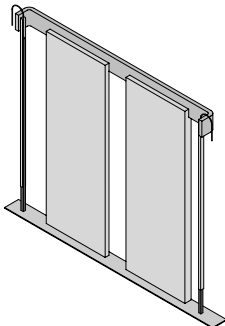


Figure 5: Montage statique

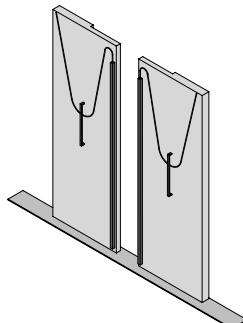
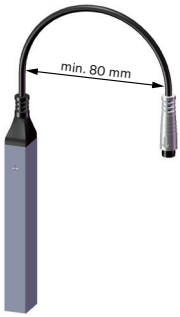


Figure 6: Montage dynamique

4.3 Guidage des câbles de barre émetteur et récepteur

Guider les câbles correctement à l'aide de matériaux de montage adaptés, par exemple des tubes de protection de câble, des attaches de câble en néoprène, des tire-fils (selon le type de kit de montage utilisé). Le cegard/Mini-MOD respecte toutes les normes relatives aux interférences électromagnétiques (IEM). Il est cependant prudent de prévenir les interférences. Par conséquent, il convient de ne pas guider les câbles de raccordement cegard/Mini-MOD près de câbles à haute tension et/ou haute intensité. Les câbles du cegard/Mini-MOD doivent également être montés aussi loin que possible du moteur d'entraînement de porte ou de l'onduleur moteur (entraînements VVVF) pour éviter les problèmes IEM.



REMARQUE

- ▶ S'assurer que le rayon de courbure du câble est supérieur à 80 mm lors du montage des câbles.
- ▶ Si les câbles ne sont pas correctement fixés et guidés, cela peut entraîner une réduction significative de leur durée de vie. Ils peuvent également être endommagés par d'éventuels balancements et accrocs dans le conduit ! Toujours respecter les instructions de guidage de câble qui se trouvent dans le mode d'emploi du kit de montage adapté.
- ▶ Il est très important d'installer les câbles correctement pour assurer une fiabilité et une durée de vie du rideau lumineux les plus élevées possibles. Un câble correctement installé peut résister à plus de 20 millions de mouvements de porte, alors qu'un câble mal installé pourrait casser après moins de 100'000 mouvements de porte.

4.4 Montage dynamique

L'illustration suivante donne une vue d'ensemble de l'installation du cegard/Mini-MOD dans une application d'ascenseur. Des détails additionnels sont fournis dans les modes d'emploi du kit de montage.

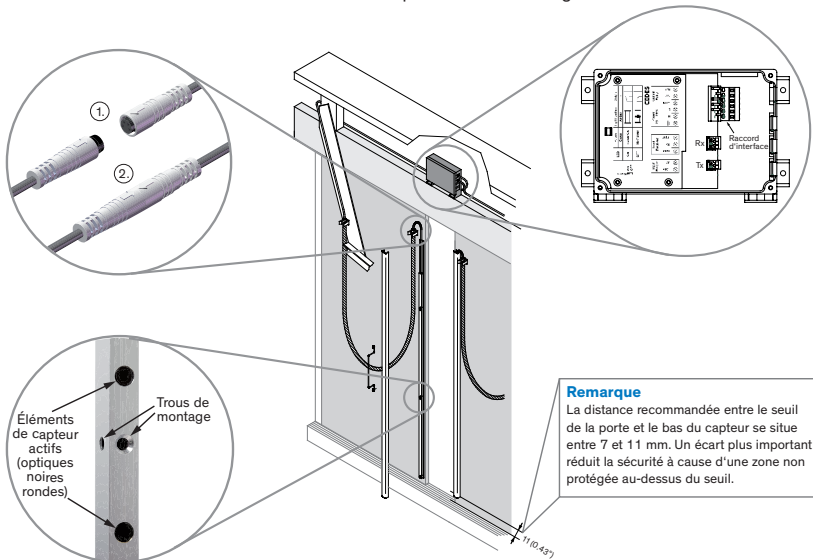


Figure 7: Exemple de montage pour une application de protection de porte d'ascenseur

4.5 Installation de l'alimentation UPS (Universal Power Supply)

L'alimentation UPS peut être montée horizontalement ou verticalement avec quatre vis près de l'entraînement de porte. La fixation est à compatibilité descendante avec la commande du cegard/Max.

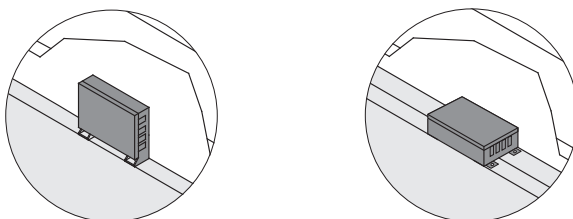


Figure 8: Possibilités de montage de l'UPS

5. Raccordement électrique

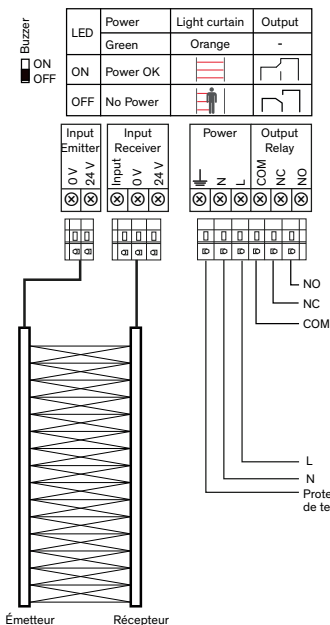


Figure 9: Câblage de l'alimentation UPS avec un rideau lumineux

Raccordement du rideau lumineux à l'UPS

- ▶ Le raccord du récepteur (connecteur WAGO 3 pôles) doit être branché dans l'entrée du récepteur (prise WAGO 3 pôles).
 - ▶ Le raccord de l'émetteur doit être branché dans l'entrée de l'émetteur (prise WAGO 2 pôles).
- Respecter le schéma de câblage (Figure 9) pour raccorder l'entraînement de porte à la sortie de relais. L'unité entière ne fonctionnera selon le principe du circuit fermé que si le relais est connecté comme décrit par la Figure 9.

Définition DEL UPS :

- La DEL (verte) de l'alimentation est ALLUMÉE si la tension d'alimentation est raccordée correctement.
- La DEL (orange) de sortie est ALLUMÉE si la zone de surveillance est sans obstacle.

Définition de ronfleur :

- Le ronfleur est ÉTEINT si la zone de surveillance (rideau lumineux) est sans obstacle.
- Le ronfleur peut être mis en marche/arrêté à l'aide d'un interrupteur.

Définition de relais :

Dans la configuration représentée, le relais est sous tension si une tension est appliquée et qu'il n'y a pas d'obstacle. Contact entre COM et NO (raccord le plus sûr).

IMPORTANT
Le contact nominal du relais de sortie est :

- ▶ max. 250 VAC / 5 A
- max. 125 VDC / 0,5 A
- max. 30 VDC / 5 A
- min. 5 VDC / 10 mA

Alimentation en tension :

- 20 ... 265 VAC ou
- 20 ... 375 VDC

IMPORTANT

- ▶ Le raccord d'interface alimentation UPS de l'entraînement de porte dispose d'une compatibilité descendante avec le raccord d'interface cegard/Max de l'entraînement de porte.

⚠ ATTENTION Risques possibles pour la santé

- ▶ Ce dispositif (comme les autres systèmes de protection de porte sur le marché) ne peut pas – par sa nature – offrir une protection absolue pour les passagers de l'ascenseur passant la porte. Il ne doit pas être utilisé comme le dispositif final de sécurité positive du mécanisme de porte. La fonction de sécurité ultime doit être fournie par une force de sécurité positive et un limiteur d'énergie cinétique.

5.1 Démarrage et contrôle de fonction correcte

S'assurer que tout le câblage et les raccordements du site de travail sont corrects puis enclencher la tension. Ensuite, le relais est mis sous tension et les portes peuvent se fermer. Cependant, s'il y a n'importe quel autre obstacle dans la zone de surveillance, le relais restera hors tension tant que toute la zone est dégagée et tous les rayons sont sans interruptions. La DEL verte de l'alimentation UPS indique que la tension d'alimentation est disponible. La DEL orange indique l'état du rideau lumineux et du relais de sortie.

Les barres récepteur et émetteur cegard/Mini-MOD (Rx et Tx) ont été installées correctement. Chaque barre comporte un indicateur visuel (DEL) indiquant l'état du rideau lumineux.

Barre	Couleur de LED	LED allumée	LED éteinte	LED clignotante
Rx	Orange	Tension OK Détection objet	Pas de tension ou pas d'objet	1 élément défectueux*
Tx	Vert	Tension OK	Pas de tension	

* Le cegard/Mini-MOD dispose d'une fonction silencieux. Ceci permet au rideau lumineux de continuer à fonctionner lorsqu'un élément est défectueux.

Note :

Cette fonction n'est pas disponible aux USA et au Canada.

Astuce d'installation :

Lorsque le ronfleur de l'alimentation UPS est mis en marche à l'aide de l'interrupteur, un rayon interrompu est indiqué par un signal du ronfleur. Cette fonction est très utile après installation pour vérifier le fonctionnement correct de l'alimentation UPS ainsi que du rideau lumineux raccordé.

6. Recherche et élimination des erreurs

Erreurs / Problème	Mesure
La porte reste ouverte ; les LED vertes et jaunes des barres sont ETEINTES	<p>Est-ce que l'alimentation UPS (Universal Power Supply) est OK ?</p> <ul style="list-style-type: none"> ▶ Mesurer la tension de l'alimentation principale au niveau du connecteur. La tension de l'alimentation doit être de 20 à 265 VAC ou 20 à 375 VDC. ▶ Vérifier la LED de service (verte) de l'alimentation UPS. <p>Un câble est-il cassé ?</p> <ul style="list-style-type: none"> ▶ Mesurer et vérifier les câbles d'alimentation principaux. ▶ Mesurer et vérifier les câbles émetteur et récepteur en déplaçant manuellement les câbles.
La porte reste ouverte ; les rayons ne sont pas interrompus	<p>Est-ce que le rideau lumineux est correctement connecter à l'UPS ?</p> <ul style="list-style-type: none"> ▶ S'assurer que les câbles d'émetteur et de récepteur sont connectés à l'alimentation UPS. <p>Est-ce que le raccord de terre (PE) est défectueux ?</p> <ul style="list-style-type: none"> ▶ S'assurer que la terre (PE) est raccordée à l'alimentation UPS. <p>Est-ce que les capteurs sont « face-à-face » ?</p> <ul style="list-style-type: none"> ▶ Il est important que les parties actives des unités d'émetteur et de récepteur soient montées de telle manière à être l'un en face de l'autre. La partie comportant le capteur actif est le côté avec les optiques noires et rondes. <p>Est-ce que les capteurs ou les pare-vision sont sales ?</p> <ul style="list-style-type: none"> ▶ La partie comportant le capteur actif est le côté avec les optiques rondes et noires. S'assurer que les optiques noires sont propres et non peintes ou rayées. ▶ S'assurer que les pare-vision ne sont pas peints ou rayés. <p>Un rayon est-il interrompu ?</p> <ul style="list-style-type: none"> ▶ S'assurer qu'aucun objet ne bloque le chemin de la lumière entre l'émetteur et le récepteur lorsque la porte est fermée et lors de la fermeture de la porte. <p>Est-ce que les barres sont correctement alignées ?</p> <ul style="list-style-type: none"> ▶ Les axes optiques des barres émetteur (Tx) et récepteur (Rx) doivent être alignés l'un vers l'autre pour assurer le fonctionnement correct du rideau lumineux. <p>Y a-t-il une interférence CEM excessive par ex. de l'entraînement de porte ?</p> <ul style="list-style-type: none"> ▶ Il convient de ne pas guider les câbles de raccordement cegard/Mini-MOD près de câbles à haute tension et/ou haute intensité. Les câbles du cegard/Mini-MOD doivent également être montés aussi loin que possible du moteur d'entraînement de porte ou de l'onduleur moteur (entraînements VVVF) pour éviter les problèmes IEM. <p>Y a-t-il une interférence lumineuse excessive par ex. de lampes fluorescentes ?</p> <ul style="list-style-type: none"> ▶ Ne pas installer les barres émetteur et récepteur du cegard/Mini-MOD à des endroits où elles sont directement exposées à des sources lumineuses du type tube fluorescent ou lampes à économie d'énergie.
La porte ne se ferme que lorsqu'un objet interrompt les rayons.	<p>Est-ce que la logique de la sortie de relais est correctement paramétrée ?</p> <ul style="list-style-type: none"> ▶ Vérifier si la commande d'ascenseur / de porte nécessite une logique normalement-ouvert ou normalement-fermé.
Ouvertures de porte aléatoires	<p>Est-ce que les câbles d'émetteur ou de récepteur sont endommagés ?</p> <ul style="list-style-type: none"> ▶ Vérifier les câbles à la recherche de ruptures en les parcourant de la main. <p>Existe-t-il des interférences entre l'émetteur et d'autres capteurs de lumière infrarouge (directement ou indirectement par des surfaces réfléchissantes) ?</p> <ul style="list-style-type: none"> ▶ Éviter les interférences de lumières clignotantes ou de sources de lumière infrarouge comme des cellules photoélectriques ou d'autres rideaux lumineux. ▶ Les surfaces réfléchissantes près de ou parallèles à la zone de surveillance peuvent provoquer des réflexions.

Si un problème persiste, contacter le représentant CEDES local. Pour trouver ses coordonnées, se rendre sur www.cedes.com

7. Maintenance

Bien que le système cegard/Mini-MOD ne nécessite pas de maintenance périodique, un contrôle de fonction est fortement recommandé au moins à chaque contrôle de maintenance de l'ascenseur. Lors du test de fonctionnement périodique, il convient de vérifier : que les éléments de capteur optique ne présentent pas de salissures ou de poussière. Nettoyer si nécessaire la surface avant à l'aide d'un chiffon doux.

- ▶ Vérifier le fonctionnement de réouverture pour toute la zone de la porte. La réouverture de la porte doit survenir si un objet est placé à n'importe quel endroit entre le seuil et jusqu'à 1'800 mm (configuration standard) au-dessus du seuil.
- ▶ Nettoyer la poussière et les salissures sur la surface avant du récepteur et de l'émetteur avec un chiffon doux. Ceci est particulièrement important lorsque les barres sont installées avant que la construction du bâtiment soit terminée. Pour nettoyer la surface à l'aide d'un chiffon, il doit être soit sec ou légèrement humide, mais pas mouillé.
- ▶ S'assurer que les barres sont solidement fixées sur les battants de porte et le montant.
- ▶ S'assurer que les câbles sont correctement disposés comme décrit dans les instructions d'installation du kit de montage adapté.

REMARQUE

Domages aux éléments optiques

- ▶ Ne pas utiliser de solvants de nettoyage agressifs comme l'acétone ou le trichlorure ou des chiffons à abrasion mécanique pour nettoyer les pare-vision, les barres récepteur (Rx) ou transmetteur (Tx), ceux-ci pouvant provoquer des dommages.
- ▶ Nous recommandons d'utiliser des nettoyeurs à vitres standards ou de l'eau et du savon pour le nettoyage.

8. Élimination

Le système cegard/Mini-MOD doit seulement être remplacé si un dispositif de protection de porte similaire est installé. Il convient de procéder à l'élimination au moyen d'un recyclage à la pointe de la technologie selon les règles et réglementations locales.

Aucun matériau dangereux n'est utilisé pour la conception et la fabrication du rideau lumineux. Il se peut que des traces de tels matériaux dangereux soient utilisées dans les composants électroniques mais pas dans des quantités suffisantes pour nuire à la santé.

1. Informazioni sulla sicurezza

IMPORTANTE! LEGGERE PRIMA DELL'INSTALLAZIONE!

cegard/Mini-MOD è stato sviluppato e prodotto mediante sistemi e tecnologie all'avanguardia. Tuttavia, possono sempre verificarsi incidenti e danni al sensore.

Per garantire condizioni di sicurezza:

- ▶ Leggere tutte le istruzioni e le informazioni allegate;
- ▶ leggere tutte le istruzioni e le informazioni allegate;
- ▶ seguire attentamente le istruzioni fornite nel presente manuale;
- ▶ prestare attenzione a tutti gli avvertimenti compresi nella documentazione e affisse sul sensore;
- ▶ non utilizzare il sensore se risulta danneggiato in qualsiasi modo;
- ▶ conservare in loco il manuale con le istruzioni.

La mancata osservanza delle predette precauzioni può comportare reclami dei clienti o gravi richiami. È compito del progettista, dell'acquirente e dell'installatore verificare che l'installazione, una volta completata, sia conforme a tutti i codici e le normative federali, statali e locali valide per l'applicazione in uso.

Per le applicazioni per ascensori e scale mobili, occorre prestare particolare attenzione al paragrafo 2.13.5 sulla riapertura dei dispositivi per portiere di auto o cancelli a comando elettrico descritta nel codice di sicurezza per ascensori e scale mobili ASME A17.1-2010 / CSA B44-10.

Il sistema di barriere fotoelettriche deve essere installato esclusivamente da personale autorizzato e pienamente addestrato. Durante il processo di installazione, seguire tutte le necessarie precauzioni di sicurezza, compresa la messa fuori servizio dell'ascensore o della porta. È importante puntualizzare che non è possibile rilevare oggetti più sottili della distanza del raggio.

1.1 Uso non previsto

cegard/Mini-MOD **non deve** essere utilizzato per:

- la protezione di macchinari pericolosi
- attrezzature in atmosfere esplosive
- attrezzature in ambienti radioattivi.



Utilizzare esclusivamente specifici dispositivi di sicurezza approvati per tali applicazioni. In caso contrario, si potrebbero causare lesioni, morte o danni materiali.

2. Simboli, messaggi di sicurezza

Simbolo	Significato
▶	Istruzione singola o misure in alcun ordine particolare
1. 2. 3.	Istruzioni in sequenza
•	Elenco, non in ordine di importanza
→	Rimando a capitolo, illustrazione o tabella nel documento
Importante	Informazioni importanti per l'uso corretto del sensore

2.1 Categorie di messaggi di sicurezza

Avvertimento di gravi rischi per la salute

AVVERTENZA
Gravi rischi per la salute

Evidenzia informazioni critiche per l'utilizzo in sicurezza del sensore. La mancata osservanza di tali avvertenze può provocare lesioni gravi o morte.

- ▶ Seguire le misure contrassegnate dalle frecce a triangolo
- ▶ Consultare le informazioni sulla sicurezza nel Capitolo 2 del presente manuale

Precauzioni per possibili rischi per la salute

ATTENZIONE
Possibili rischi per la salute

Evidenzia informazioni critiche per l'utilizzo in sicurezza del sensore. La mancata osservanza di tali avvertimenti può provocare lesioni.

- ▶ Seguire le misure contrassegnate dalle frecce a triangolo
- ▶ Consultare le informazioni sulla sicurezza nel Capitolo 2 del presente manuale

Avviso di rischio di danni

AVVISO
Rischio di danni

La mancata osservanza di tali avvisi può comportare danni al sensore, al controllore della porta e/o ad altri dispositivi.

- ▶ Seguire le misure contrassegnate dalle frecce a triangolo

3. Introduzione

cegard/Mini-MOD (per ammodernamento) presenta la comprovata e ultra affidabile barriera ottica cegard/Mini dotata di alimentatore universale (UPS). Questo pacchetto è l'ideale per l'ammodernamento degli ascensori per conseguire l'efficienza dei costi. La sua portata e la tensione universale di 20 ... 265 VAC o 20 ... 375 VDC, insieme all'uscita di relè a potenziale zero, stanno a indicare che è consentita una facile e rapida integrazione nelle strutture esistenti. Sono disponibili kit completi di ammodernamento, una vasta gamma di accessori e configurazioni speciali. I kit di ammodernamento sono ottimizzati per adattarsi a un determinato tipo di azionamento porte o tipo di auto.



Figura 1: Applicazione dinamica



Figura 2: Applicazione statica

3.1 Caratteristiche di cegard/Mini-MOD

- Può essere installato in qualsiasi punto grazie alla gamma e alla tensione universale di 20 ... 265 VAC o 20 ... 375 VDC
- Uscita di relè facilmente integrabile nei sistemi esistenti
- Ideale per la riconfigurazione mediante diversi kit di montaggio porte
- Disponibili lunghezze del profilo e risoluzioni su misura per il cliente
- Disponibile una versione delle barriere IP67 impermeabili
- La barriera può essere montata anteriormente o lateralmente; i fori di montaggio sono compatibili con cegard/Mini, MiniMax e cegard/Max

3.2 Componente del sistema

cegard/Mini-MOD è disponibile con un pacchetto di consegna personalizzato. Un pacchetto di consegna standard contiene:



Figura 3: Consegna standard di cegard/Mini-MOD

- 1 x barriera del trasmettitore (Tx)
- 1 x barriera del ricevitore (Rx)
- 1 x cavo di collegamento di 5 m, barriera trasmettitore
- 1 x cavo di collegamento di 5 m, barriera ricevitore
- 1 x UPS (alimentatore universale)
- 1 x manuale d'installazione e d'uso

Una varietà di accessori di montaggio è anche disponibile su richiesta.

3.3 Compatibilità con versioni precedenti per cegard/Max

- L'UPS è pienamente compatibile con le versioni precedenti a livello elettrico (stesso connettore d'interfaccia).
- L'UPS e le barriere sono pienamente compatibili con la versione precedente a livello meccanico. (Possono esserci piccole differenze nella lunghezza fisica delle barriere).

3.4 Barriere ottiche

Le barriere del trasmettitore e del ricevitore creano una griglia di raggi infrarossi che protegge l'ingresso della porta ad un'altezza di 1'800 mm. Il numero di raggi che copre l'ingresso dipende dal modello in uso. Il numero posto dopo il nome del prodotto cegard/Mini-MOD indica la lunghezza della barriera e il secondo numero è la quantità di elementi ottici attivi.

Poiché si utilizzano raggi incrociati, il numero di raggi attivi impiegati per la protezione della porta è superiore al numero di elementi (ad es. 16 elementi corrispondono a 74 raggi). Questa tecnica consente di ottenere una densità molto superiore del campo di protezione. I raggi incrociati sono tenuti sollevati dal sistema finché ciò è reso possibile dalla geometria dell'ottica.

Numero di elementi	Numero di raggi	Distanza indicativa di arresto per i raggi incrociati
16	74	< 800 mm
24	114	< 600 mm
32	154	< 600 mm
36*	174	0 mm

* EN 81-20 compliant

3.5 UPS (alimentatore universale)

L'UPS accetta una gamma di tensione di ingresso compresa a partire da 20 ... 265 VAC o 20 ... 375 VDC, che è convertita a 24 VDC per alimentare le barriere ottiche. I punti di alimentazione alti ed elevati non sono dotati di isolamento elettrico. L'uscita del semiconduttore della barriera ottica viene anche convertito in un contatto con relè a zero potenziale. Un LED segnala eventuali cambiamenti di stato dell'uscita del relè dall'UPS. Per segnalare un'interruzione della barriera ottica, è possibile attivare un cicalino.

Il dispositivo viene fornito all'interno di una custodia di grado IP54 con un filtro EMC integrato e una protezione ai corto circuiti. Se si usa una tensione DC per alimentare l'UPS, non è importante la polarità della morsettiere L e N. La dotazione comprende i necessari componenti metallici, i connettori e le istruzioni. Il corretto cablaggio è consentito mediante morsetti separati per trasmettitore e ricevitore.

Importante: Il connettore dell'interfaccia UPS verso l'azionamento della porta è compatibile con le versioni precedenti del connettore dell'interfaccia cegard/Max verso l'azionamento della porta.

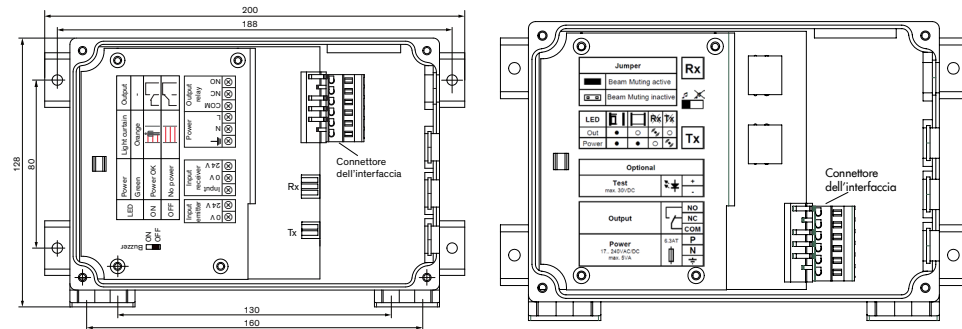
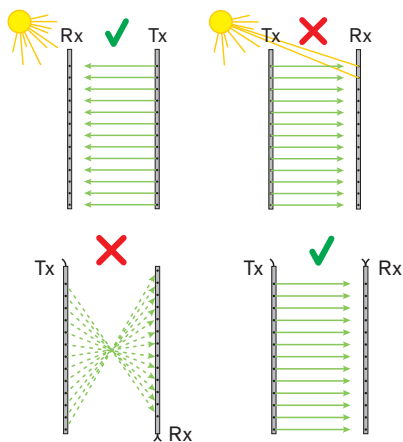


Figura 4: L'UPS presenta lo stesso connettore d'interfaccia verso l'azionamento della porta rispetto al controllore di cegard/ Max, per cui è compatibile con le versioni precedenti

3.6 Istruzioni e precauzioni generali

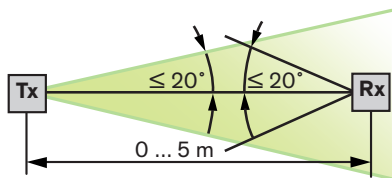


- ▶ Le lenti ottiche non devono essere mai graffiate o verniciate perché formano il percorso della luce! Non praticare ulteriori fori nel profilo. Disimballare i profili appena prima l'installazione per evitare danni.
- ▶ Non piegare o torcere le barriere!
- ▶ L'olio può danneggiare i cavi. Evitare sempre qualsiasi contaminazione!!



- ▶ Sebbene cegard/Mini-MOD non sia sensibile alla luce solare diretta, se possibile, evitare qualsiasi esposizione non necessaria, soprattutto per il ricevitore.
- ▶ Evitare l'interferenza di luci intermittenti o fonti di luci infrarosse, quali fotocellule o altre barriere ottiche.
- ▶ Non installare cegard/Mini-MOD in luoghi in cui le barriere del trasmettitore e del ricevitore sono direttamente esposte a fonti di luce quali tubi al neon o lampade a risparmio energetico.
- ▶ Inserire i connettori per il trasmettitore e il ricevitore nella stessa estremità.

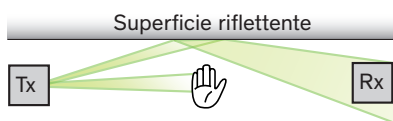
3.7 Allineamento



Gli assi ottici della barriera del trasmettitore (Tx) e del ricevitore (Rx) devono essere allineati tra loro per garantire un funzionamento corretto della barriera ottica.

ATTENZIONE
Possibili rischi per la salute

- ▶ È importante che l'angolo di allineamento del trasmettitore (Tx) rispetto al ricevitore (Rx) sia inferiore a $\pm 10^\circ$ quando la porta è completamente chiusa. Si consiglia di mantenere tale angolo quanto più possibile in prossimità dello zero (vedere figura a sinistra).



Le superfici riflettenti vicine o parallele all'area di protezione possono generare riflessi. Benché cegard/Mini-MOD sia molto resistente a tali riflessi, si consiglia sempre di mantenere una distanza ragionevole tra le barriere del sensore e qualsiasi superficie riflettente.

4. Installazione

L'installazione deve essere effettuata come descritto qui di seguito.

4.1 Seguire le istruzioni di sicurezza

- ▶ Disattivare l'alimentazione elettrica verso il sistema di controllo dell'ascensore e porre chiari contrassegni sull'ascensore per indicare che è fuori servizio.
- ▶ Seguire tutte le misure di sicurezza applicabili.
- ▶ L'installazione deve essere conforme a tutte le normative vigenti e alle misure di sicurezza.

4.2 Montaggio delle barriere del trasmettitore e del ricevitore

Le barriere del trasmettitore (Tx) e del ricevitore (Rx) possono essere montate sui battenti delle porte, sul battente della porta e allo stipite, o a un telaio fissato sull'auto. Si noti che il ricevitore (Rx) (contrassegnato dal connettore blu) può essere sensibile alla luce "esterna". Pertanto si consiglia di montare la barriera del ricevitore (Rx) in modo tale che la luce solare si irradia direttamente dentro le lenti del ricevitore.

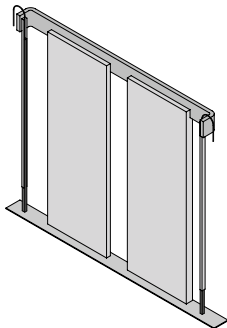


Figura 5: Montaggio statico

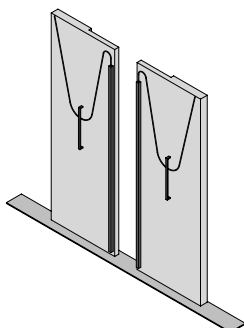


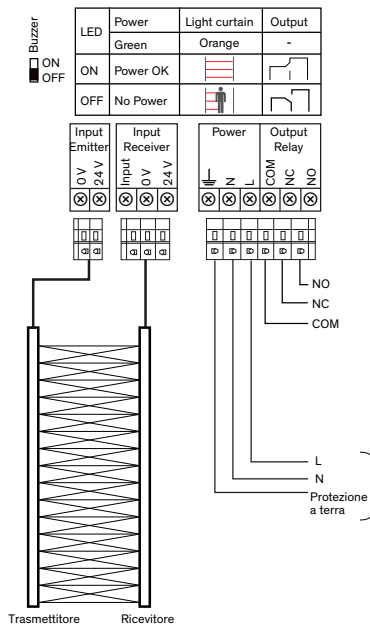
Figura 6: Montaggio dinamico

4.3 Posa dei cavi delle barriere del trasmettitore e del ricevitore

Posare i cavi in modo corretto mediante l'apposito materiale di montaggio, ad es. tubi di protezione, fascette in neoprene, tendifili (a seconda del tipo di kit di montaggio utilizzato).

cegard/Mini-MOD soddisfa tutte le norme in materia di resistenza interferenza elettromagnetica (IEM). Tuttavia, a titolo precauzionale, occorre provvedere alla protezione contro le interferenze. Pertanto non posare i cavi di collegamento di cegard/Mini-MOD vicino ai cavi di alta tensione e/o di alta corrente. Inoltre, i cavi di cegard/Mini-MOD devono essere installati quanto più possibile lontani dal motore dell'azionamento della porta o dall'inverter del motore (azionamenti VVVF) per prevenire problemi legati all'EMI.

5. Collegamento elettrico



Legenda dei LED dell'UPS:

- Il LED di alimentazione (verde) è acceso, se la tensione di alimentazione è collegata correttamente.
- Il LED di uscita (arancione) è acceso, se l'area protetta non è ostruita.

Legenda del cicalino:

- Il cicalino è spento se l'area protetta (barriera ottica) non è ostruita.
- Il cicalino può essere acceso/spento agendo su un interruttore.

Legenda del relè:

Nella configurazione illustrata, il relè si eccita se è messo sotto tensione e non ci sono ostruzioni. Contatto tra COM e NO (collegamento più sicuro).

IMPORTANTE
Il carico dei contatti del relè di uscita è:

- max. 250 VAC / 5 A
- max. 125 VDC / 0,5 A
- max. 30 VDC / 5 A
- min. 5 VDC / 10 mA

Tensione di alimentazione:

- 20 ... 265 VAC o
- 20 ... 375 VDC

IMPORTANTE

► Il connettore dell'interfaccia UPS verso l'azionamento della porta è compatibile con versioni precedenti del connettore dell'interfaccia di cegard/Max verso l'azionamento della porta.

Figura 9: Cablaggio dell'UPS con una barriera ottica

Collegamento della barriera ottica all'UPS

- Il connettore del ricevitore (connettore WAGO a 3 pin) deve essere inserito nell'ingresso del ricevitore (connettore WAGO a 3 pin).
 - Il connettore del trasmettitore deve essere inserito nell'ingresso del trasmettitore (connettore WAGO a 2 pin).
- Seguire lo schema dei cablaggi (figura 9) per collegare l'azionamento della porta all'uscita del relè. L'intera unità lavorerà solo secondo il principio del circuito chiuso se il relè viene collegato come illustrano nella figura 9.

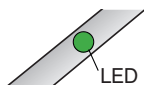


ATTENZIONE Possibili rischi per la salute

- Questo dispositivo (così come tutti gli altri sistemi di protezione delle porte in commercio) non possono, per la loro stessa natura, fornire la sicurezza assoluta ai passeggeri dell'ascensore che attraversano il vano porta. Esso non è destinato all'uso come dispositivo di sicurezza privo di guasti del meccanismo della porta. Questa funzione di sicurezza deve essere garantita da limitatori della forza di chiusura e dell'energia cinetica con autoeliminazione dei guasti.

5.1 Accensione e collaudo del funzionamento

Verificare la correttezza del cablaggio e dei collegamenti sul posto di lavoro e quindi inserire l'alimentazione. Quindi, il relè si eccita per consentire la chiusura delle porte. Tuttavia, in presenza di un ostacolo nell'area protetta, il relè resterà diseccitato finché l'intera area non sarà libera e tutti i raggi ininterrotti. Il LED verde dell'UPS indica che è disponibile una tensione di alimentazione. Un LED arancione indica lo stato della barriera ottica e del relè di uscita. Le barriere del ricevitore e del trasmettitore (Rx e Tx) di cegard/Mini-MOD sono state installate correttamente. In ciascuna barriera è presente un indicatore ottico (LED) che segnala lo stato della barriera ottica.



Barriera	Colore LED	LED ON	LED OFF	LED lampeggiante
Rx	Arancione	Alimentazione OK Rilevato oggetto	Assenza alimentazione od oggetti	1 elemento rotto*
Tx	Verde	Alimentazione OK	Assenza alimentazione	

* cegard/Mini-MOD presenta una funzione muting. Tale funzione consente alla barriera ottica di continuare a funzionare in caso di rottura di un elemento.

Nota importante:

Questa funzione non è disponibile negli Stati Uniti e in Canada.

Suggerimento d'installazione:

Se il cicalino dell'UPS viene attivato mediante l'interruttore, un raggio interrotto viene segnalato dal suono del cicalino. Questa funzione è molto utile dopo l'installazione per controllare il corretto funzionamento dell'UPS e della barriera ottica connessa.

6. Individuazione e eliminazione dei guasti

Guasto / Problema	Azione
La porta resta aperta; i LED verde e arancione sulle barriere si spengono	<p>La tensione di alimentazione dell'UPS (alimentatore universale) è corretta?</p> <ul style="list-style-type: none"> ▶ Misurare l'alimentazione di rete del connettore. L'alimentazione elettrica deve essere pari a 20 bis 265 VAC o 20 ... 375 VDC. ▶ Controllare il LED (verde) di alimentazione sull'UPS. <p>Ci sono fili rotti?</p> <ul style="list-style-type: none"> ▶ Misurare e controllare i cavi dell'alimentazione elettrica. ▶ Misurare e controllare i cavi del trasmettitore e del ricevitore agendo manualmente sui cavi stessi.
La porta resta aperta; i raggi non sono interrotti	<p>La barriera ottica è collegata correttamente all'UPS?</p> <ul style="list-style-type: none"> ▶ Accertarsi che i cavi del trasmettitore e del ricevitore siano collegati all'UPS. <p>Il collegamento di terra (PE) è difettoso?</p> <ul style="list-style-type: none"> ▶ Accertarsi che la terra (PE) sia collegata all'UPS. <p>I sensori sono rivolti uno verso l'altro?</p> <ul style="list-style-type: none"> ▶ È importante che le parti attive delle unità del trasmettitore e del ricevitore sono montati in maniera tale che siano rivolti uno verso l'altro. La parte attiva del sensore è il lato con le lenti tonde nere. <p>I sensori o gli schermi protettivi sono sporchi?</p> <ul style="list-style-type: none"> ▶ La parte attiva del sensore è il lato con le lenti tonde nere. Accertarsi che le lenti nere siano pulite e non verniciate o graffiate. ▶ Accertarsi che gli schermi di protezione non siano verniciati o graffiati. <p>Ci sono raggi interrotti?</p> <ul style="list-style-type: none"> ▶ Verificare che non ci siano oggetti che blocchino il percorso della luce tra trasmettitore e ricevitore quando la porta è aperta e durante la chiusura. <p>Le barriere sono allineate in maniera non corretta?</p> <ul style="list-style-type: none"> ▶ Gli assi ottici della barriera del trasmettitore (Tx) e del ricevitore (Rx) devono essere allineati tra loro per garantire un funzionamento corretto della barriera ottica. <p>È presente un'interferenza EMC eccessiva ad es. dall'azionamento della porta?</p> <ul style="list-style-type: none"> ▶ Non posare i cavi di collegamento di cegard/Mini-MOD vicino a cavi di alta tensione e/o alta corrente. Inoltre, i cavi di cegard/Mini-MOD devono essere installati quanto più possibile lontani dal motore dell'azionamento della porta o dall'inverter del motore (azionamenti VVVF) per prevenire problemi legati all'EMI. <p>È presente un'eccessiva interferenza della luce, ad es. dalle lampade fluorescenti?</p> <ul style="list-style-type: none"> ▶ Non installare le barriere del ricevitore di cegard/Mini-MOD direttamente esposte a fonti di luce quali tubi al neon o lampade a risparmio energetico.
La porta si chiude solo quando un oggetto interrompe i raggi.	<p>La logica dell'uscita del relè è impostata correttamente?</p> <ul style="list-style-type: none"> ▶ Controllare se il controllore dell'ascensore / della porta necessità di una logica "normalmente aperta" o "normalmente chiusa".
Aperture casuali della porta	<p>I cavi del trasmettitore o del ricevitore sono danneggiati?</p> <ul style="list-style-type: none"> ▶ Controllare eventuali rotture dei cavi toccandoli con le mani. <p>È presente una qualsiasi interferenza con il trasmettitore da altri sensori a raggi infrarossi (direttamente o per riflessione da superfici lucenti)?</p> <ul style="list-style-type: none"> ▶ Evitare l'interferenza di luci intermittenti o fonti di luci infrarosse, quali fotocellule o altre barriere ottiche. ▶ Le superfici riflettenti vicine o parallele all'area di protezione possono generare riflessi.

Se un problema persiste, contattare il rappresentante CEDES locale. Per conoscere i dati di contatto, visitare www.cedes.com.

7. Manutenzione

Sebbene il sistema cegard/Mini-MOD non richieda alcuna manutenzione periodica, si consiglia vivamente di verificarne la funzionalità in occasione degli ordinari interventi di manutenzione all'ascensore. Tali controlli periodici comprendono i seguenti interventi: verificare la presenza di sporco e polvere negli elementi ottici del sensore. Se necessario, pulire la superficie anteriore con un panno morbido;

- ▶ verificare la funzione di riapertura in tutta l'area della porta. La porta deve riaprirsi se un oggetto è collocato in qualsiasi punto tra la soglia e un'altezza massima di 1'800 mm (configurazione standard) dalla soglia;
- ▶ eliminare polvere e sporco dalla superficie anteriore del ricevitore e del trasmettitore con un panno morbido. Tale intervento è particolarmente importante se le barriere della porta sono installate prima che sia ultimata la costruzione dell'edificio (forse a cadenza settimanale durante la costruzione). Per pulire la superficie, il panno deve essere asciutto o appena umido, ma non bagnato;
- ▶ verificare che le barriere siano fissate saldamente ai battenti delle porte e allo stipite;
- ▶ verificare che i cavi siano posizionati correttamente come descritto nelle istruzioni di montaggio del relativo kit.

AVVISO

Danni agli elementi ottici

- ▶ Non utilizzare solventi detergenti aggressivi come l'acetone o trielina o panni meccanici abrasivi, per pulire gli schermi protettivi, la barriera del ricevitore (Rx) o la barriera del trasmettitore (Tx), poiché si potrebbero provocare danni.
- ▶ Si raccomanda vivamente di usare detergenti standard per finestre o sapone e acqua per la pulizia.

8. Smaltimento

Il sistema cegard/Mini-MOD deve essere sostituito solo se viene installato un dispositivo analogo di protezione della porta. Lo smaltimento deve essere effettuato mediante una tecnologia avanzata di riciclaggio ai sensi delle leggi e delle normative locali.

Nella progettazione e nella produzione della barriera ottica non sono stati impiegati materiali dannosi. Tracce di materiali pericolosi potrebbero essere presenti nei componenti elettronici, tuttavia sempre in quantità tali da non provocare alcun danno alla salute.

1. Información sobre seguridad

¡IMPORTANTE! ¡LEER ANTES DE LA INSTALACIÓN!

El cegard/Mini-MOD ha sido desarrollado y producido utilizando sistemas y tecnologías de acuerdo con los últimos avances técnicos. En cualquier caso, aún existe la posibilidad de que se produzcan averías y daños en el sensor.

Para asegurar las condiciones de seguridad:

- ▶ Lea todas las instrucciones y la información incluidas.
- ▶ Siga atentamente las instrucciones indicadas en este manual.
- ▶ Tenga en cuenta todas las advertencias incluidas en la documentación y aplicadas en el sensor.
- ▶ No utilice el sensor en ningún caso si está dañado.
- ▶ Mantenga el manual de instrucciones disponible junto a la instalación.

Su incumplimiento puede provocar reclamaciones por parte de los clientes o campañas de retirada de productos del mercado. El proyectista, el comprador y el instalador tienen la responsabilidad de asegurar que en el momento de la finalización, la instalación cumple con todos los códigos y normativas federales, nacionales y locales que se apliquen a su aplicación.

Para las aplicaciones en ascensores y escaleras mecánicas, se deberá prestar especial atención a la cláusula 2.13.5 "Reapertura de dispositivos para puertas o puertas de cabina de accionamiento mecánico" especificada en el código de seguridad ASME A17.1-2010 / CSA B44-10 para ascensores y escaleras mecánicas.

Este sistema de barrera fotoeléctrica deberá ser instalado únicamente por personal autorizado y con la formación correspondiente. Siga todas las precauciones de seguridad necesarias durante el proceso de instalación, incluyendo la puesta en fuera de servicio del ascensor o la puerta durante la instalación. Es importante tener en cuenta que los objetos que sean más finos que el tamaño del haz luminoso puede que no sean detectados.

1.1 Uso no permitido

El cegard/Mini-MOD **no se deberá** utilizar para:

- Protección de maquinaria peligrosa
- Equipamiento en atmósferas explosivas
- Equipamiento en entornos radioactivos



¡Utilice únicamente dispositivos de seguridad específicos y autorizados para estas aplicaciones; en caso contrario, pueden producirse lesiones graves o incluso la muerte, o daños en la propiedad!

2. Símbolos, mensajes de seguridad

Símbolo	Significado
▶	Instrucción individual o medidas sin un orden particular
1. 2. 3.	Instrucciones secuenciadas
•	Lista sin orden de importancia
→	Referencia a un capítulo, ilustración o tabla incluidos en este documento
Importante	Información importante para el uso correcto del sensor

2.1 Categoría de mensajes de seguridad

Advertencia de riesgos graves para la salud

ADVERTENCIA
Riesgos graves para la salud

Destaca información crítica para el uso seguro del sensor. La inobservancia de estas advertencias puede tener como consecuencia lesiones graves o la muerte.

- ▶ Siga las medidas destacadas por las flechas triangulares
- ▶ Consulte la información de seguridad incluida en el capítulo 2 de este manual

Cuidado ante posibles riesgos para la salud

CUIDADO
Posibles riesgos para la salud

Destaca información crítica para el uso seguro del sensor. La inobservancia de estas advertencias puede tener como consecuencia lesiones.

- ▶ Siga las medidas destacadas por las flechas triangulares
- ▶ Consulte la información de seguridad incluida en el capítulo 2 de este manual

Aviso de riesgo de daños

AVISO
Riesgo de daños

La inobservancia de estos avisos puede provocar daños en el sensor, en el controlador de la puerta y/u otros dispositivos.

- ▶ Siga las medidas destacadas por las flechas triangulares

3. Introducción

El cegard/Mini-MOD (para la modernización) está formado por la barrera fotoeléctrica cegard/Mini probada y de alta eficiencia con fuente de alimentación universal (UPS). Este paquete es óptimo para la modernización eficaz de ascensores. Su alcance de servicio y su ensión de alimentación universal de 20 ... 265 V CA o 20 ... 375 V CC, junto con la salida de relé libre de potencial, hace posible que sea integrado de un modo rápido y sencillo en instalaciones existentes. Se encuentran disponibles kits de modernización completos, una amplia gama de accesorios y configuraciones especiales. Los kits de modernización están optimizados para adaptarse a un mecanismo de accionamiento de puerta o a un tipo de cabina específicos.



Figura 1: Aplicación dinámica



Figura 2: Aplicación estática

3.1 Características del cegard/Mini-MOD

- Se puede instalar en cualquier aplicación gracias a su alcance y a su tensión universal de 20 ... 265 V CA o 20 ... 375 V CC
- Salida de relé para la integración sencilla en sistemas existentes
- Óptimo para reformas utilizando diferentes kits de montaje optimizados para puertas
- Disponibilidad de longitudes de perfil y resoluciones específicas para el cliente
- Disponibilidad de perfiles IP67 impermeables
- El perfil se puede montar de manera frontal o lateral; los orificios de montaje son compatibles con cegard/Mini, MiniMax y cegard/Max

3.2 Componentes del sistema

El cegard/Mini-MOD se suministra en forma de Kit específico para el cliente. Un Kit típico contiene:



Figura 3: Suministro estándar cegard/Mini-MOD

- 1 x perfil emisor (Tx)
- 1 x perfil receptor (Rx)
- 1 x cable de conexión de 5 m, perfil emisor
- 1 x cable de conexión de 5 m, perfil receptor
- 1 x UPS (fuente de alimentación universal)
- 1 x instrucciones de montaje y uso

Por encargo también está disponible una gran variedad de accesorios de montaje.

3.3 Compatibilidad con cegard/Max

- La UPS es completamente compatible desde el punto de vista eléctrico (mismo conector de interfaz).
- La UPS y los perfiles son completamente compatibles desde el punto de vista mecánico. (Puede haber pequeñas diferencias en la longitud física de los perfiles)

3.4 Perfiles de barrera fotoeléctrica

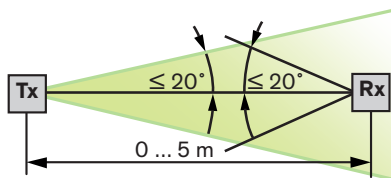
Los perfiles emisor y receptor crean una cuadrícula de haces luminosos infrarrojos que protege la entrada de la puerta hasta una altura de 1'800 mm. El número de haces luminosos que cubren la zona de entrada depende del modelo utilizado. El número situado detrás del nombre del producto cegard/Mini-MOD indica la longitud de la barrera fotoeléctrica y el segundo número la cantidad de elementos ópticos activos.

Mediante la utilización de haces luminosos cruzados, el número de haces luminosos activos utilizados para la protección de la puerta es mayor que el número de elementos (p. ej. 16 elementos corresponden a 74 haces luminosos). Con la utilización de esta técnica se puede lograr una densidad mucho más elevada del campo de protección. Estos haces luminosos cruzados se mantienen activos mientras que la geometría de los elementos ópticos lo permita.

Número de elementos	Número de haces	Distancia aproximada de desconexión de haces luminosos cruzados
16	74	< 800 mm
24	114	< 600 mm
32	154	< 600 mm
36*	174	0 mm

* EN 81-20 compliant

3.7 Alineación



El eje óptico del perfil emisor (Tx) y el perfil receptor (Rx) deben estar alineados uno con respecto al otro para asegurar que la barrera fotoeléctrica funciona correctamente.



CUIDADO

Posibles riesgos para la salud

- ▶ Es importante que el ángulo de alineación del emisor (Tx) con respecto al receptor (Rx) sea inferior a $\pm 10^\circ$ cuando la puerta esté totalmente cerrada. Recomendamos que se mantenga este ángulo lo más cercano posible a cero (véase la figura a la izquierda).



Las superficies reflectantes situadas cerca de o en paralelo a la zona de protección pueden causar reflejos. Aunque el cegard/Mini-MOD es muy resistente frente a este tipo de reflejos, siempre es recomendable mantener una distancia razonable entre los perfiles del sensor y cualquier superficie reflectante.

4. Instalación

La instalación se deberá llevar a cabo del siguiente modo:

4.1 Siga las instrucciones de seguridad

- ▶ Desconecte el suministro eléctrico principal del sistema de control del ascensor y señalice claramente que el ascensor está fuera de servicio.
- ▶ Cumpla todas las medidas de seguridad aplicables.
- ▶ Asegúrese de que su instalación cumple con todas las normativas aplicables y las medidas de seguridad.

4.2 Montaje de los perfiles emisor y el receptor

Los perfiles emisor (Tx) y receptor (Rx) se pueden montar en las hojas de la puerta, en la hoja de la puerta y en el poste de cierre o en un marco que esté unido a la cabina. Tenga en cuenta que el receptor (Rx) (el que tiene el conector azul) puede ser sensible a la luz 'externa'. Por lo tanto, se recomienda montar el perfil receptor (Rx) de forma que la luz solar no llegue directamente a la lente del receptor.

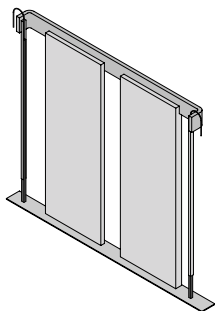


Figura 5: Montaje estático

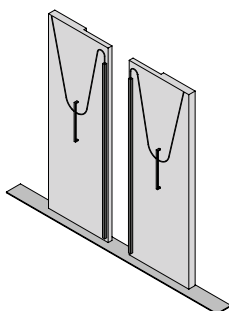
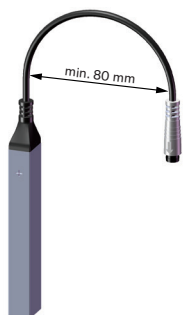


Figura 6: Montaje dinámico

4.3 Guiado de los cables del perfil emisor y el receptor

Guíe los cables adecuadamente utilizando el material de montaje, p. ej. tubos protectores para cables, bridas para cables, alambres de guía para cables (en función del tipo de kit de montaje utilizado).

El cegard/Mini-MOD cumple todas las normas de resistencia a interferencias electromagnéticas (IEM). En todo caso, es aconsejable evitar las interferencias. Por lo tanto, no guíe los cables de conexión del cegard/Mini-MOD cerca de cables conductores de alta tensión y/o corriente elevada. Los cables del cegard/Mini-MOD también se deberán montar lo más alejado posible del motor del mecanismo de accionamiento de puerta o del convertidor del motor (accionamientos VVVF) para evitar problemas de IEM.



AVISO

- ▶ Asegúrese de que el radio de flexión de los cables sea mayor que 80 mm cuando los cables estén montados.
- ▶ Si los cables no están fijados y guiados correctamente, se puede reducir drásticamente su vida útil. También pueden resultar dañados debido a al movimiento y los soportes en el elevador. Siga siempre atentamente las instrucciones de guiado de los cables que se pueden encontrar en las correspondientes instrucciones de montaje y uso del kit de montaje.
- ▶ Es muy importante que los cables se instalen correctamente para asegurar la máxima fiabilidad y vida útil posible de la barrera fotoeléctrica. Un cable que haya sido instalado correctamente resistirá más de 20 millones de movimientos de la puerta, mientras que un cable mal instalado puede romperse después de menos de 100'000 movimientos de la puerta.

4.4 Montaje dinámico

La siguiente figura ofrece una visión general de la instalación del cegard/Mini-MOD en un ascensor. En los manuales de los kits de montaje se ofrecen detalles adicionales.

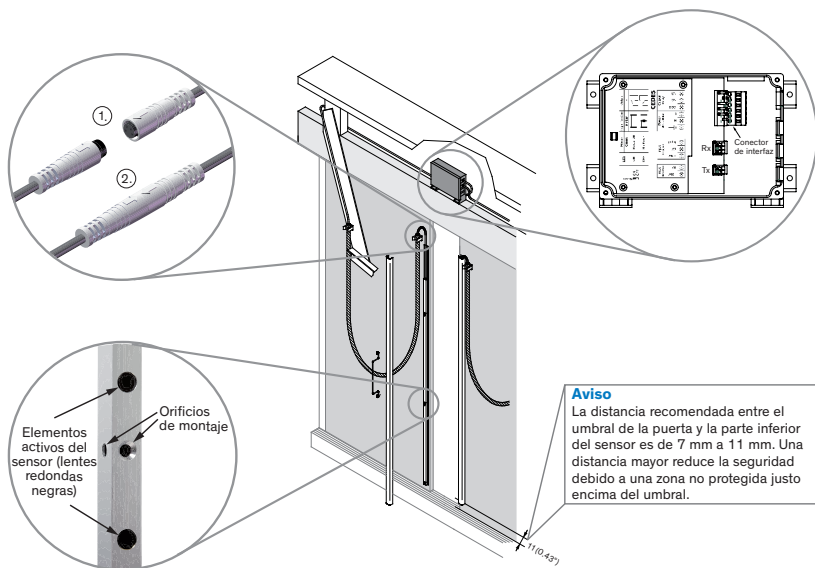


Figura 7: Ejemplo de montaje para una aplicación de protección de las puertas de un ascensor

4.5 Instalación de la UPS (fuente de alimentación universal)

La UPS se puede montar en posición horizontal o vertical con cuatro tornillos cerca del operador de accionamiento de puerta. El montaje es compatible con el controlador cegard/Max.

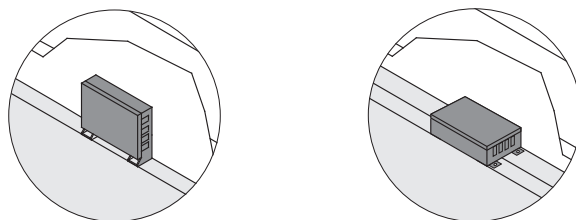
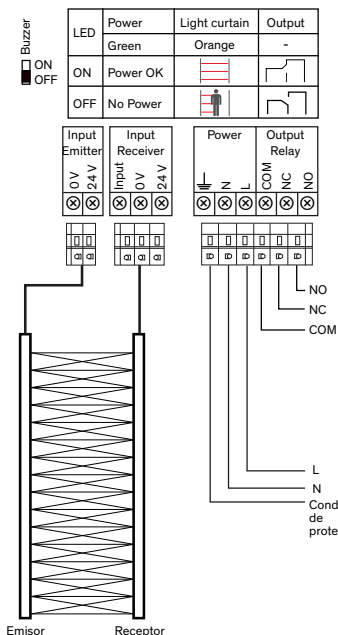


Figura 8: Posibilidades de montaje de la UPS

5. Conexión eléctrica



Definición de LED de la UPS:

- El LED de alimentación (verde) está activo si la tensión de alimentación está conectada correctamente.
- El LED de salida (naranja) está activo si la zona protegida no está obstruida.

Funcionamiento de zumbador:

- El zumbador está desactivado si la zona protegida (barrera fotoeléctrica) no está obstruida.
- El zumbador se puede activar / desactivar utilizando el interruptor.

Definición de relé:

En la configuración mostrada, el relé es alimentado si se aplica tensión y no hay obstrucción. Contacto entre COM y NO (conexión más segura).

IMPORTANTE

La capacidad de contacto del relé de salida es:

- max. 250 VAC / 5 A
- max. 125 VDC / 0.5 A
- max. 30 VDC / 5 A
- min. 5 VDC / 10 mA

Tensión de alimentación:

- 20 ... 265 VAC o
- 20 ... 375 V DC

IMPORTANTE

► El conector de interfaz de la UPS para el operador de accionamiento de puerta es compatible con el conector de interfaz de cegard/Max para el operador de accionamiento de puerta.

Figura 9: Cableado de la UPS con una barrera fotoeléctrica

Conexión de la barrera fotoeléctrica con la UPS

- El conector del receptor (conector WAGO de 3 terminales) debe conectarse a la entrada del receptor (conector WAGO de 3 terminales).
- El conector del emisor debe conectarse a la entrada del emisor (conector WAGO de 2 terminales).

Observe el diagrama de cableado (Figura 9) para conectar el operador de accionamiento de puerta a la salida del relé. La unidad completa solo funcionará de acuerdo con el principio de circuito cerrado, si el relé está activo como se muestra en la Figura 9.



¡CUIDADOT

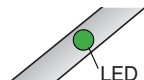
Posibles riesgos para la salud

- Por su naturaleza, este dispositivo (al igual que todos los demás sistemas de protección de puertas del mercado) no puede proporcionar protección absoluta para los pasajeros del ascensor que pasen a través del vano de la puerta. No se deberá utilizar como el dispositivo final a prueba de fallos del operador de la puerta. Esta última función de seguridad debe asegurarse por sistema a prueba de fallos y un limitador de energía cinética.

5.1 Conexión de la alimentación y prueba de funcionamiento correcto

Asegúrese de que todos los cableados y las conexiones del lado de operador son correctos y, a continuación, conecte la alimentación. Seguidamente, el relé estará activado de forma que las puertas se puedan cerrar. Sin embargo, si hay obstáculos en la zona protegida, el relé permanecerá desactivado hasta que la zona completa esté despejada y todos los haces luminosos dejen de estar interrumpidos. El LED de color verde en la UPS indica que hay tensión de alimentación disponible. El LED de color ámbar indica el estado de la barrera fotoeléctrica y del relé de salida.

El perfil receptor y emisor (Rx y Tx) del cegard/Mini-MOD han sido instalados correctamente. En cada perfil hay un indicador óptico (LED) que indica el estado de la barrera fotoeléctrica.



Perfil	Color	LED con.	LED desc.	LED intermitente
Rx	Naranja	Corriente eléctrica correcta Objeto detectado	Sin corriente eléctrica o ningún objeto	1 elemento averiado*
Tx	Verde	Corriente eléctrica correcta	Sin corriente eléctrica	

* El cegard/Mini-MOD dispone de una función de blanqueo de un elemento. Esto permite a la barrera fotoeléctrica continuar funcionando cuando un elemento está averiado.

Recordar:

Esta función no está disponible para EE.UU. y Canadá.

Consejo de instalación:

Si el zumbador de la UPS se activa mediante el DIP, la interrupción de un haz luminoso se indicará mediante una señal del zumbador. Esta función resulta muy útil después de la instalación para comprobar el funcionamiento adecuado de la UPS y de la barrera fotoeléctrica conectada.

6. Eliminación de averías

Fallo / Problema	Acción
La puerta permanece abierta; los LED verde y ámbar en los perfiles están apagados	<p>¿La tensión de alimentación de la UPS (fuente de alimentación universal) es correcta?</p> <ul style="list-style-type: none"> ▶ Mida la tensión de alimentación en el conector. El suministro eléctrico principal debe ser de 20 ... 265 V CA o 20 ... 375 V CC. ▶ Compruebe el LED de alimentación (verde) en la UPS. <p>¿Hay algún cable roto?</p> <ul style="list-style-type: none"> ▶ Mida y compruebe los cables del suministro eléctrico principal. ▶ Mida y compruebe los cables del emisor y el receptor moviendo los cables manualmente.
La puerta permanece abierta; los haces de luz no están interrumpidos	<p>¿La barrera fotoeléctrica está conectada correctamente a la UPS?</p> <ul style="list-style-type: none"> ▶ Asegúrese de que los cables del emisor y el receptor están conectados a la UPS. <p>¿La conexión a tierra (PE) está defectuosa?</p> <ul style="list-style-type: none"> ▶ Asegúrese de que la conexión a tierra (PE) está conectada a la UPS. <p>¿Los sensores están orientados "mirando" uno hacia el otro?</p> <ul style="list-style-type: none"> ▶ Es importante que las partes activas de los perfiles de emisor y receptor estén montadas de forma que estén una enfrente de otra. La parte activa del sensor es el lado con las lentes redondas negras. <p>¿Los sensores o las tapas protectoras están sucios?</p> <ul style="list-style-type: none"> ▶ La parte activa del sensor es el lado con las lentes negras redondas. Asegúrese de que las lentes negras están limpias y que no tienen rayaduras ni están pintadas. ▶ Asegúrese de que las tapas protectoras no están pintadas ni tienen arañazos. <p>¿Se ha interrumpido algún haz luminoso?</p> <ul style="list-style-type: none"> ▶ Asegúrese de que ningún objeto bloquea el haz luminoso entre el emisor y el receptor mientras la puerta está abierta y mientras que la puerta se está cerrando. <p>¿Los perfiles están correctamente alineados?</p> <ul style="list-style-type: none"> ▶ El eje óptico del perfil emisor (Tx) y el perfil receptor (Rx) deben estar alineados uno con respecto al otro para asegurar que la barrera fotoeléctrica funciona correctamente. <p>¿Existe una interferencia CEM excesiva, p. ej. del operador de accionamiento de puerta?</p> <ul style="list-style-type: none"> ▶ No guíe los cables de conexión del cegard/Mini-MOD cerca de cables conductores de alta tensión y/o corriente elevada. Los cables del cegard/Mini-MOD también se deberán montar lo más alejado posible del motor del operador de accionamiento de puerta o del convertidor del motor (accionamientos VVVF) para evitar problemas de IEM. <p>¿Existe una interferencia de luz excesiva, p. ej. de las lámparas fluorescentes?</p> <ul style="list-style-type: none"> ▶ No instale los perfiles del receptor cegard/Mini-MOD de forma que estén expuestos directamente a fuentes de luz, tales como tubos fluorescentes o lámparas de ahorro energético.
La puerta solo se cierra cuando un objeto interrumpe el haz luminoso	<p>¿Se ha ajustado correctamente la lógica de la salida de relé?</p> <ul style="list-style-type: none"> ▶ Compruebe si el elevador /controlador de la puerta necesita una lógica de apertura normal o de cierre normal.
Aperturas aleatorias de las puertas	<p>¿Están dañados los cables del emisor o del receptor?</p> <ul style="list-style-type: none"> ▶ Comprueba la presencia de roturas en los cables, tocando los cables manualmente. <p>¿Existen interferencias con el emisor por parte de otros sensores infrarrojos (directamente o por el reflejo de las superficies brillantes)?</p> <ul style="list-style-type: none"> ▶ Evite la interferencia de fuentes de luminosas intermitentes o luces infrarrojas, como células fotoeléctricas u otras barreras fotoeléctricas. ▶ Las superficies reflectantes situadas cerca de o en paralelo a la zona de protección pueden causar reflejos.

Si el problema persiste, póngase en contacto con su proveedor CEDES local. Visite la página web www.cedes.com para consultar los datos de contacto.

7. Mantenimiento

Aunque el sistema cegard/Mini-MOD no necesita un mantenimiento periódico, es altamente recomendable llevar a cabo un mantenimiento al menos con cada comprobación de mantenimiento del ascensor. La prueba de funcionamiento periódica debería consistir en lo siguiente: Los elementos ópticos del sensor están limpios de suciedad y polvo. Si es necesario, limpie la superficie frontal con un paño suave.

- ▶ Comprueba la función de reapertura en toda la zona de la puerta. La puerta se debería reabrir si se sitúa un objeto en cualquier lugar entre el umbral y hasta una altura de 1'800 mm (configuración estándar) por encima del umbral.
- ▶ Limpie la superficie frontal del receptor y el emisor con un paño suave para eliminar el polvo o la suciedad. Esto es especialmente importante si los perfiles de la puerta se han instalado antes de que haya finalizado la construcción del edificio (quizás semanalmente durante la construcción). Para limpiar la superficie el paño deberá estar seco o ligeramente húmedo, pero no mojado.
- ▶ Asegúrese de que los perfiles están fijados de forma segura a las hojas de la puerta y al poste de cierre. Asegúrese de que los cables se han colocado adecuadamente como se describe en las instrucciones de instalación apropiadas del kit de montaje.

8. Eliminación

El sistema cegard/Mini-MOD solo deberá sustituirse si se ha instalado un dispositivo de protección de puertas similar. La eliminación se deberá realizar de acuerdo los últimos avances de la tecnología de reciclaje y conforme a las normativas y regulaciones locales.

Para el diseño y la fabricación de la barrera fotoeléctrica no se han utilizado materiales nocivos. Es posible que en los componentes electrónicos se utilicen partes de este tipo de materiales peligrosos, pero no en cantidades que son nocivas para la salud.

AVISO

Daños en los elementos ópticos

- ▶ No utilice disolventes de limpieza agresivos como acetona, tricloruro o paños mecánicamente abrasivos para limpiar las tapas protectoras, el perfil receptor (Rx) o el perfil transmisor (Tx), ya que se pueden producir daños.
- ▶ Recomendamos encarecidamente la utilización de limpiacristales estándar o agua y jabón para realizar la limpieza.

1. Säkerhetsinformation

VIKTIGT! LÄS FÖRE INSTALLATIONEN!

cegard/Mini-MOD har utvecklats och tillverkas med hjälp av bästa möjliga teknik. Men skador på sensorn kan fortfarande förekomma.

För att garantera säker funktion:

- ▶ Läst alla bifogade instruktioner och informationer.
- ▶ Följ instruktionerna i denna bruksanvisning noga.
- ▶ Följ alla varningar som ingår i dokumentation och är fästa på sensorn.
- ▶ Använd inte sensorn om den är skadad på något sätt.
- ▶ Förvara bruksanvisningen inom räckhåll.

Underlåtenhet att göra detta kan leda till klagomål från kunder eller reklamationer. Det åligger föreskrivare, köpare och installatör att se till att installationen efter färdigställandet uppfyller alla relevanta lagar, lokala regler och bestämmelser som gäller för din installation.

För hissar och rulltrappor, bör särskild uppmärksamhet ägnas åt avsnitt 2.13.5 öppningsenheter strömdrivna dörrar eller grindar som anges i ASME A17.1-2010/ CSA B44-10 säkerhetskod för hissar och rulltrappor.

Detta ljusrådssystem får endast installeras av auktoriserad och utbildad personal. Följ alla säkerhetsföreskrifter under installationsprocessen, inklusive att ta hissen eller dörren ur funktion under installationen. Det är viktigt att notera att objekt som är tunnare än avståndet mellan strålarna möjligen inte kan detekteras.

1.1 Icke avsedd användning

cegard/Mini-MOD får inte användas för:

- Skydd av farliga maskiner
- Utrustning i explosiva miljöer
- Utrustning i radioaktiva miljöer



Använd endast särskilda och godkända säkerhetsanordningar för sådana tillämpningar, annars kan det uppstå allvarliga skador eller dödsfall eller skada på egendom!

2. Symboler, säkerhetsmeddelanden

Symbol	Betydelse
▶	Enkel instruktion eller åtgärder utan speciell ordningsföljd
1. 2. 3.	Sekvenserade instruktioner
•	Lista utan prioritetsordning
→	Hänvisning till ett kapitel, illustration eller en tabell i det här dokumentet
Viktigt	Viktig information för korrekt användning av sensorn

2.1 Säkerhetsmeddelandekategorier

Varning för allvarliga hälsorisker

VARNING
Säkerhetsrisker

Viktig information för säker användning av sensorn. Om dessa varningar ignoreras kan detta leda till allvarliga skador och olyckor.

- ▶ Följ de åtgärder som lyfts fram av de triangelformade pilarna
- ▶ Konsultera säkerhetsinformationen i kapitel 2 i denna bruksanvisning

Varning för möjliga säkerhetsrisker

OBSERVERA
Eventuella säkerhetsrisker

Framhäver viktig information för säker användning av sensorn. Om dessa varningar ignoreras kan detta leda till skador.

- ▶ Följ de åtgärder som lyfts fram av de triangelformade pilarna
- ▶ Konsultera säkerhetsinformationen i kapitel 2 i denna bruksanvisning

Observera skaderisk

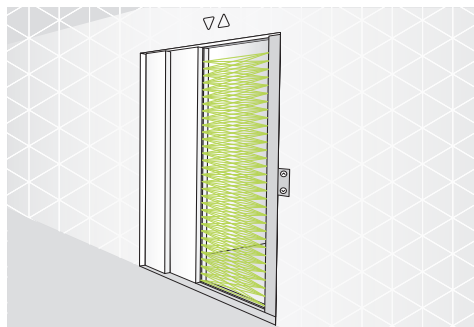
OBS
Skaderisk

Ignorerar man dessa meddelanden kan detta leda till skador på sensorn, dörrcentralen och/eller andra enheter.

- ▶ Följ de åtgärder som lyfts fram av de triangelformade pilarna

3. Inledning

cegard/Mini-MOD (för modernisering) innehåller den beprövade och extremt tillförlitliga cegard/Mini ljusridån med Universal Power Supply (UPS). Detta paket är perfekt för kostnadseffektiv modernisering av hissar. Dess arbetsområde och universell spänning på 20 ... 265 VAC eller 20 ... 375 VDC, tillsammans med den potentialfria reläutgången, innebär att den snabbt och enkelt kan integreras i befintliga anläggningar. Kompletta satser för modernisering, ett brett sortiment av tillbehör och specialkonfigurationer finns tillgängliga. Moderniseringssatsen är optimerad för att passa en specifik dörrrenhet eller hisskorg.



Figur 1: Dynamisk applikation



Figur 2: Statisk applikation

3.1 Funktioner i cegard/Mini-MOD

- Kan installeras var som helst tack vare sin räckvidd och universella spänning på 20 ... 265 VAC eller 20 ... 375 VDC
- Reläutgång för enkel integrering i befintliga system
- Perfekt för eftermontering med olika optimerade dörrmonteringssatser
- Finns även med kundspecifika profillängder och upplösningar
- Vattentät IP67 listversion tillgänglig
- Listen kan monteras på front eller sida; monteringshål är kompatibla med cegard/Mini, MiniMax och cegard/Max

3.2 Systemkomponenter

cegard/Mini-MOD levereras med ett kundspecifikt leveranspaket. En typisk leverans innehåller:



Figur 3: Typiskt cegard/Mini-MOD leveranspaket

- 1 x sändarlist (Tx)
- 1 x mottagarlist (Rx)
- 1 x anslutningskabel 5 m, sändarlist
- 1 x anslutningskabel 5 m, mottagarlist
- 1 x UPS (Universal Power Supply)
- 1 x installations- och bruksanvisning

En mängd olika monteringsstillbehör finns också tillgängliga på begäran.

3.3 Bakåtkompatibilitet med cegard/Max

- UPS-enheten är elektriskt fullt bakåtkompatibel (samma gränssnittskontakt).
- UPS och listerna är mekaniskt fullt bakåtkompatibla. (Det kan finnas små skillnader i listernas fysiska längder).

3.4 Ljusridålistor

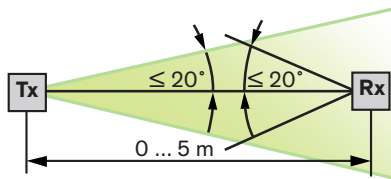
Sändarlistor och mottagarlistor skapar ett rutnät av infraröda strålar, som skyddar dörringången till en höjd upp till 1'800 mm. Antalet strålar som täcker ingångsområdet beror på vilken modell som används. Numret efter produktnamnet cegard/Mini-MOD anger längden på ljusridån och det andra numret är antalet aktiva optoelement.

På grund av att strålarna går kors och tvärs, är antalet aktiva strålar som används för dörrskyddet högre än antalet element. (t.ex. 16 element motsvarar 74 strålar). Med denna teknik kan man öppna ett skyddsfält med mycket högre täthet. Kors och tvärs strålarna upprätthålls av systemet så länge som optikens geometri tillåter detta.

Antal element	Antal strålar	Ungefärligt avstängningsavstånd för kors och tvärs strålarna
16	74	< 800 mm
24	114	< 600 mm
32	154	< 600 mm
36*	174	0 mm

* EN 81-20 compliant

3.7 Uppriktning



Sändarens optiska axel (Tx) och mottagarlisten (Rx) måste anpassas till varandra för att säkerställa att ljusriddan fungerar tillförlitligt.



OBSERVERA Eventuella säkerhetsrisker

- ▶ Det är viktigt att inriktningsvinkeln hos sändaren (Tx) till mottagaren (Rx) är mindre än $\pm 10^\circ$, när dörren är helt stängd. Vi rekommenderar att du behåller denna vinkel så nära noll som möjligt (se figur till vänster).



Reflekerande ytor nära till eller parallellt med det skyddade området kan orsaka reflexer. Även om cegard/Mini-MOD är mycket robust mot sådana reflexioner, är det alltid klokt att hålla ett rimligt avstånd mellan ljusriddan och varje reflekterande yta.

4. Installation

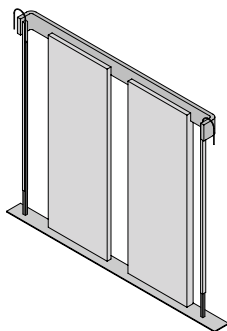
Installationen skall utföras på följande sätt:

4.1 Följ säkerhetsinstruktionerna

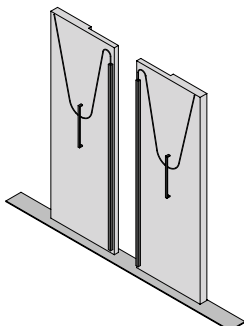
- ▶ Stäng av huvudströmmen till hissens styrsystem och markera tydligt att hissen är ur funktion.
- ▶ Följ alla tillämpliga säkerhetsåtgärder.
- ▶ Se till att installationen uppfyller alla tillämpliga bestämmelser och säkerhetsåtgärder.

4.2 Montering av sändarens och mottagarens lister

Sändarens (Tx) och mottagarens (Rx) list kan monteras antingen på dörrbladen, på dörrbladet och dörrposten, eller på en ram som är fäst på hisskorgen. Observera att mottagaren (Rx) (den med blå kontakt) kan vara känsliga för "främmande" ljus. Så det rekommenderas att montera mottagarens (Rx) list, så att inget solljus faller direkt in i mottagarlinsen.



Figur 5: Statisk montering

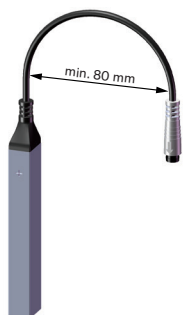


Figur 6: Dynamisk montering

4.3 Dragning av kablar för sändarens och mottagarens lister

Drag kablarna ordentligt med lämpligt monteringsmaterial, t.ex. kabelskyddsrör, buntband av neopren, styrtrådar för kablar (beroende på vilken typ av monteringssett som används).

cegard/Mini-MOD uppfyller alla normer för elektromagnetisk störtaålighet (EMI). Det är emellertid lämpligt att skydda mot störningar. Därför skall man inte dra cegard/Mini-MOD anslutningskablar nära högspänningskablar eller liknande. cegard/Mini-MOD-kablarna bör också monteras så långt bort som möjligt från dörrmotor eller motorns omformare för att undvika EMI problem.

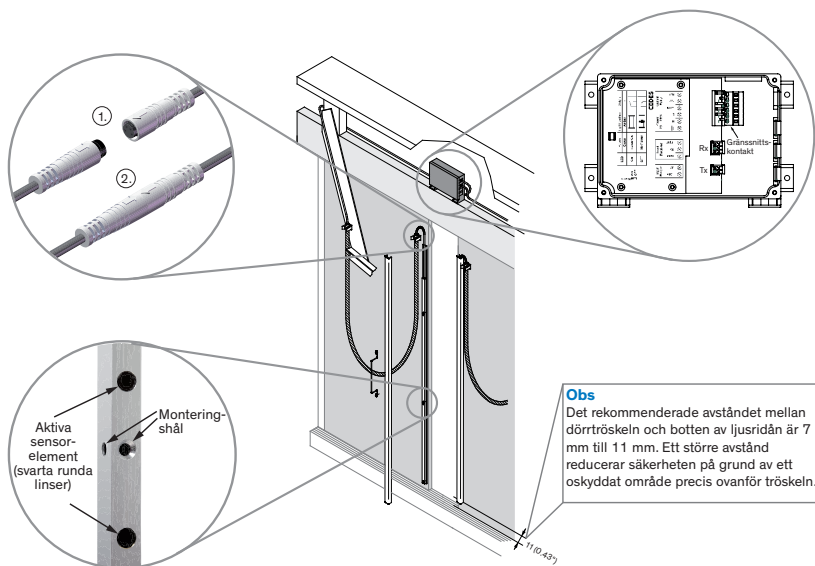


OBS

- ▶ Se till att kabeln böjningsradie är större än 80 mm när kablarna monteras.
- ▶ Om kablarna inte är ordentligt fästa och dragna, kan deras livslängd reduceras drastiskt. De kan också skadas på grund av eventuell sving rörelse och fasthakning i hisstrumman! Följ alltid instruktionerna för kabeldragningen noggrant. Dessa kan hittas i installationsanvisning och bruksanvisning i motsvarande monteringsatts.
- ▶ Det är mycket viktigt att installera kablarna ordentligt för att säkerställa högsta möjliga tillförlitlighet och livslängd på ljusridån. En korrekt installerad kabel klarar mer än 20 miljoner dörr rörelser, medan en dåligt installerad kabel kan gå sönder efter mindre än 100'000 dörr rörelser.

4.4 Dynamisk montering

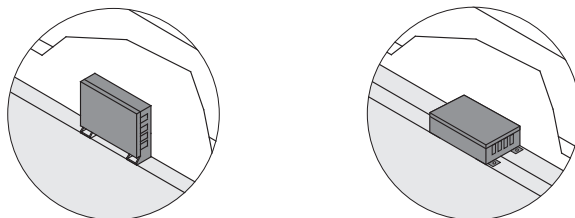
Följande bild ger en översikt över installationen av cegard/Mini-MOD i en hissapplikation. Ytterligare information finns i handböckerna för monteringsatts.



Figur 7: Monterings exempel för en hissdörrskyddsapplikation

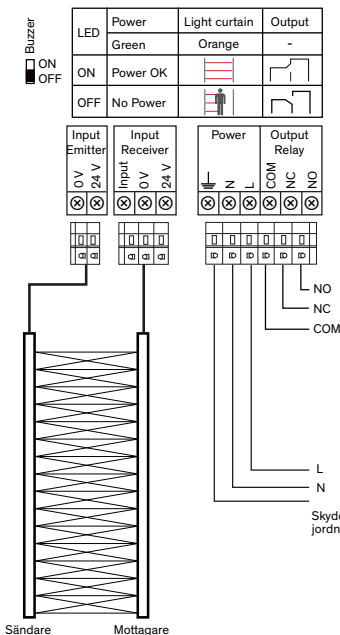
4.5 Installation av UPS (Universal Power Supply)

UPS-enheten kan monteras horisontellt eller vertikalt med fyra skruvar nära dörrenheten. Montering är bakåtkompatibel med cegard/Max. Montering är bakåtkompatibel med styrenheten.



Figur 8: Monteringsmöjligheter för UPS

5. Elanslutning



Figur 9: Inkoppling av UPS med en ljusråd

UPS LED definition:

- Spänning LED (grön) är PÅ, om matningsspänningen är korrekt ansluten.
- Utgång LED (orange) är PÅ, om det skyddade området inte blockeras.

Summer definition:

- Summer är AV, om det skyddade området (ljusråd) inte blockeras.
- Summer kan slås på/av med hjälp av en omkopplare.

Relä definition:

I den visade konfigurationen är reläet aktiverat om spänningen ligger an och blockering saknas. Kontakt mellan COM och NO (säkraste anslutning).

VIKTIGT

Kontaktvärdena för utgångsreläet är:

- max. 250 VAC / 5 A
- max. 125 VDC / 0,5 A
- max. 30 VDC / 5 A
- min. 5 VDC / 10 mA

Strömförsörjning:

- 20 ... 265 VAC eller
- 20 ... 375 VDC

VIKTIGT

- UPS-gränssnittskontakten till dörrheten är bakåtkompatibel med cegard/Max-gränssnittskontakten till dörrheten.

Anslutning av ljusrådan till UPS

- Mottagarens anslutning (3-stift WAGO-kontakt) måste anslutas till mottagarens ingång (3-stift WAGO plugg).
- Sändarkontakten måste anslutas till sändaringången (2-stift WAGO plugg).

Följ kopplingschemat (figur 9) för att ansluta dörrheten till reläutgången. Hela enheten kommer bara att fungera enligt principen sluten krets om reläet är anslutet så som visas i figur 9.



OBSERVERA

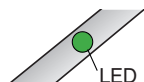
Eventuella säkerhetsrisker

- Denna enhet (liksom alla andra dörrskyddssystem på marknaden) kan inte - genom sin art - ge absolut skydd för hisspassagerare som går igenom dörröppningen. Den får inte användas som en felsäker anordning för dörrmekanismen. En absolut säker säkerhetsfunktion måste tillhandahållas av en felsäker begränsare av kraft och rörelseenergi.

5.1 Uppstart och test av korrekt funktion

Se till att alla kablar och anslutningar på arbetsplatsen är korrekta och koppla därefter till strömmen. Efter detta är reläet magnetiserat så att dörrarna kan stänga. Men när det finns något hinder inom det skyddade området, kommer reläet att förbli strömlöst tills hela området är fritt och inga strålar är blockerade. Den gröna lysdioden i UPS indikerar att det finns matningsspänning. En bärnstensfärgad lysdiod indikerar status för ljusrådan och utgångsreläet.

cegard/Mini-MOD-mottagarens och sändarens (Rx och Tx) list har installerats korrekt. I varje list finns det en optisk indikator (LED) som indikerar ljusrådans status.



List	LED-färg	LED på	LED av	LED blinkar
Rx	Orange	Spänning OK Objekt detekterat	Ingen ström eller inget objekt	1 element defekt*
Tx	Grön	Spänning OK	Ingen ström	

* cegard/Mini-MOD har en förbikopplingsfunktion. Detta gör att ljusråd kan fortsätta att fungera när ett element är trasigt.

Observera:

Denna funktion är inte tillgänglig i USA och i Kanada.

Installationstips:

När summern på UPS-enheten är påslagen med omkopplaren, indikeras en avbruten stråle med en summersignal. Den här funktionen är till stor hjälp efter installationen för att kontrollera korrekt funktion hos UPS och den anslutna ljusridån.

6. Felsökning

Fel / Problem	Åtgärd
Dörren är öppen, gröna och bärnstensfärgade lysdioder på listerna är AV	<p>Är UPS (Universal Power Supply) strömförsörjning OK?</p> <ul style="list-style-type: none"> ▶ Mät huvudströmmen på kontakten. Huvudströmmen måste vara 20 ... 265 VAC eller 20 ... 375 VD. ▶ Kontrollera strömindikatorn (grön) på UPS-enheten. <p>Är någon kabel trasig?</p> <ul style="list-style-type: none"> ▶ Mät och kontrollera de viktigaste huvudströmkablarna. ▶ Mät och kontrollera kablarna för sändaren och mottagaren genom att flytta kablarna för hand.
Dörren är öppen; strålarna avbryts inte	<p>Är ljusridån korrekt ansluten till UPS?</p> <ul style="list-style-type: none"> ▶ Se till att inga sändarens och mottagarens kablar är anslutna till UPS-enheten. <p>Är jordningsanslutningen (PE) defekt?</p> <ul style="list-style-type: none"> ▶ Kontrollera att jordningen (PE) är ansluten till UPS-enheten. <p>Ser sensorerna "öga mot öga"?</p> <ul style="list-style-type: none"> ▶ Det är viktigt att sändarens och mottagarens aktiva delar är monterade så att de ser varandra rakt i ögat. Den aktiva delen av sensorn är den med de svarta runda linserna. <p>Är sensorerna eller siktskydden smutsiga?</p> <ul style="list-style-type: none"> ▶ Den aktiva delen av sensorn är den med de svarta runda linserna. Se till att de svarta linserna är rena och inte målas eller repas. ▶ Se till att siktskydden inte är målade eller repade. <p>Är någon stråle avbruten?</p> <ul style="list-style-type: none"> ▶ Se till att inga föremål blockerar strålgången mellan sändare och mottagare medan dörren är öppen och när dörren stängs. <p>Är listerna felaktigt uppriktade?</p> <ul style="list-style-type: none"> ▶ Sändarens optiska axel (Tx) och mottagarlisten (Rx) måste anpassas till varandra för att säkerställa att ljusridån fungerar tillförlitligt. <p>Finns det starka EMC-störningar, t.ex. från dörrenheten?</p> <ul style="list-style-type: none"> ▶ Drag inte cegard/Mini-MOD anslutningskablar nära högspänningskablar eller liknande. cegard/Mini-MOD-kablarna bör också monteras så långt bort som möjligt från dörrmotor eller motorns omformare (VVVF-enheter) för att undvika EMI problem. <p>Finns det kraftiga ljusstörningar, t.ex. från lysrör?</p> <ul style="list-style-type: none"> ▶ Installera inte cegard/Mini-MOD mottagare lister så att de direkt utsatta för ljuskällor som FL-rör eller lågenergilampor.
Dörren stängs endast när ett föremål bryter strålarna.	<p>Är reläutgångslogiken rätt inställd?</p> <ul style="list-style-type: none"> ▶ Kontrollera om hissen/dörrcentralen behöver en normalt öppen eller normalt sluten logik.
Slumpmässig öppning av dörren	<p>Är antingen sändarens eller mottagarens kablar skadade?</p> <ul style="list-style-type: none"> ▶ Kontrollera för hand om det finns brott på kablarna. <p>Finns det någon störning på sändaren utgående från andra infraröda sensorer (antingen direkt eller via spegling från blanka ytor)?</p> <ul style="list-style-type: none"> ▶ Undvik störningar från blinkande lampor eller infraröda ljuskällor som fotoceller eller andra ljusridåer. ▶ Reflekterande ytor i närheten av eller parallellt med det skyddade området kan ge upphov till reflexer.

Om problemet kvarstår skall man kontakta en lokal CEDES representant. Besök www.cedes.com för kontaktuppgifter.

7. Underhåll

Även om cegard/Mini-MOD-systemet inte behöver periodiskt underhåll, funktionskontroll åtminstone med varje hiss och en underhållskontroll rekommenderas. Denna återkommande funktionstest bör bestå av följande: De optiska sensorelementen är fria från smuts och damm. Vid behov skall man rengöra den främre ytan med en mjuk duk.

- ▶ Testa öppningsfunktionen över hela dörrområdet. Dörren ska öppnas igen om ett objekt placeras någonstans mellan tröskeln och upp till 1800 mm (standardkonfiguration) över tröskeln.
- ▶ Rengör den främre ytan av mottagaren och sändaren med en mjuk duk från damm och smuts. Detta är särskilt viktigt när dörrlisterna installerats innan byggarbetena är klara på byggnaden (kanske varje vecka under konstruktion). För att rengöra ytan med en duk, måste den vara antingen torr eller lätt fuktad, men inte våt.
- ▶ Se till listerna sitter fast ordentligt på dörrbladen och dörrposten.
- ▶ Se till att kablarna är korrekt dragna så som beskrivs i motsvarande installationsinstruktioner som medföljer monteringsatsen.

OBS

Skador på de optiska elementen

- ▶ Använd inga aggressiva rengöringsmedel / lösningsmedel som aceton eller tri-klorid eller mekaniskt slipande dukar att rengöra siktskydden, mottagarlisten (Rx) eller sändarlisten (Tx) eftersom detta sannolikt orsakar skador.
- ▶ Vi rekommenderar att du använder ett normalt fönsterputsmedel eller tvål och vatten för rengöringen.

8. Sophantering

cegard/Mini-MOD-systemet bör endast ersättas om ett liknande dörrskydd är installerat. Skrotningen bör ske genom toppmodern återvinningsteknik enligt lokala regler och föreskrifter.

Inga skadliga material används vid konstruktion och tillverkning av ljusridån. Spår av farliga material kan användas i de elektroniska komponenterna, men inte i mängder som är skadliga för hälsan.

Technical data

Optical

Operating range	0 ... 5 m
No. of optical elements	16 / 24 / 32 / 36
No. of beams with	
- 16 elements	74 beams
- 24 elements	114 beams
- 32 elements	154 beams
- 36 elements	174 beams remain active to complete door closure
Wavelength IR	925 nm
Max. ambient light	100,000 Lux

Mechanical

Cross section	12 mm × 16 mm (0.47 in × 0.63 in)
Housing material	Natural or black anodized aluminum
Enclosure rating	
- Opto edges	IP65 / (IP67)
- Control unit	IP54
Temperature range	-20 °C ... +60 °C

Electrical

Supply voltage U_{sp}	20 ... 265 VAC 20 ... 375 VDC
Max. current consumption	80 mA at 24 VDC 45 mA at 240 VAC
Relay output	Max. 250 VAC / 5 A Max. 125 VDC / 0.5 A Max. 30 VDC / 5 A Min. 5 VDC / 10 mA
Typ. response time with	
- 16 elements	80 ms
- 24 elements	105 ms
- 32 elements	130 ms
- 36 elements	130 ms

General

EMC emission	EN 12015:2014
EMC immunity	EN 12016:2013
Vibration	IEC 60068-2-6:2007
Shock	IEC 60068-2-27:2008
Cable durability	IEC 60227-2:2003
RoHS	2011/65/EU
Certificates	CE, CSA

Connection cable

Emitter

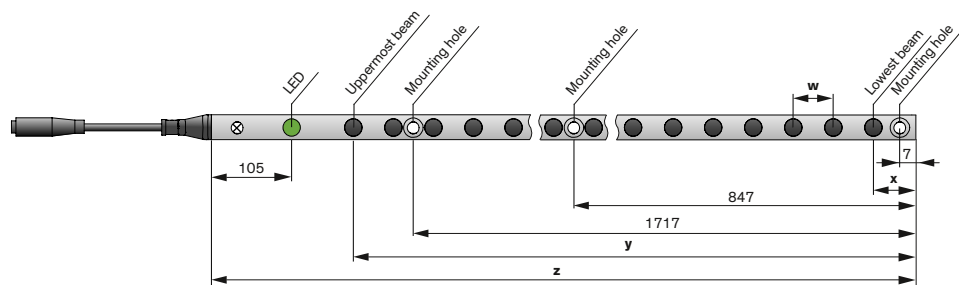
Cable length	5 m
Diameter	Ø 3.5 mm
Material	PVC, black
Connection	M8, 4-pin
Plug color	White

Receiver

Cable length	5 m
Diameter	Ø 3.5 mm
Material	PVC, black
Connection	M8, 4-pin
Plug color	Blue

Dimensions

Light curtains (all dimensions in mm)



	16 elements	24 elements	32 elements	36 elements	36 elements
w	120	70	57.4	45.1	45.1
x	22	20	20	20	20
y	1822	1630	1800	1600	1600
z	2000	1900	2000	1900	2000

Universal Power Supply (all dimensions in mm)

